

Rannie[®] 57T / Gaulin[®] 57T



The APV® 57T homogeniser is a three-plunger reciprocating pump, fitted with hydraulically actuated homogenising valves.

The APV 57T incorporates a durable slow-speed Power End in a low and compact design, for optimal performance and reliability.

One point of control and direct visibility to all internal and external indicators, combined with easy access to all service areas, saves time and money by simplifying inspection and reducing maintenance to a minimum.

SPX FLOW, Inc. (NYSE:FLOW) is a leading manufacturer of innovative flow technologies, many of which help define the industry standard in the market segments they serve. From its headquarters in Charlotte, North Carolina, it operates a sales and support network, centres of manufacturing excellence, and advanced engineering facilities, throughout the world. Its cutting-edge flow components and process equipment portfolio includes a wide range of pumps, valves, heat exchangers, mixers, homogenisers, separators, filters, UHT, and drying technology that meet many application needs. Its expert engineering capability also makes it a premium supplier of customised solutions and complete, turn-key packages to meet the most exacting of installation demands.

Incorporating many leading brands, SPX FLOW has a long history of serving the food and beverage, power and energy, and industrial market sectors. Its designs and engineered solutions help customers drive efficiency and productivity, increase quality and reliability, and meet the latest regulatory demands. In-depth understanding of applications and processes, state-of-the-art Innovation Centres, and advanced pilot/testing technology further assist in optimising processes and reducing timescales to reliably meet production targets.

To learn more about SPX FLOW capabilities, its latest technology innovations and complete service offerings, please visit www.spxflow.com.

APV® Rannie and Gaulin 57T Homogeniser

The more modular and flexible design of the APV 57T makes it suitable for a wide range of applications in dairy, food, beverage, industrial and pharmaceutical industries. Homogenising valves can easily be changed to accommodate different types of product and/or capacities on the same homogeniser.

Liquid End options include the Rannie three-piece valve housing and the Gaulin mono-block design, both available with a choice of valves, plungers and packings according to your requirements.

Design features of Rannie, Gaulin and the new Power End simplify routine maintenance with emphasis on reliability and sturdiness in order to reduce total costs of ownership.

NEW AND IMPROVED OPERATING BENEFITS

Optimal Operator Interface

- All controls placed logically together
- Gauges and other visual indicators are visible from the operating position
- Direct view of key power end check points through a window
- Modular electrical controls



High reliability

- Internal gear transmission
- Enhanced oil treatment and cooling system with oil filter as standard
- Low centre of gravity for reduced vibration

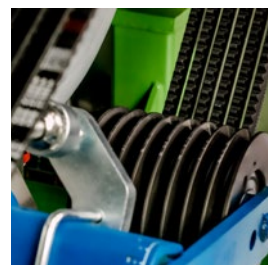


Maintenance friendly design

- Easy access for servicing, reduced maintenance time
- Low machine height for ergonomic access
- Visual service indicators
- Improved cooling and oil treatment indicators
- Access to electric control box from the outside
- Built-in belt tensioner



Balanced low speed crankshaft for reduced noise





Rannie Three-Piece Valve Housing

**RANNIE MODEL 57T / THREE-PIECE VALVE HOUSING
POPPET AND BALL VALVES**

TYPE	US UNITS		METRIC UNITS	
	CAPACITY GPH	PRESSURE PSI	CAPACITY LPH	PRESSURE BAR
75.95	3,550	1,885	13,500	130
70.95	3,300	2,175	12,500	150
65.95	2,685	2,500	10,175	170
60.95	2,380	2,900	9,000	200
54.95	1,980	3,625	7,500	250
50.95	1,660	4,350	6,300	300
42.95	1,160	5,800	4,400	400
35.95	770	8,700	2,900	600
30.95	555	11,600	2,100	800
25.95	370	14,500	1,400	1,000
22.95	210	17,400	800	1,200
20.95	160	21,750	600	1,500



Gaulin Mono-Block Valve Housing

**GAULIN MODEL 57T / MONO-BLOCK VALVE HOUSING
POPPET AND BALL VALVES**

TYPE	US UNITS		METRIC UNITS	
	CAPACITY GPH	PRESSURE PSI	CAPACITY LPH	PRESSURE BAR
POPPET TYPE VALVES				
1.5P	4,225	1,500	16,000	100
2.0P	3,175	2,000	12,000	140
2.5P	2,650	2,500	10,150	170
3.0P	2,250	3,000	8,500	210
3.6P	1,875	3,600	7,100	250
4.3P	1,590	4,300	6,000	300
5.8P	1,160	5,800	4,400	400
BALL TYPE VALVES				
1.5B	3,950	1,500	14,950	100
2.0B	3,000	2,000	11,350	140
2.5B	2,640	2,500	10,000	170
3.0B	2,200	3,000	8,300	210
3.6B	1,780	3,600	6,750	250
4.3B	1,450	4,300	5,500	300
5.8B	1,025	5,800	3,900	400
8.7B	715	8,700	2,700	600

Features and Options

THE LIQUID END INCLUDES

- Pressure gauges
- Pressure relief valve
- Weld-stub product connections
- 3-A sanitary design in stainless steel or duplex materials
- Ball or poppet pump valves
- Hard metal coated long life plungers
- Hydraulic valve actuator for smooth and stable control
- Single or two stage homogenising valve, to meet your application requirements

THE POWER END INCLUDES

- Internal gear and self-adjusting belt tightener
- Oil cooling system with external plate heat exchanger and temperature transmitter
- Oil filter including alarm

OTHER STANDARD FEATURES

- All equipment wired to stainless steel control cabinet
- Emergency stop
- Stainless steel sanitary cladding
- Inspection window for key operating indicators
- Set of tools
- Set of packings

STANDARD OPTIONS

- Start/stop buttons
- Alternative product connections e.g. tri-clamp, high-pressure outlet, dual inlet
- Automatic hydraulic actuators and 4-20mA gauges for remote operation
- Potentiometer-controlled electrical valves for hydraulic actuators
- Plunger lubrication control package including flow switch and solenoid valve
- Inlet pressure gauge with low pressure switch
- Outlet pressure gauge or transmitter
- Aseptic cylinder design
- Sanitary pulsation dampener(s): inlet and outlet
- Micro-Gap valve for increased efficiency and reduced energy consumption
- Motor starter cabinet
- Control cabinet with PLC or relay operation
- Low-noise insulated extension for liquid end
- Ceramic plungers
- Choice of materials for cylinder block, pump valves, homogenising valves, packings, etc.
- Enhanced spare parts kit

OTHER OPTIONS ON REQUEST

- Various enhanced liquid end block designs for special applications
- Actuated pressure relief valve
- Vibration sensors
- Explosion-proof design
- Electro-polished wetted parts
- UFO – Oil Filtration system
- Documentation packages for material traceability, certification and cGMP support

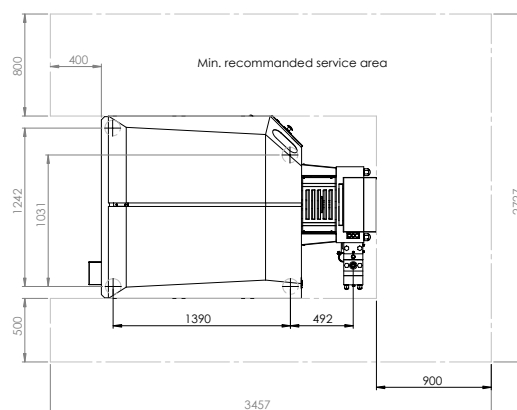
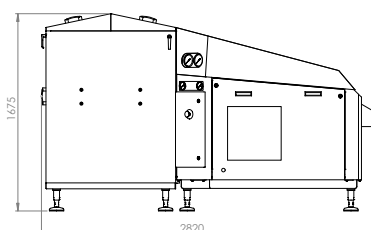
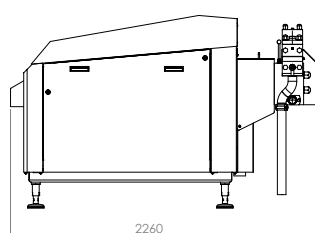
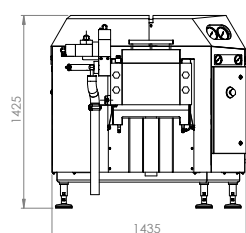
Rannie® 57T

Gaulin® 57T

SPXFLOW

DIMENSIONS	LENGTH IN / MM	WIDTH IN / MM	HEIGHT IN / MM	WEIGHT (INCL. MOTOR) LBS. / KG
STANDARD MACHINE	89 / 2,260	56.5 / 1,435	56 / 1,425	5,725 / 2,600
PACKED IN CRATE	118 / 3,000	71 / 1,800	71 / 1,800	6,600 / 3,000
STANDARD INCL. LOW NOISE EXTENSION	111 / 2,820	64 / 1,630	66 / 1,680	6,850 / 3,100

CUBIC MEASURE OF STANDARD CRATING: 9.72 M³



TECHNICAL SUMMARY

Gross Weight	3,000 kg
Net Weight	2,600 kg
No. of plungers	3

Lubrication Water Flow rate	150 l/hr
Cooling Water Flow rate	150 l/hr
Power End Oil Volume	50 l

Based in Charlotte, North Carolina, SPX FLOW, Inc. (NYSE: FLOW) is a multi-industry manufacturing leader. For more information, please visit www.spxflow.com

AMERICAS

SPX FLOW

611 Sugar Creek Road

Delavan, WI 53115

USA

+1 262 728 1900

APAC

SPX FLOW

7F, No. 1568, Huashan Road

Shanghai, 200052

China

+86 21 2208 5888

EMEA

SPX FLOW

Oestmarken 7,

2860 Soeborg

Denmark

+45 70 278 222

SPX FLOW, Inc. reserves the right to incorporate our latest design and material changes without notice or obligation.

Design features, materials of construction and dimensional data, and certifications as described in this bulletin, are provided for your information only and should not be relied upon unless confirmed in writing. Please contact your local sales representative for product availability in your region. For more information visit www.spxflow.com.

The green "S" and "X" are trademarks of SPX FLOW, Inc.

APV_Homogeniser-57T_3176_BRO_GB

Version: 03/2020

COPYRIGHT © 2020 SPX FLOW, Inc.

Identification Number: APV-3176-GB