



**BOLTING FLOW CONTROL VALVE**

- ▶ Allows the operator to position the torque wrench with zero risk of entrapment or nipped fingers
- ▶ Suitable for hydraulic tool applications where local isolation and operator control is required
- ▶ Isolates the wrench whilst operator carries out drive direction changes, link switch over on low profile tools

**Features & Benefits**

- Pressure balanced spool mechanism allowing for easier trigger pull/squeeze effort (fatigue reduction)
- Two-stage trigger system (interlock and trigger) preventing accidental operation/advancement of the tool
- 2:1 Safety Factor (pressure test min 20,000 psi / 1380 bar)
- Can be used with any hydraulic torque wrench

**▶ Other Related Items**



**Pumps**

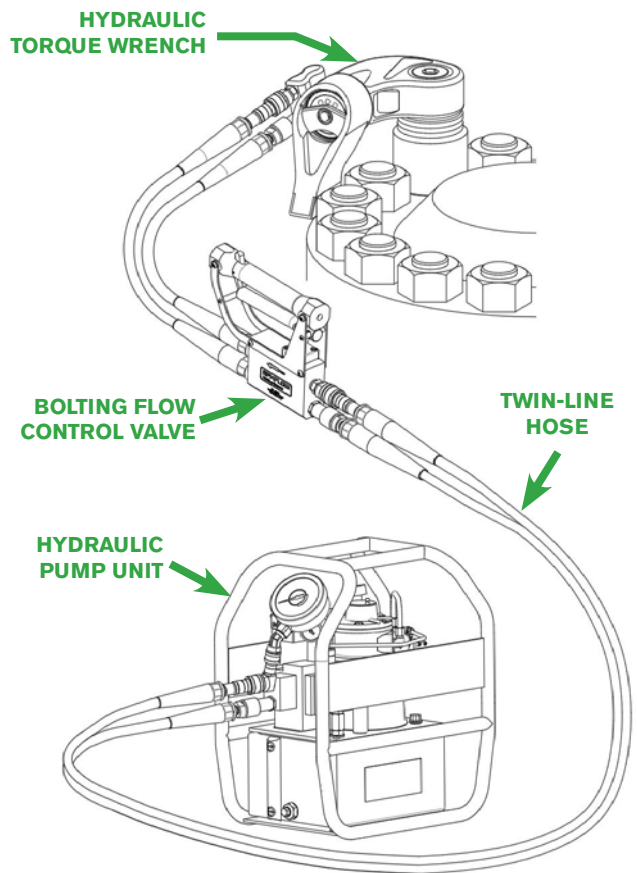


**Wrenches**



**Hoses**

Refer to the Bolting Systems catalog or website for more details.



**▶ Technical Dimensions**

	<b>Part No.</b>	<b>A</b>	<b>B</b>	<b>C</b>	<b>D</b>	<b>Weight</b>
	<b>4000148</b>	In (mm)	In (mm)	In (mm)	In (mm)	Lbs (kg)
		10.382 (264)	30.75 (781)	1.883 (48)	7.609 (193.5)	6.19 (3.13)

Specifications subject to change without notice

## SALES, SERVICE AND RENTAL CENTERS

### USA

**Houston, Texas USA**  
3106 E. Pasadena Frwy  
Pasadena, TX 77503 USA  
Tel: +1 713 472 2500  
Fax: +1 713 472 2501

[houston@spxboltingsystems.com](mailto:houston@spxboltingsystems.com)

### Corpus Christi, Texas USA

4930 Gemini  
Corpus Christi, Texas 78405 USA  
Tel: +1 361 445 3727  
Fax: +1 361 445 3728

[corpus@spxboltingsystems.com](mailto:corpus@spxboltingsystems.com)

### Gonzales, Louisiana USA

3141 S. Darla Avenue  
Gonzales, Louisiana 70737 USA  
Tel: +1 225 774 0888  
Fax: +1 225 450 2211

[louisiana@spxboltingsystems.com](mailto:louisiana@spxboltingsystems.com)

### Sulphur, Louisiana USA

329 N. Beglis Parkway  
Sulphur, Louisiana 70663 USA  
Tel: +1 337 528 2500  
Fax: +1 337 528 2800

[louisiana@spxboltingsystems.com](mailto:louisiana@spxboltingsystems.com)



Visit us at [spxboltingsystems.com](http://spxboltingsystems.com)

### UK

**Aberdeen, UK**  
Tel: +44 1224 756100  
[aberdeen@spxboltingsystems.com](mailto:aberdeen@spxboltingsystems.com)

### Europe

Albert Thijsstraat 12  
6471 WX Eygelshoven  
The Netherlands  
Tel: +31 45 567 8877  
[europa@spxboltingsystems.com](mailto:europa@spxboltingsystems.com)

### India

SPX Flow Technology (India) Pvt. Limited  
Survey No. 275  
Odhav, Ahmedabad - 382 415  
Tel: +91-99099-85454  
+91-97277-19950

[india@spxboltingsystems.com](mailto:india@spxboltingsystems.com)

## ENGINEERING, MANUFACTURING AND SUPPORT CENTERS

### Rockford, Illinois USA

5885 11th Street  
Rockford, IL 61109 USA  
Tel: +1 815 874 5556  
Fax: +1 800 288 7031  
[info@spxboltingsystems.com](mailto:info@spxboltingsystems.com)

### SEA

20 Pioneer Crescent #06-01  
West Park BizCentral  
Singapore 628555  
Tel: +65 6265 3343  
Fax: +65 6265 6646  
[singapore@spxboltingsystems.com](mailto:singapore@spxboltingsystems.com)

### China

No. 1568 Hua Shan Road  
Treasury Building, 7th Floor  
Shanghai 200052, China  
Tel: +86 21 2208 5660/5659/5667  
Fax: +86 21 2208 5682  
[china@spxboltingsystems.com](mailto:china@spxboltingsystems.com)

### Australia

SPX Flow Technology Australia Pty Ltd  
Quad 2, 6 Parkview Drive  
Homebush Bay NSW 2127  
Tel: +61 02 9763 4900  
Fax: +61 02 9763 7888

[ft.aus.cs@spxflow.com](mailto:ft.aus.cs@spxflow.com)

### Ashington, UK

Wansbeck Workspace  
Rotary Parkway  
Ashington  
Northumberland NE63 8QZ  
Global Technical Assistance, UK  
+44 1670 850580  
[boltingsupport@spxflow.com](mailto:boltingsupport@spxflow.com)

Distributed by:

**> Bolting Systems®**

SPX FLOW, Inc. reserves the right to incorporate our latest design and material changes without notice or obligation.

Design features, materials of construction and dimensional data, as described in this bulletin, are provided for your information only and should not be relied upon unless confirmed in writing. Please contact your local sales representative for product availability in your region. For more information visit [www.spxflow.com](http://www.spxflow.com).

The green ">" and "X" are trademarks of SPX FLOW, Inc.

BS\_BFCV1911-US Version: 11/2019

COPYRIGHT © 2019 SPX FLOW INC.