

# › Bolting Systems™

[spxboltingsystems.com](http://spxboltingsystems.com)



## HYDRAULIC SPREADER KITS



15 TON WEDGE-DRIVEN SPREADER

**SPX®**

**Order No.: FLS15**

With serrated shoes - shown in wedge fully open position.



**Order No.: FLS15-ST**

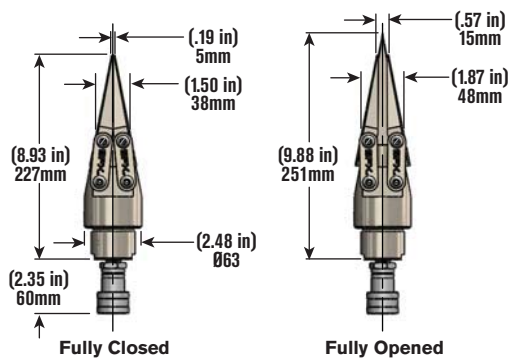
With stepped shoes - shown in wedge closed position.



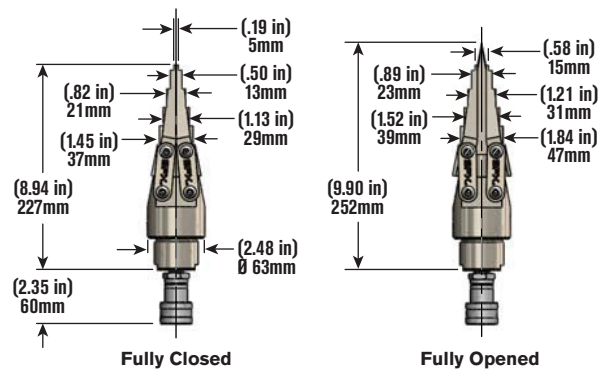
**Features & Benefits**

- 33,000 pound (15 metric ton) spreader features an incorporated wedge design that provides structural support to the shoes throughout the tool range to maximize tool longevity and performance.
- Jaws fully supported by wedge for excellent durability
- Ideal for flanges with narrow gaps - only 5 mm (.2 inches) required for entry
- Compact and lightweight design - only 287 mm (11.28 inches) long at a weight of 3.2 kg (7 pounds)
- Suitable for the offshore environment due to superior corrosion resistance
- Quick adjustments for various tasks due to interchangeable shoes (both stepped and serrated)
- Includes female half coupler - mates to standard 3/8" male half coupler (No. 9798).

**▶ FLS15 Serrated Shoe Spreader**



**▶ FLS15-ST Stepped Shoe Spreader**



**▶ Ordering Information**

Order No.	Shoe Type	Maximum Spreading Force	Minimum Tip Clearance	Maximum Tip Spread	Spreader Type	Oil Capacity	Weight	Maximum Operating Pressure
		Metric Tons (lb)	mm (in)	mm (in)		cc (in <sup>3</sup> )	kg (lb)	bar (psi)
FLS15	Serrated	15 (33,000)	5 (0.19)	15 (.57)	Hydraulic	16 (1)	3.2 (7)	700 (10,000)
FLS15-ST	Stepped							

▶ **Topside Flange Spreader Kit**



**Features & Benefits**

- Standard duty blow molded case organizes and protects the complete spreading kit
- Extra storage space for additional step shoes and up to 3 step blocks
- CE kits designed for European market and have a “bar” gauge
- Non-CE kits are for American market and have a “psi” gauge

Order No.		Kit Contents							
		FLS15	FLS15-ST	SB15	P19L			2008410	2008650
		Hydraulic Spreader, Serrated Shoes	Hydraulic Spreader, Stepped Shoes	Aluminum Holding Block	Lightweight Hand Pump	Manifold Assembly	Hoses	Handle for Spreader	Standard Case
FLS15-FBK	CE	2	-	2	1	1	3	2	1
FLS15-MBK	CE	1	-	3	1	-	1	1	1
FLS15-FBK-ST	CE	-	2	2	1	1	3	2	1
FLS15-MBK-ST	CE	-	1	3	1	-	1	1	1
FLS15-FBP		2	-	2	1	1	3	2	1
FLS15-MBP		1	-	3	1	-	1	1	1
FLS15-FBP-ST		-	2	2	1	1	3	2	1
FLS15-MBP-ST		-	1	3	1	-	1	1	1

▶ **Offshore Flange Spreader Kit**



**Features & Benefits**

- Heavy duty case is more rugged and compact, ideal for offshore applications
- Weather proof gasket seal and pressure equalization valve on the case
- Tighter product spacing for easier helicopter transport
- Gauges on manifold assembly display “bar” as primary units and “psi” as secondary

Order No.		Kit Contents							
		FLS15	FLS15-ST	SB15	P19L			2008577	3008832
		Hydraulic Spreader, Serrated Shoes	Hydraulic Spreader, Stepped Shoes	Aluminum Holding Block	Lightweight Hand Pump	Manifold Assembly	Hoses	Heavy Duty Case, Large	Heavy Duty Case, Small
FLS15-FSK	CE	2	-	2	1	2	3	1	-
FLS15-FSK-ST	CE	-	2	2	1	2	3	1	-
FLS15-MSK	CE	1	-	1	-	-	-	-	1
FLS15-MSK-ST	CE	-	1	1	-	-	-	-	1

# › Bolting Systems™

## SALES, SERVICE AND RENTAL CENTERS

### Houston, Texas USA

3030 E. Pasadena Frwy  
Pasadena, TX 77503  
USA  
Tel: +1 713 472 2500  
Fax: +1 713 472 2501  
houston@spxboltingsystems.com

### Baton Rouge, Louisiana USA

12742 Ronaldson Road  
Baton Rouge, LA 70807  
USA  
Tel: +1 225 774 0888  
Fax: +713 472 2501  
louisiana@spxboltingsystems.com

### Rockford, Illinois USA

5885 11th Street  
Rockford, IL 61109  
USA  
Tel: +1 815 874 5556  
Fax: +1 800 288 7031  
info@spxboltingsystems.com

## ENGINEERING, MANUFACTURING AND SUPPORT CENTERS

### World Headquarters

5885 11th Street  
Rockford, IL 61109, USA  
Tel: +1 815 874 5556  
Fax: +1 800 288 7031  
info@spxboltingsystems.com

### European Headquarters

Albert Thijsstraat 12  
6471 WX Eygelshoven  
The Netherlands  
Tel: +31 45 567 8877  
Fax: +31 45 567 8878  
europe@spxboltingsystems.com

### Aberdeen, UK

Howemoss Drive  
Kirkhill Industrial Estate  
Dyce AB21 0GL  
Tel: +44 1224 722 895  
Fax: +44 1224 729 712  
aberdeen@spxboltingsystems.com

### Brazil (Coming Soon)

Tel: +55 11 983 392196  
brazil@spxboltingsystems.com

### UAE (Coming Soon)

uae@spxboltingsystems.com

### Ashington, UK

Unit 4, Wansbeck Business Park  
Rotary Parkway  
Ashington  
Northumberland NE63 8QW  
europe@spxboltingsystems.com

### Asia Pacific Headquarters

26 Soon Lee Road  
Singapore 628086  
Singapore  
Tel: +65 6265 3343  
Fax: +65 6265 6646  
singapore@spxboltingsystems.com

### Shanghai, China

No. 1568 Hua Shan Road  
Treasury Building, 7th Floor  
Shanghai 200052, China  
Tel: +86 21 2208 5660/5659/5667  
Fax: +86 21 2208 5682  
china@spxboltingsystems.com

### Perth, Australia

46 Callaway Street  
Wangara, 6065  
Perth, Western Australia  
Tel: +61 8 9358 6699  
Fax: +61 8 9358 6700  
australia@spxboltingsystems.com

Visit us at [spxboltingsystems.com](http://spxboltingsystems.com)



**Flange Pro**

Our newest innovation is FLANGEPRO, a software solution offering the ultimate secure, safe and traceable flange management system. FLANGEPRO has been designed to improve safety, reduce risk and save money, protecting assets,...

[LEARN MORE](#)

**Bolting Systems: Your Partner In High Quality Bolting Tools**

 <p>ISP Pump Infinite Stage Pumps</p> <p><a href="#">LEARN MORE</a></p>	 <p>TWHC High Cycle Torque Wrenches</p> <p><a href="#">LEARN MORE</a></p>	 <p>PEM Compact Torque Wrench Pumps</p> <p><a href="#">LEARN MORE</a></p>
--	--	--



Distributed by:

# SPX®