

Gerstenberg Schröder Nexus ERS Pilot Plant

EMULSIFICATION

GS Nexus ERS Pilot Plant Benefits:

FLEXIBILITY

The GS Nexus ERS pilot plant is an emulsifying system that provides you with everything you need for optimal small-scale production of mayonnaise, dressings and sauces.

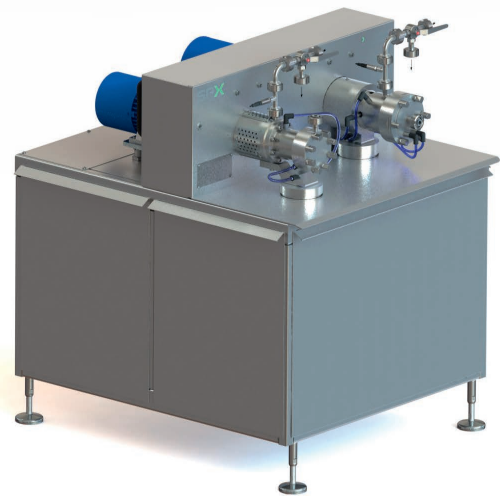
The basic model is a highly flexible modular unit based on a table design with 2 positions for an emulsifying machine type EG and a visco rotor type RL. It can easily be connected to other Nexus pilot plant units such as SSHE, BGS and pin rotor machines. The flexible connection pipes which combine the various units are easy to mount and dismount. It facilitates fast set-up alterations according to processing or application changes. Even the motors are easily changed, when needed. The GS Nexus ERS pilot plant is operated by the GS Logic Professional system which includes a SCADA system with a built-in touch screen interface.

HOMOGENEOUS OIL DROP SIZE

The oil-in-water (o/w) pre-emulsion is produced in the EG machine and is hereafter processed under a high shear in the visco rotor by a specially designed spiral gearing. This ensures that the oil drops are continuously reduced in size and distributed homogeneously.

EASY SCALE-UP

The GS Nexus ERS pilot plant gives you the opportunity to process small-scale samples under exactly the same conditions as those generated in large-scale production facilities.



EASY MAINTENANCE AND CLEANING

The optimised and streamlined design allows easy cleaning and service of all parts which decreases downtime.

CAPACITY

50-100 kg/h.

PRODUCT PRESSURE

Maximum 25 bar.

COOLING REQUIREMENTS

Cooling water requirement 120 l/h.

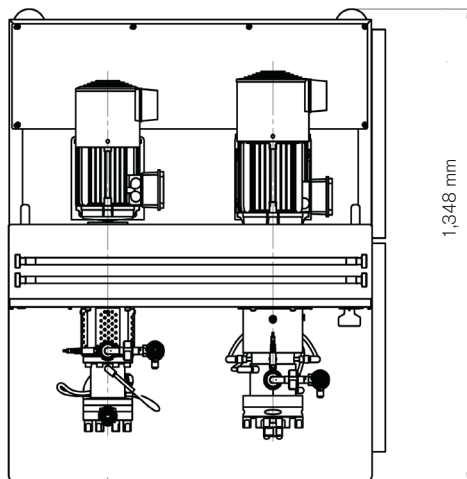
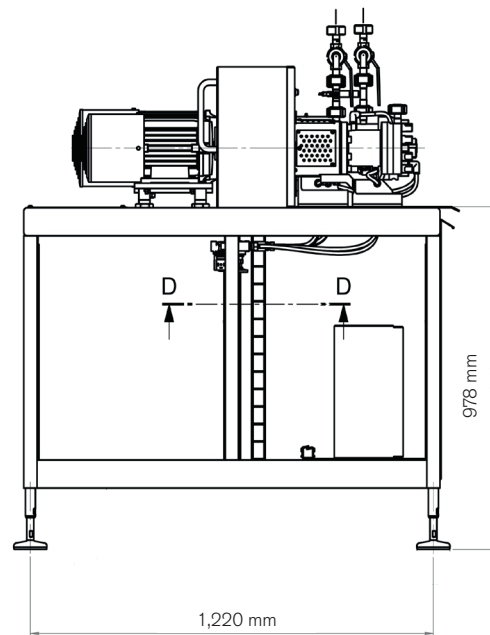
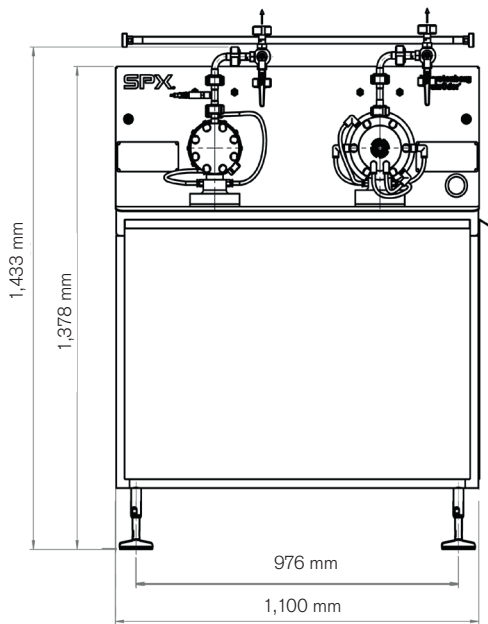
CERTIFICATION

Made in conformity with the European Machinery Directive 2006/42/EC and the Pressure Equipment Directive (PED) 2014/68/EU.

GS NEXUS ERS PILOT PLANT	MAX. CAPACITY [KG/H]	MAX. PRESSURE [BAR]
	50-100*	25

* Mentioned capacities refer only to the production of mayonnaise with an oil content of approx 80%.

GS NEXUS ERS	MOTOR [kW]	ROTOR SPEED [RPM]	DIMENSIONS (WxH) MM
EMULSIFYING MACHINE	3.0	1,200-2,700	80x120
VISCO ROTOR TYPE RL	3.0	500-3,500	100x50



GS Nexus ERS 100 pilot plant

SPXFLOW

SPX FLOW Oestmarken 7, 2860 Soeborg, Denmark

P: +45 70 278 222, F: +45 70 278 223

E: gs.dk.sales@spxflow.com · www.spxflow.com

SPX FLOW reserves the right to incorporate our latest design and material changes without notice or obligation. Design features, materials of construction and dimensional data, as described in this bulletin, are provided for your information only and should not be relied upon unless confirmed in writing. Please contact your local sales representative for product availability in your region. For more information visit www.spxflow.com. The green ">" is a trademark of SPX FLOW, Inc.

GS_Nexus-ERS-Pilot-Plant_406_DST_GB VERSION 04/2021

COPYRIGHT © 2016 SPX FLOW, Inc.