

The logo for SPXX, featuring the letters 'SP' in a dark grey, bold, sans-serif font, followed by 'XX' in a bright green, bold, sans-serif font. A registered trademark symbol (®) is located to the right of the second 'X'.

**SPXX**®

A green arrow icon pointing to the right, positioned to the left of the tagline.

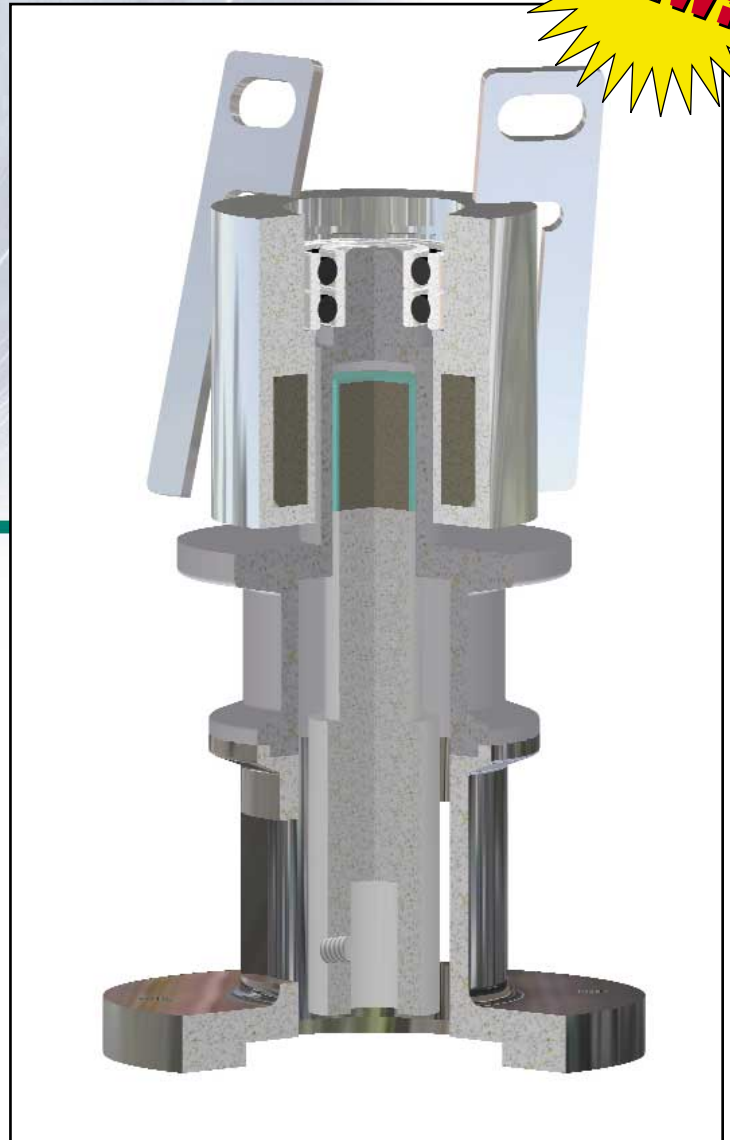
**Where Ideas Meet Industry**



# MagMixer MBI 205

Superior cleanability,  
durability and  
performance

LIGHTNIN's new MBI 205 MagMixer is the latest extension of the already popular MBI MagMixer family, and further establishes the series for its benchmark cleanability, durability and performance. Features include a dry-running Hyper-Flo™ bearing design, one piece tank plate and flow-through channels for total removal of contamination concerns. These technologically-advanced mixers are fast-becoming the critic's choice for sanitary processing and storage applications – including plasma fractions, vaccines, injectables and media suspensions.

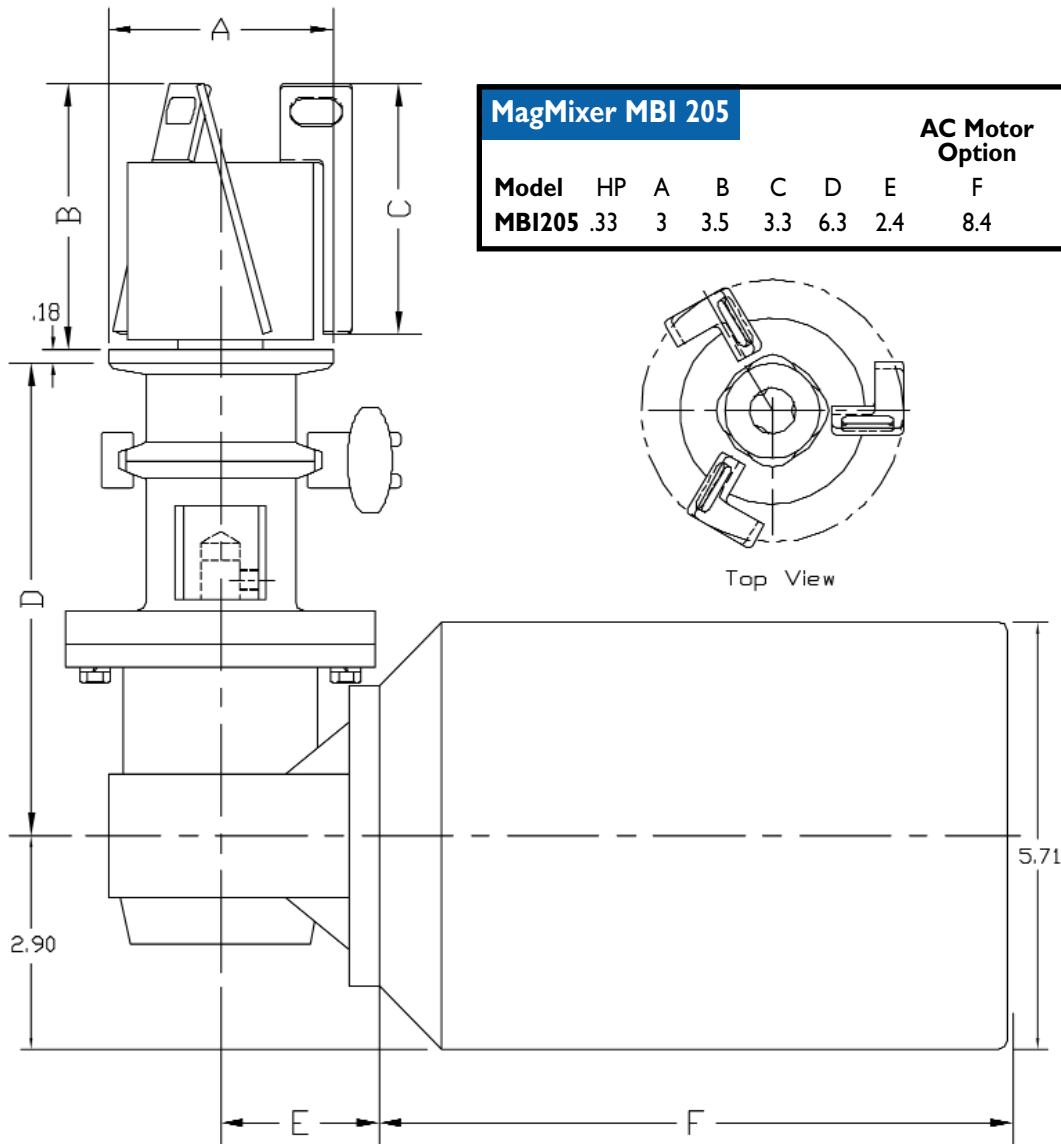


## An Exceptionally Versatile Mixer

- Suitable for solutions in closed tanks from 20 liters.
- Hyper-Flo™ bearing will not fracture due to rough handling.
- Advanced three-blade impeller increases flow by 30% for improved mixing.
- Bottom-entry design provides low center of gravity on mobile units for increased stability during transport.
- Easily maintained on site, in seconds.
- Common spare parts available over the entire mixer range.
- Comes with LIGHTNIN's 100% process guarantee.

## Unparalleled Cleanability

- Full CIP cleanability over a wide range of protocols and applications – including flooding or spray ball.
- Can be run dry to permit complete draining during CIP cycles.
- Stainless steel tank plate and flow-through channels eliminate contamination concerns.
- Bearings can be removed easily using a pair of snap-ring pliers.



### MagMixer MBI 205

Model	HP	A	B	C	D	E	AC Motor Option F	DC Motor Option F	Impeller Diameter
<b>MBI205</b>	.33	3	3.5	3.3	6.3	2.4	8.4	13	3.5

Top View

## QAD for cGMP requirements

To demonstrate that FDA-mandated Good Manufacturing Practices (cGMP) guidelines have been met, biotechnology and pharmaceutical customers may also order Quality Assurance Documentation (QAD) when they purchase an MBI MagMixer. To order a QAD, talk to your LIGHTNIN Sales Representative or authorized LIGHTNIN Service Center.

## Call the LIGHTNIN experts

For more information about the MBI MagMixer Series or to discuss your application, contact your local LIGHTNIN Sales Representative. Or visit our website at [www.lightninmixers.com](http://www.lightninmixers.com) Or call 1-888-MIX-BEST (U.S. and Canada), or 1(585) 527-1623 (Worldwide).



Global Headquarters  
13515 Ballantyne Corporate Place  
Charlotte, North Carolina 28277  
United States

**Where Ideas Meet Industry**

**Where Ideas Meet Industry**

[www.spx.com](http://www.spx.com)