

## Universal TS Series

ROTARY POSITIVE DISPLACEMENT TWIN SCREW PUMP

FORM NO.: 95-03141  
REVISION: 08/2019

READ AND UNDERSTAND THIS MANUAL PRIOR TO OPERATING OR SERVICING THIS PRODUCT.





## ADDING A POWERFUL NEW TOOL TO YOUR MAINTENANCE PROGRAM

SPX FLOW has recently launched its SPX Connect App allowing users the ability to access product support information 24/7 using a smart device with internet access.

A quick scan of the product's QR code will provide you with immediate access to:

- Product Descriptions and General Operating Specifications
- Maintenance Manuals and Documentation
- Maintenance Videos and Product Animations
- Distributor Look Up Feature
- Submit Quote Requests



SPX FLOW is committed to providing you with innovative products and technologies to help keep your process flowing. **Plan your next scan and download the Free SPX Connect App today.**

**To learn more about SPX Connect, contact SPX FLOW at 800.252.5200 or [wcb@spxflow.com](mailto:wcb@spxflow.com).**



**Waukesha Cherry-Burrell®**



## Declaration of Conformity for Pumps

SPX Flow US, LLC, 611 Sugar Creek Drive, Delavan, WI 53120, USA  
herewith declares that the

**pumps of the series**

**Universal TS**

**UTS 015, UTS 030, UTS 130, UTS 220**

meet the requirements of the Directives 2006/42/EC (superseding 89/392/EEC  
and 98/37/EC) and ProdSG (superseding GPSG - 9.GPSGV).

For official inspections, SPX Flow Technology Rosista GmbH presents  
a technical documentation according to Appendix VII of the Machinery Directive,  
this documentation consisting of documents of the development and construction,  
description of measures taken to meet the conformity and to correspond with  
the basic requirements on safety and health, include an analysis of the risks,  
as well as an operating manual with safety instructions.

The conformity of the pumps is guaranteed.

Authorised person for the documentation:  
SPX Flow Technology Rosista GmbH, Frank Baumbach,  
Gottlieb-Daimler-Str. 13, D-59439 Holzwickede

May 17, 2017

A handwritten signature in blue ink, which appears to read 'Frank Baumbach', is written over a horizontal dashed line.

Regional Eng Mgr, F&B Components

# CERTIFICATE OF COMPLIANCE

Valid until end: December, 2018



*TUM Certification  
hereby declares that the product*

**twin screw pump series UTS, size 015 to 220 with EPDM, FKM or FFKM gaskets  
and SiC, TC or C mechanical seal material**

*from*

**SPX Flow, Inc., Delavan, WI 53115, USA**

*has been evaluated for compliance with the  
Hygienic Equipment Design Criteria of the EHEDG, by:*

*TUM (Forschungszentrum für Brau- u. Lebensmittelqualität) at Weihenstephan, Germany  
and meets the criteria as demonstrated by:*

*Evaluation Report No. 577TUM2017*

Signed Jürgen Hofmann  
Dr. Jürgen Hofmann

*Evaluation Officer*

Signed Fritz Jakob  
Prof. Dr. Fritz Jakob

*Head of Department*

*Date of issue: 28 November 2017*

***Certificate No. 18/2017***



*85354 Freising-Weihenstephan, Germany  
©EHEDG*

SPX FLOW, Inc.  
611 Sugar Creek Road  
Delavan, WI 53115 USA

Tel: (800) 252-5200 or (262) 728-1900  
Fax: (800) 252-5012 or (262) 728-4904

E-mail: [wcb@spxflow.com](mailto:wcb@spxflow.com)  
Web site: [www.spxflow.com](http://www.spxflow.com)

Information contained in this manual is subject to change without notice and does not represent a commitment on the part of SPX FLOW, Inc.. No part of this manual may be reproduced or transmitted in any form or by any means, electronic or mechanical, including photocopying and recording, for any purpose, without the express written permission of SPX FLOW, Inc..

Copyright © 2019 SPX Corporation.  
All Rights Reserved.

Loctite® is a registered trademark of Henkel Corporation

Revision Date: 08/2019

Publication: 95-03141

<b>Warranty</b> .....	<b>8</b>
Shipping Damage or Loss .....	8
Warranty Claim .....	8
<b>Safety</b> .....	<b>9</b>
Warnings .....	10
<b>Replacement Labels</b> .....	<b>11</b>
<b>Care of Component Materials</b> .....	<b>12</b>
Stainless Steel Corrosion .....	12
Alloy 88 .....	12
Aluminum .....	12
Elastomer Seal Replacement Following Passivation .....	12
<b>Introduction</b> .....	<b>13</b>
Pump Receiving .....	13
Intended Use .....	13
Equipment Serial Number .....	13
Certifications .....	14
Operating Parameters .....	14
Qualification Guidelines for Operating Staff .....	15
<b>Installation</b> .....	<b>16</b>
Important Safety Information .....	16
Lifting .....	16
Install Pump and Drive Unit .....	18
Direction of flow .....	19
Install Connections and Piping .....	19
Install Check Valves .....	20
Install Isolation Valves .....	21
Install Relief Valves .....	21
Inlet Side Strainers and Traps .....	22
Install Pressure Gauges .....	22
Seal Flush Connections .....	22
CIP (Clean-In-Place) Features .....	23
Check Angular Alignment .....	23
Check Coupling Alignment .....	24
Check Parallel Alignment .....	24
Check Belt and Chain Drive Alignment .....	24
<b>Operation</b> .....	<b>25</b>
Important Safety Information .....	25
Pre-Startup Checklist .....	25
Starting the Pump .....	26
Stopping the Pump .....	26
<b>Maintenance</b> .....	<b>27</b>
Important Safety Information .....	27
Lubrication .....	28
Oil Specification .....	28
Maintenance Inspections .....	28
Maintenance Inspection Chart .....	29
Annual Maintenance .....	30
Cleaning .....	31
Fluid Head Disassembly .....	32
Remove cover .....	32
Remove screw nuts - All models except 220-UTS .....	33

Remove screw nuts - 220-UTS only .....	34
Remove screws .....	35
Remove seal cap and seal .....	36
Removing seal without removing body .....	37
Remove pump body .....	38
Double seal - remove seals .....	39
Single and double seal - remove seal carrier .....	40
Removing seal after body is removed .....	40
Fluid Head Assembly .....	42
Seal assembly .....	42
Installing seals before installing body .....	43
Install body .....	47
Installing seals after the body is installed .....	50
Seal cap assembly .....	51
Install screws .....	53
Screw nut assembly .....	55
Installing screw nuts - all models except 220-UTS .....	57
Installing screw nuts - 220-UTS only .....	58
Install cover .....	59
Gear Case Disassembly .....	61
Remove oil drain plugs and cover .....	61
Remove gear from short shaft .....	62
Remove gear from drive shaft .....	63
Remove shaft .....	63
Shaft disassembly .....	65
Gear Case Assembly .....	66
Shaft assembly .....	66
Install shafts in gear case .....	75
Install Bearing Retainers .....	78
Install Gears and Time Screws .....	81
Install gear on drive shaft .....	81
Install plugs, sight glass, eye bolts .....	83
Install gear on short shaft .....	84
Timing .....	85
Assemble and install gear case cover .....	89
Reference Tables .....	92
<b>Troubleshooting .....</b>	<b>93</b>
<b>Pump Dimensions .....</b>	<b>97</b>
Universal Twin Screw PD Pump Dimensions .....	97
Pump Shaft Guards .....	98
<b>Long Term Storage .....</b>	<b>99</b>
<b>Parts List .....</b>	<b>100</b>
015-UTS Parts .....	100
030-UTS Parts .....	104
130-UTS Parts .....	108
130-UTS Parts .....	109
220-UTS Parts .....	112
Universal Twin Screw Seal Parts .....	117
Universal Twin Screw Seal Kits .....	118
Special Tools .....	119
<b>Universal Twin Screw Maintenance Summary Reference Sheet .....</b>	<b>120</b>
<b>Universal Twin Screw Maintenance Summary Reference Sheet -   Copy for optional removal .....</b>	<b>121</b>

## Warranty

LIMITED WARRANTY: Unless otherwise mutually agreed to in writing, (a) SPX FLOW US, LLC (SPX FLOW) goods, auxiliaries and parts thereof are warranted to the Buyer against defective workmanship and material for a period of twelve (12) months from date of installation or eighteen (18) months from date of delivery, whichever expires first, and (b) SPX FLOW services are warranted to Buyer to have been performed in a workman-like manner for a period of ninety (90) days from the date of performance. If the goods or services do not conform to the warranty stated above, then as Buyer's sole remedy, SPX FLOW shall, at SPX FLOW's option, either repair or replace the defective goods or re-perform defective services. If Buyer makes a warranty claim to SPX FLOW and no actual defect is subsequently found, Buyer shall reimburse SPX FLOW for all reasonable costs which SPX FLOW incurs in connection with the alleged defect. Third party goods furnished by SPX FLOW will be repaired or replaced as Buyer's sole remedy, but only to the extent provided in and honored by the original manufacturer's warranty. Unless otherwise agreed to in writing, SPX FLOW shall not be liable for breach of warranty or otherwise in any manner whatsoever for: (i) normal wear and tear; (ii) corrosion, abrasion or erosion; (iii) any good or services which, following delivery or performance by SPX FLOW, has been subjected to accident, abuse, misapplication, improper repair, alteration (including modifications or repairs by Buyer, the end customer or third parties other than SPX FLOW), improper installation or maintenance, neglect, or excessive operating conditions; (iv) defects resulting from Buyer's specifications or designs or those of Buyer's contractors or subcontractors other than SPX FLOW; or (v) defects resulting from the manufacture, distribution, promotion or sale of Buyer's products; (vi) damage resulting from the combination, operation or use with equipment, products, hardware, software, firmware, systems or data not provided by SPX FLOW, if such damage or harm would have been avoided in the absence of such combination, operation or use; or (vii) Buyer's use of the goods in any manner inconsistent with SPX FLOW's written materials regarding the use of such product. In addition, the foregoing warranty shall not include any labor, dismantling, re-installation, transportation or access costs, or other expense associated with the repair or replacement of SPX FLOW goods. THE WARRANTIES CONTAINED HEREIN ARE THE SOLE AND EXCLUSIVE WARRANTIES AVAILABLE TO BUYER AND SPX FLOW HEREBY DISCLAIMS ANY OTHER WARRANTIES, EXPRESS OR IMPLIED, INCLUDING WITHOUT LIMITATION THE IMPLIED WARRANTIES OF MERCHANTABILITY AND FITNESS FOR A PARTICULAR PURPOSE, ANY PERFORMANCE OR PROCESS OUTCOME DESIRED BY THE BUYER AND NOT SPECIFICALLY AGREED TO BY SPX FLOW. THE FOREGOING REPAIR, REPLACEMENT AND REPERFORMANCE OBLIGATIONS STATE SPX FLOW'S ENTIRE AND EXCLUSIVE LIABILITY AND BUYER'S EXCLUSIVE REMEDY FOR ANY CLAIM IN CONNECTION WITH THE SALE AND FURNISHING OF SERVICES, GOODS OR PARTS, THEIR DESIGN, SUITABILITY FOR USE, INSTALLATION OR OPERATIONS.

## Shipping Damage or Loss

If equipment is damaged or lost in transit, file a claim at once with the delivering carrier. The carrier has a signed Bill of Lading acknowledging that the shipment has been received from SPX FLOW in good condition. SPX FLOW is not responsible for the collection of claims or replacement of materials due to transit shortage or damages.

## Warranty Claim

Warranty claims must have a **Returned Material Authorization (RMA)** from the Seller or returns will not be accepted. Contact 800-252-5200 or 262-728-1900.

Claims for shortages or other errors must be made in writing to Seller within ten (10) days after delivery. This does not include transit shortage or damages. Failure to give such notice shall constitute acceptance and waiver of all such claims by Buyer.



## Safety

### READ AND UNDERSTAND THIS MANUAL PRIOR TO INSTALLING, OPERATING, OR SERVICING THIS EQUIPMENT

SPX FLOW recommends users of our equipment and designs follow the latest Industrial Safety Standards. At a minimum, these should include the industrial safety requirements established by:

1. Occupational Safety and Health Administration (OSHA)
2. National Fire Protection Association (NFPA)
3. National Electrical Code (NEC)
4. American National Standards Institute (ANSI)

#### **⚠ WARNING**

*Severe injury or death can result from electrical shock, burn, or unintended actuation of equipment. Recommended practice is to disconnect and lockout industrial equipment from power sources, and release stored energy, if present. Refer to the National Fire Protection Association Standard No. NFPA70E, Part II and (as applicable) OSHA rules for Control of Hazardous Energy Sources (Lockout-Tagout) and OSHA Electrical Safety Related Work Practices, including procedural requirements for:*

- Lockout-tagout
- Personnel qualifications and training requirements
- When it is not feasible to de-energize and lockout-tagout electrical circuits and equipment before working on or near exposed circuit parts

Before putting SPX FLOW equipment into operation, the operator shall analyze the application for all foreseeable risks, their likelihood to occur and the potential consequences of the identified risks as per ISO 31000 and ISO/IEC 31010 in their actual current version.

**Locking and Interlocking Devices:** These devices should be checked for proper working condition and capability of performing their intended functions. Make replacements only with the original equipment manufacturer's OEM renewal parts or kits. Adjust or repair in accordance with the manufacturer's instructions.

**Periodic Inspection:** Equipment should be inspected periodically. Inspection intervals should be based on environmental and operating conditions and adjusted as indicated by experience. At a minimum, an initial inspection within 3 to 4 months after installation is recommended. Inspection of the electrical control systems should meet the recommendations as specified in the National Electrical Manufacturers Association (NEMA) Standard No. ICS 1.3, Preventative Maintenance of Industrial Control and Systems Equipment, for the general guidelines for setting-up a periodic maintenance program.

**Replacement Equipment:** Use only replacement parts and devices recommended by the manufacturer to maintain the integrity of the equipment. Make sure the parts are properly matched to the equipment series, model, serial number, and revision level of the equipment.

Warnings and cautions are provided in this manual to help avoid serious injury and/or possible damage to equipment:

#### **⚠ DANGER**

*Immediate hazards which WILL result in severe personal injury or death.*

#### **⚠ WARNING**

*Hazards or unsafe practices which COULD result in severe personal injury or death.*

#### **⚠ CAUTION**

*Hazards or unsafe practices which COULD result in minor personal injury or product or property damage.*

## Warnings

1. Read the instructions before installing the pump and starting it up. Always follow the guidelines for assembly in order to achieve optimum operational reliability.
2. Always check that the specifications of the motor and the motor control unit are correct, particularly in operating environments where there may be a risk of explosion.
3. Pumps should only be installed, disassembled, repaired and assembled by personnel trained in servicing pumps.
4. Always ensure that all electrical installation is carried out by qualified staff.
5. Never hose down or clean the electric motor directly with water or cleaning fluid. If the motor will be used in a washdown environment a washdown designed motor must be used.
6. Never dismantle the pump before the motor has been disconnected from the power supply. Remove the fuses and disconnect the cable from the motor terminal box.
7. Never dismantle the pump until the isolating valves on the suction and discharge side have been closed and the immediate pipe system has been drained. If the pump is used for hot and/or hazardous fluids, special precautions must be taken. In such cases follow the local regulations for personal safety when working with these products.
8. Always ensure that all pipe connections have been fitted and tightened properly before the pump is started. If the pump is used for hot and/or hazardous liquids, take special care: follow the local regulations for personal safety when working with these products.
9. Always wear personal protective equipment according to the requirements established by OSHA, NFPA, NEC (See page 9).
10. Always remove all assembly and auxiliary tools from the pump before starting it up.
11. Make sure product lines and power cables are laid in suitable guides/trays.
12. Always ensure that no debris of any kind is present in the pump.
13. Always ensure that the pump and the motor shafts are properly aligned.
14. Always ensure that the suction and discharge valves isolating the pump are fully open before starting the pump.
15. Never close or obstruct the outlet of the pump as the pressure in the system will increase above the specified maximum pressure of the pump and cause damage to the pump.
16. There are rotating parts in the pump. Never put hands or fingers into a pump while it is in operation.
17. The pump components and piping may contain sharp edges. Handle the screws carefully because edges may be sharp. Wear gloves while installing and servicing the pump to help avoid injuries from these hazards.
18. Never touch the gear case during operation. The surface temperature of the gear case can get above 160°F (71°C) when running at 1000-3500 RPM. The pump cover and body may be cold or hot depending on the product (CIP at 190°F (88°C) or 300°F (149°C) product, for example).
19. Never touch the motor or motor shroud (if supplied) during operation, as it can become very hot.
20. When moving the pump, use appropriate lifting devices. Attach lifting devices to the eye bolts on the gear case; the gear case has holes for attaching lifting eye bolts. The 130 and 220 UTS pumps have a third lifting point on the body (130) and cover (220). Always use securely fitted lifting straps when lifting with a crane or similar lifting gear. See “Lifting” on page 16.
21. Never drop parts on the floor.
22. Never exceed the maximum temperature specified under “Operating Parameters” on page 14.
23. Never exceed 375 psi / 25.8 bar maximum operating pressure.
24. Guards should be used when applicable. See page 18 and page 25.
25. Make sure to keep the work area clear of machine parts, tools, product lines, foreign materials, and power cables to avoid potential hazards.

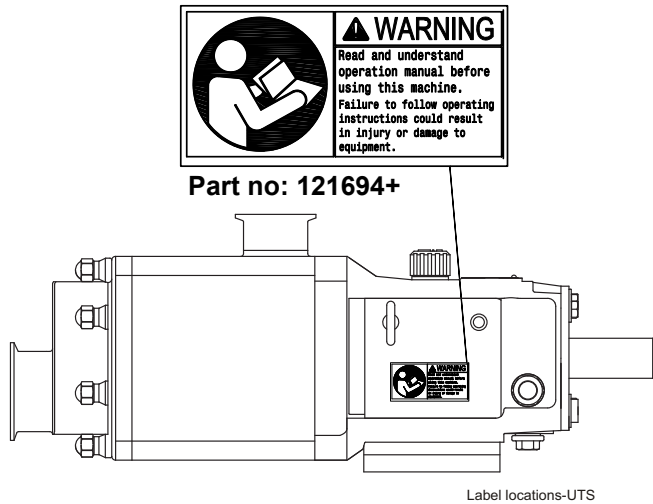
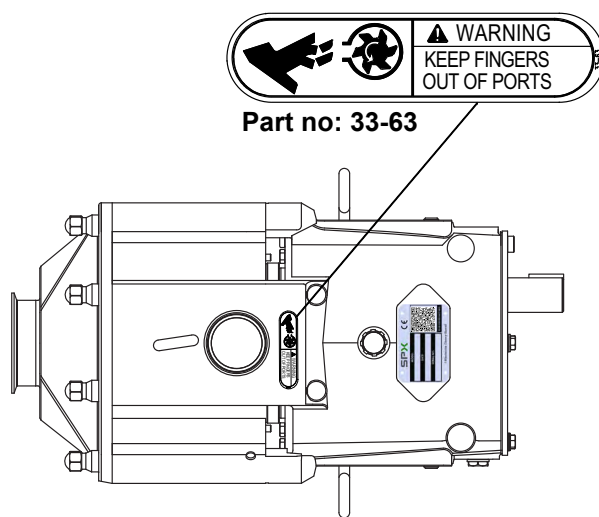
# Replacement Labels

**⚠ WARNING**

The following labels are installed on your equipment. If these labels are removed or become unreadable, contact SPX FLOW customer service at 800-252-5200 or 262-728-1900, and refer to the part numbers below.

## Application Instructions

Apply to a clean, dry surface. Remove the backing from the label, place it in proper position, protect it with a cover sheet and burnish it. (A soft rubber roller also may be used to press the label into place.) Apply all labels to be readable from the front of the pump.



The labels above are affixed to the pumps as shown. (130-UTS pump is shown. Label placement is similar on other sizes.) If the pump is mounted on a bracket, the “Read and understand operation manual” label is placed on the arm of the bracket.

**IMPORTANT**

1. Pump and Drive are factory aligned.
2. Recheck alignment after installation and before start-up.
3. Recheck alignment periodically, to maximize service life.

33-95

PD100-235b

**Part no: 33-95**

This label is supplied on base packages, on the side of the gear case.

IMPORTANT

To avoid damage to the shaft seals and/or pump parts:

DO NOT START this pump unless Seal Flush has been installed and is turned ON.

PD100-236a

**Part no: 112446+**

This label is supplied with pumps with double mechanical seals. It is attached to the eye bolt.

## Care of Component Materials

**NOTE:** SPX FLOW recommends the use of an FDA-approved anti-seize compound on all threaded connections.

**⚠ WARNING**

Failure to comply with the Care of Component Materials could lead to bodily injury.

### Stainless Steel Corrosion

Corrosion resistance is greatest when a layer of oxide film is formed on the surface of stainless steel. If film is disturbed or destroyed, stainless steel becomes much less resistant to corrosion and may rust, pit or crack.

Corrosion pitting, rusting and stress cracks may occur due to chemical attack. Use only cleaning chemicals specified by a reputable chemical manufacturer for use with 300 series stainless steel. Do not use excessive concentrations, temperatures or exposure times. Avoid contact with highly corrosive acids such as hydrofluoric, hydrochloric or sulfuric. Also avoid prolonged contact with chloride-containing chemicals, especially in presence of acid. If chlorine-based sanitizers are used, such as sodium hypochlorite (bleach), do not exceed concentrations of 150 ppm available chlorine, do not exceed contact time of 20 minutes, and do not exceed temperatures of 104°F (40°C).

Corrosion discoloration, deposits or pitting may occur under product deposits or under gaskets. Keep surfaces clean, including those under gaskets or in grooves or tight corners. Clean immediately after use. Do not allow equipment to set idle, exposed to air with accumulated foreign material on the surface. Corrosion pitting may occur when stray electrical currents come in contact with moist stainless steel. Ensure all electrical devices connected to the equipment are correctly grounded.

### Alloy 88

Waukesha Alloy 88 is the standard rotor material for Universal I, Universal II, Universal TS, Universal Lobe, Universal 420/520 and 5000 Series Rotary PD pumps. This alloy was developed specifically for corrosion resistance and close operating clearance requirements of high performance rotary positive displacement pumps. Alloy 88 is a nickel based, corrosion-resistant, non-galling or seizing material. The ASTM designation is A494 Grade CY5SnBiM (UNS N26055), and the material is listed in the 3-A Sanitary Standards as acceptable for product contact surfaces.

The corrosion resistance of Alloy 88 is approximately equal to AISI 300 Series Stainless Steel. However, Alloy 88 has limited resistance to certain aggressive chemicals that may be commonly used in contact with AISI 300 Series Stainless Steel.

Do not use Alloy 88 in contact with nitric acid. Nitric acid is commonly used to passivate new installations of stainless steel equipment. Do not allow nitric acid based passivation chemicals to contact Alloy 88 rotors. Remove the rotors during passivation and use a separate pump to circulate the passivation chemicals. Also, if nitric acid-based CIP cleaning chemicals are used, remove the rotors prior to CIP cleaning and clean them separately by hand in a mild detergent. If you have questions regarding other aggressive chemicals, please contact SPX FLOW Application Engineering for assistance.

### Aluminum

Aluminum is a "soft" metal; hard sharp objects will damage the surface. The Hard Coat Anodized Sealed surface provides corrosion and wear protection. Use caution when installing and removing the cover while servicing the pump. If the surface of the aluminum cover is damaged, replace with a new cover. The gear shrouds are not anodized, but are located inside the oil sump. Should they become damaged during servicing, replace with new parts.

### Elastomer Seal Replacement Following Passivation

Passivation chemicals can damage product contact areas of this equipment. Elastomers (rubber components) are most likely to be affected. Always inspect all elastomer seals after passivation is completed. Replace any seals showing signs of chemical attack. Indications may include swelling, cracks, loss of elasticity or any other noticeable changes when compared with new components.

## Introduction

### Pump Receiving

**⚠ DANGER**

*The pump contains internal moving parts. DO NOT put hands or fingers into the pump body ports or drive area at any time during operation. To avoid serious injury, DO NOT install, clean, service, or repair the pump unless all power is off and locked out and the pump is de-pressurized.*

All ports are covered at the factory to keep out foreign objects during transit. If covers are missing or damaged, remove the pump cover (if damaged) and thoroughly inspect the fluid head. Be sure that the pumping head is clean and free of foreign material before rotating the shaft.

The Waukesha Cherry-Burrell brand Universal Twin Screw pump uses a screw style rotor. The terms “Screw” and “Rotor” can be used interchangeably when referring to the screw style rotors.

Each standard Waukesha Cherry-Burrell brand pump is shipped completely assembled and lubricated. Review “Operation” on page 25 before operating the pump.

### Intended Use

The Waukesha Cherry-Burrell brand Universal Twin Screw pump is exclusively intended for pumping liquids, especially in food and beverage installations.

Refrain from using the pump in a manner which exceeds the scope and specifications stated below.

Any use exceeding the margins and specifications set forth is considered to be not intended.

SPX FLOW is not liable for any damage resulting from such activities. The user bears the full risk.

**⚠ WARNING**

*Improper use of the pump leads to:*

- *damage*
- *leakage*
- *destruction*
- *potential failures in the production process*

### Equipment Serial Number

All Waukesha Cherry-Burrell brand pumps are identified by a serial number on the gear case nameplate, which is stamped on the pump body and cover.

## Certifications

### ***EHEDG***

Only pumps containing the elastomers and seals listed on the EHEDG certificate are EHEDG-certified. To maintain compliance, pumps must have process connections that meet EHEDG guidelines and must be mounted in a free-drain position.

Pumps must be connected to process piping using sanitary welds or EHEDG-approved process connections as described in the EHEDG Position Paper, "Easy cleanable Pipe couplings and Process connections" found under "Free Documents" on [www.EHEDG.org](http://www.EHEDG.org).

### **3-A**

Only designs meeting 3-A Standards are 3-A certified. To maintain compliance, pumps must have process connections that meet 3-A Standards and must be mounted in a free-drain position.

See the 3-A website for current certificates: [www.3-a.org/3-A-Symbol/Search-Database-of-Current-Certificates](http://www.3-a.org/3-A-Symbol/Search-Database-of-Current-Certificates).

Certificate Number 29 covers all SPX FLOW Centrifugal and Rotary Pumps. You can search using: Certificate Number 29, Company Name "SPX Flow US, LLC," or Standard Number 02-\_\_\_. The 3-A Standard for fittings is 63-\_\_\_. ("\_\_\_" indicates the current revision.)

## Operating Parameters

UTS Model	Screw Pitch (mm)			Maximum Nominal Capacity (gpm)	Horizontal Port (Cover)	Vertical Port (Body)	Max. Pressure Range	Max. RPM	Temp.*
	Displacement (gal./revolution)								
015	16.5	33	44	0.10 – 70	2"	1.5"	375 psi / 25.8 bar	3500	Max. Gearcase temp: 180°F / 82°C
	0.016	0.031	0.041						
030	16.8	28	42	0.40 – 130	2.5"	2"		3100	
	0.030	0.050	0.076						
130	36.7	55	73.4	4.00 – 350	4"	2.5"		2500	Max. product temp: 300°F / 149°C
	0.119	0.178	0.239						
220	45	60	90	40.0 – 880	4" or 6"	4" or 6"		2000	
	0.301	0.44	0.605						

\* Max Oil temperature of 180°F (82°C) requires the pump to be shut down, and allowed to cool off. The surface temperature of the gear case may exceed 160°F (71°C). Contact SPX FLOW Application Engineering for higher pressure or higher temperature applications.

### **▲ DANGER**

*Operating the pump outside the stated operating parameters may result in severe personal injury or death.*

## Qualification Guidelines for Operating Staff

### Definitions

#### *Operator*

A person who is capable of handling the installation, interior, operation, warnings, cleaning, repair or transportation of the machine.

#### *Trained person*

A person who is instructed in the tasks given and the possible dangerous situation that may occur. The person is also aware of the protection installations and measures.

#### *Skilled worker*

A person who based upon his or her background and due to his or her knowledge, is able to perform the tasks, and has an appropriate knowledge of the provisions given.

**Table 1: Qualification Guidelines for Operating Staff**

Phase of Life	Task Example	Prerequisite for the operating staff	
		Trained person	Skilled worker
Transport	Lift	x	
	Loading	x	
	Unloading	x	
Assembly and Installation/ Commissioning	Assembly/fastening of the machine		x
	Connection to the electric grid		x
	Filling of lubricant to drive motors	x	
Operation	Startup	x	
	Controlling	x	
	Surveillance	x	
	Shutdown	x	
Cleaning, Maintenance	Cleaning	x	
	Refilling of lubricants	x	
	Disconnection from energy supply	x	
	Assembly/Disassembly of parts	x	
Troubleshooting	Disconnection from energy supply	x	
	Troubleshooting	x	
	Assembly/Disassembly of parts	x	
	Repair	x	
Dismounting/Unplugging from plant	Removal of energy supply	x	
	Dismount		x
	Lift		x
	Loading		x
	Unloading		x

## Installation

### Important Safety Information

#### ⚠ DANGER

The pump contains internal moving parts. DO NOT put hands or fingers into the pump body ports or drive area at any time during operation. To avoid serious injury, DO NOT install, clean, service, or repair the pump unless all power is off and locked out and the pump is de-pressurized.

#### ⚠ WARNING

The pump components and piping may contain sharp edges. Handle the screws carefully because edges may be sharp. Wear gloves while installing and servicing the pump to help avoid injuries from these hazards.

#### ⚠ CAUTION

Maintenance should be performed only by trained personnel. See “Qualification Guidelines for Operating Staff” on page 15.

### Lifting

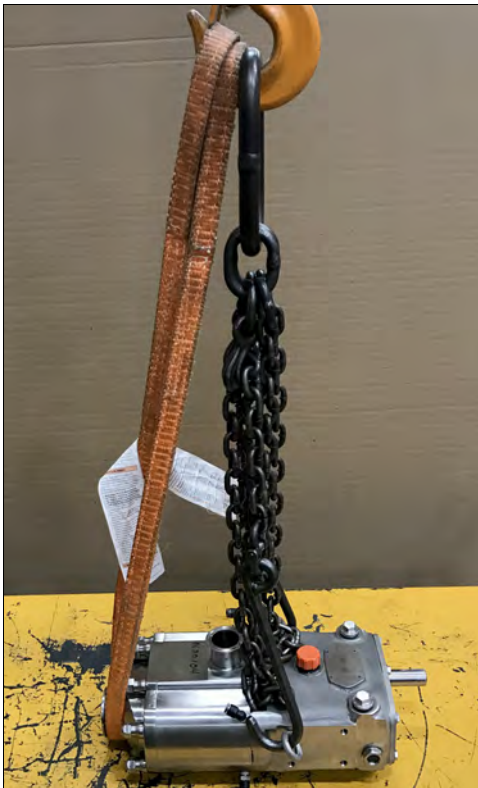


Figure 1 - Lifting location - 015, 030-UTS

#### ⚠ CAUTION

When moving the pump, use appropriate lifting devices. Always use securely fitted lifting straps/chains when lifting with a crane or similar lifting gear.

#### ⚠ WARNING

Do not stand underneath the pump while it is being lifted.

Attach lifting devices as shown:

- On the 015-UTS and 030-UTS (Figure 1 and Figure 2), attach straps/chains to the two eye bolts on either side of the gear case, and slide a strap under the horizontal port on the cover.



Figure 2 - Lifting location detail - 015, 030-UTS





**Figure 3 - Lifting location - 130, 220-UTS**

- On the 130-UTS and 220-UTS (220-UTS pictured in Figure 3), attach lifting straps/chains to the two eye bolts on either side of the gear case, and to the single vertical eye bolt located in front of the vertical port.
- For Unit orders (a pump and motor mounted on a common baseplate (not pictured)), use straps to lift the unit by the baseframe at either end. Do not lift by the eye bolts on the pump or motor.

**⚠ CAUTION**

*To lift the cover on a 220-UTS, attach lifting straps or chains to the eye bolt.*

*To lift the body of a 130-UTS, use a lifting strap or chain threaded through the eye bolt on the body.*

*To lift the body of a 220-UTS, use a lifting strap threaded through the vertical port on the body, and the front of the body (not through the shaft bores).*

*To lift the gear case assembly on the 130-UTS or 220-UTS, attach lifting straps/chains to the two eye bolts on either side of the gear case.*

*To lift the screw rotors on the 130-UTS and 220-UTS, please have your maintenance department seek advice for safe lifting practices for objects weighing in excess of 40 lb (18 kg). The screw surfaces must be protected to maintain the 32 Ra surface finish for sanitary applications. It may be necessary to design or purchase a specialized lifting tool to cradle and lift the screws when meshed.*

*To lift the shafts on the 220-UTS, please have your maintenance department seek advice for safe lifting practices for objects weighing in excess of 40 lb (18 kg).*

**Table 2: Universal Twin Screw Pump Weights (less motor or base)**

Model	Weight
015-UTS	87 lb (39 kg)
030-UTS	160 lb (73 kg)
130-UTS	385 lb (175 kg)
220-UTS	750 lb (340 kg)

## Install Pump and Drive Unit

### ⚠ CAUTION

Install the pump and piping system in accordance with local codes and restrictions. Practices described in this manual are recommended for optimum performance.

### ⚠ CAUTION

The motor must be installed by qualified personnel, e.g., a licensed electrician.

All system equipment, such as motors, sheaves, drive couplings, speed reducers, etc., must be properly sized to ensure satisfactory operation of your Waukesha Cherry-Burrell brand pump within its limits. Customer-supplied motors should have a basic level of safety to prevent electrical hazards, and should be dealt with in accordance with the manufacturer's instructions.

In a typical installation configuration, the pump and drive unit are mounted on a common base plate. The unit can be installed in any of the arrangements shown in Figure 4 through Figure 7.

**NOTE:** The gap between the pump body and gearcase is required for 3-A sanitary standards.

**NOTE:** When installing a unit as shown in Figure 7, level the unit before installing the bolts.

The shaded area in Figure 4 through Figure 7 indicates the guard location.

See "Pump Shaft Guards" on page 98.

### ⚠ WARNING

Full guards must be installed to isolate operators and maintenance personnel from rotating components.

Guards are provided as part of a complete pump and drive package and are selected by SPX FLOW Engineering for the pump, base, and motor ordered. Do not modify the guard provided by SPX FLOW. If the guard provided by SPX FLOW is lost, contact SPX FLOW Customer Service and provide your order number or PO number of the pump to order a correctly-sized replacement guard.

If the pump was not purchased as a unit, it is the responsibility of the customer to ensure proper guarding. Refer to your local regulations for guidance.

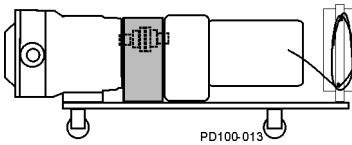


Figure 4 - Portable Base

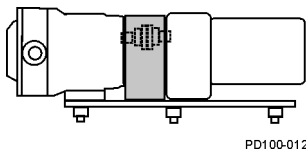


Figure 5 - Adjustable Leg Base

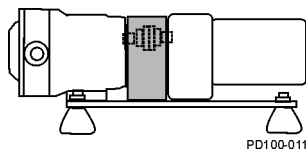


Figure 6 - Leveling and/or Vibration Isolation Pads

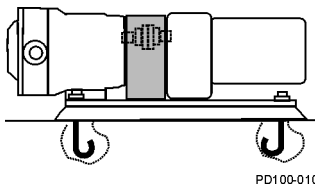


Figure 7 - Permanent Installation on Foundation

## Direction of flow

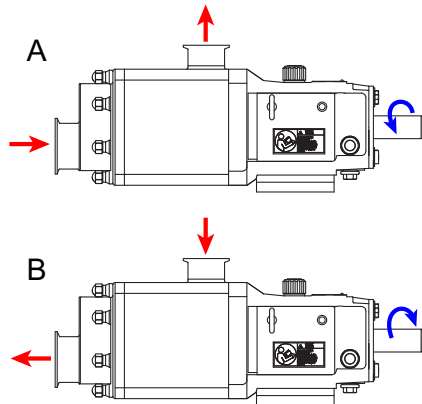


Figure 8 - Direction of flow

The default direction of flow is from the horizontal port (in the front of the cover) to the vertical port, with the drive shaft running clockwise as viewed facing the cover of the pump. See view A in Figure 8.

To change the direction of flow, run the drive shaft in the opposite direction (counter-clockwise), as viewed facing the cover of the pump. See view B in Figure 8.

## Install Connections and Piping

### ⚠ CAUTION

*These pumps are positive displacement design and will be severely damaged if operated with closed valves in discharge or inlet lines. The pump warranty is not valid for damages caused by a hydraulic overload from operation or start-up with a closed valve in the system.*

### Piping Support

To minimize forces exerted on the pump, support all piping to the pump independently with hangers or pedestals. Such forces can cause misalignment of the pump parts and lead to excessive wear of screws, bearings, and shafts.

Figure 9 shows typical supporting methods used to independently support each pipe, reducing the weight effect of piping and fluid on the pump.

### ⚠ WARNING

*Do not exceed 50 lb (22.7 kg) load on the pump inlet or discharge ports. Exceeding this limit may cause damage to the pump*

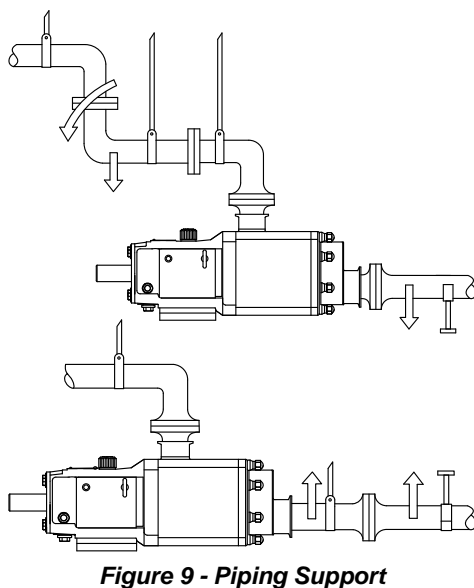


Figure 9 - Piping Support

### Expansion Joints

Thermal expansion of piping can cause tremendous forces. Use thermal expansion joints to minimize these forces on the pump.

Flexible joints can be used to limit transmission of mechanical vibration. Ensure that the free ends of any flexible connections in the system are anchored.

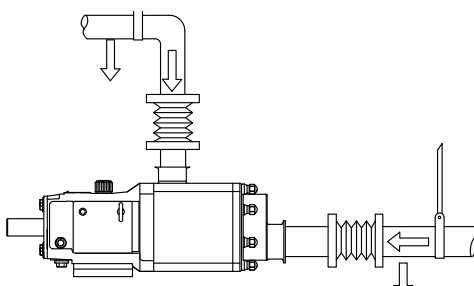
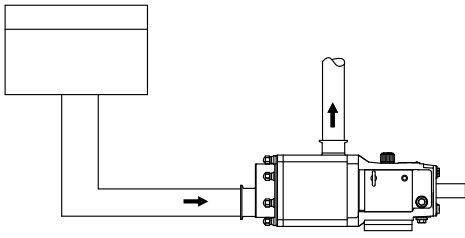


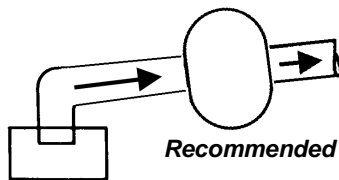
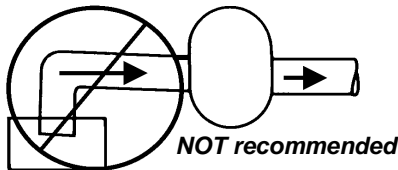
Figure 10 - Flexible Connections and Supports



**Figure 11 - Pump Below Supply (recommended)**

### Inlet Piping

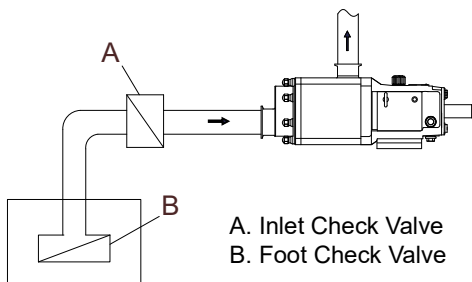
Install the pump below the supply liquid level to reduce the air in the system by flooded suction, to prevent the pump from becoming air-bound (Figure 11).



**Figure 12 - Piping Slope**

If the pump is installed above the supply liquid level, the piping on the inlet side must slope up toward the pump, preventing air pockets in the pipes (Figure 12).

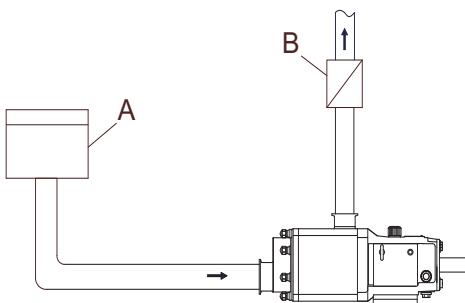
### Install Check Valves



**Figure 13 - Inlet Check Valve**

### Inlet Side on Lift Applications

Use check valves to keep the inlet line full, particularly with low-viscosity fluids (Figure 13).



- A. Closed Tank - produces vacuum on liquid (Low Absolute Pressure)
- B. Check Valve (outlet)

**Figure 14 - Discharge Check Valve**

### Discharge Side

For systems with liquid under a vacuum, install a check valve on the discharge side of the pump. The check valve prevents backflow (air or fluid) to aid in the initial start-up by minimizing the required differential pressure supplied by the pump to start the flow (Figure 14).

## Install Isolation Valves

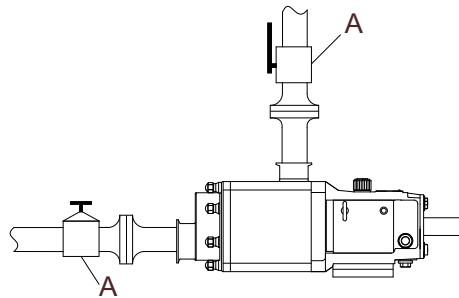


Figure 15 - Isolation Valves

Isolation valves permit pump maintenance and safe pump removal without draining the system (Figure 15, item A).

**NOTE:** Make sure the inlet flow is not restricted. Do not start the pump deadheaded, e.g., operated with no flow through it.

## Install Relief Valves

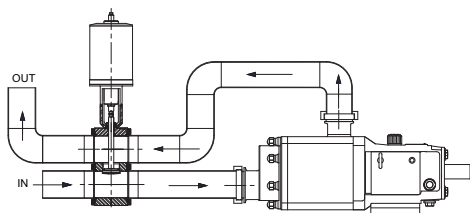


Figure 16 - WR63 Reverse-Acting Over-Pressure Relief Valve

Install relief valves to protect the pump and piping system against excessive pressure. We recommend installing an external relief valve designed to bypass fluid from the pump outlet to the inlet side of the system (See Figure 16, Figure 17, and Figure 18).

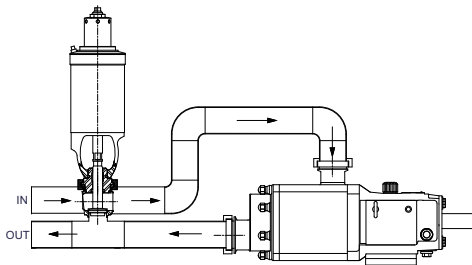


Figure 17 - WR61C Air-to-Raise Valve with Adjustable-Spring Actuator

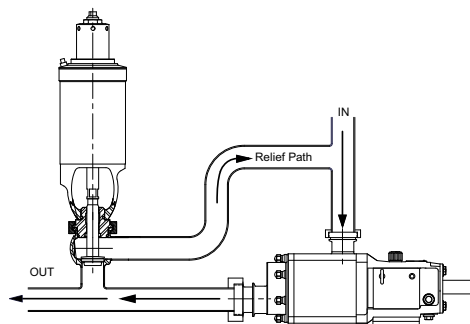
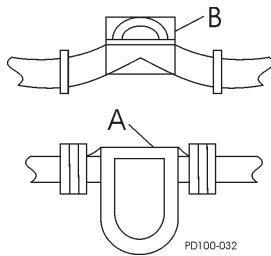


Figure 18 - WR61T 4RHAR Valve

## Inlet Side Strainers and Traps



A. Strainer B. Magnetic Trap

Figure 19 - In-line Strainers and Traps

Inlet side strainers and traps (Figure 19, items A and B, respectively) can be used to prevent foreign matter from damaging the pump. Select carefully to prevent cavitation caused by the restriction of the inlet. If inlet strainers are used, they must be serviced regularly to prevent clogging and flow stoppage.

## Install Pressure Gauges

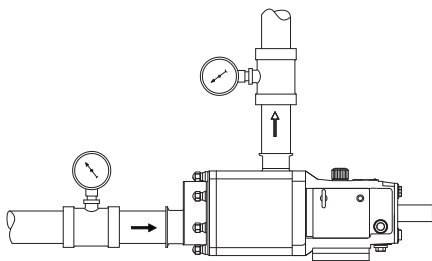


Figure 20 - Pressure and Vacuum Gauges

Pressure and vacuum gauges provide valuable information about pump operation (Figure 20). Wherever possible, install the gauges to help provide information on the following:

- Normal or abnormal pressures
- Indication of flow
- Changes in pump condition
- Changes in system conditions
- Changes in fluid viscosity

## Seal Flush Connections

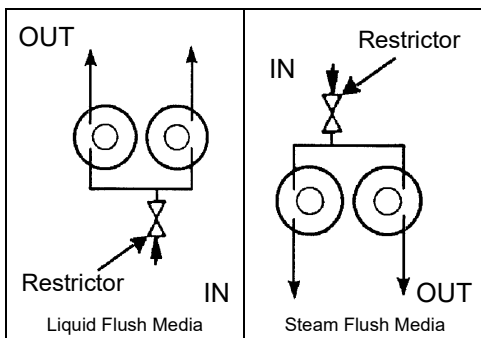


Figure 21 - Flush Piping Setup

Pumps with double seals require flushing. The flush media (water or lubricating fluid compatible with the product) must be connected and flowing whenever the pump is operated.

**WARNING**

Operating the pump without flush will damage the seal and pump parts due to excess heat from dry running.

**CAUTION**

Check for buildup or restrictions (kinking) in the flush lines or fittings at regular intervals. SPX FLOW recommends using clear (transparent) flush lines for easier observation.

Pump bodies have 4 1/8-inch female pipe thread (NPT) flush connections located near the bottom and top of the body.

1. Connect the flush inlet to the lower connection, and outlet to upper connection to flood the flush area completely.
2. Connect the flush outlet for unrestricted flow to the drain.
3. Use cool, filtered flush media to obtain maximum service life of the seal components. If the pumped product is sticky or solidifies at room temperature, use warm or hot flush media.
4. Install a pressure reducing valve and flow control valve (needle valve) on the flush supply line. Set the supply pressure at a maximum of 30 psi (2 bar) and adjust the flow rate to approximately 1/4 gpm (more for high temperature applications).

**NOTE:** If steam is used as a flush media, connect the inlet at the upper connection, and the outlet at the lower connection to ensure condensation removal.

If steam condensate is used as a flush media, connect the inlet at the lower connection, and the outlet at the upper connection.

- Also install a solenoid valve in the flush supply and wire it in series with the motor starter to provide an automatic start/stop of the flush media flow before the motor turns on and after the motor turns off.

## CIP (Clean-In-Place) Features

Universal Twin Screw pumps function as a CIP pump and a product pump in one. Run the pump at fast speeds (1300-3500 RPM) for CIP; slower speeds for product. These pumps are designed to provide complete access of the CIP solutions to all product contact surfaces.

### Standard CIP features include

- Free draining cover
- Custom cover gasket to exclude small particulates (seeds)

### Guidelines

Use the following guidelines when designing and installing the CIP system to ensure successful cleaning:

#### ⚠ CAUTION

*In order to avoid temperature shock after the introduction of hot CIP fluid, stop the pump after filling the pumphead with hot CIP fluid. Once the hot CIP fluid has filled the pumphead, allow up to 15 minutes for the pump fluid components to thermally expand, then re-start the pump.*

- Ensure that the velocity rate of CIP solutions is adequate to clean the entire circuit. For most applications, a velocity of 5 ft/sec is sufficient. For the CIP solution to achieve the proper velocity, the pump drive must have enough speed range and horsepower. The required inlet pressure also must be satisfied.
- Ensure that a differential pressure is created across the pump. Differential pressure will push CIP solutions through close-clearance areas of the pump, resulting in better cleaning action. The high pressure side may be either the inlet or outlet side. 30 psi (2 bar) differential pressure is adequate for most applications. For difficult cleaning applications, higher pressure or longer cleaning cycles may be required.
- If the Universal Twin Screw (UTS) pump is not the pump being used for CIP, the UTS pump must still be operated during CIP to increase turbulence and cleaning action within the pump.

## Check Angular Alignment

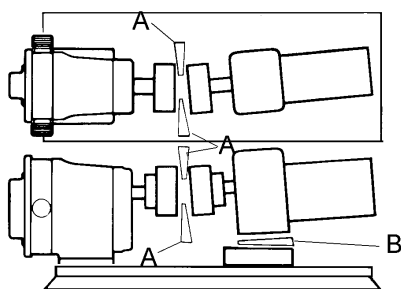


Figure 22 - Check Angular Alignment

- Using feeler gauges or taper gauges (Figure 22, items A and B), check the alignment at four points every 90 degrees around the coupling; **adjust to equal dimension at all points.**
- Set the space between the coupling halves to the manufacturer's recommended distance.
- Install shims to bring the system into alignment.

## Check Coupling Alignment



Figure 23 - Lovejoy Coupling



Figure 24 - T.B. Woods® Coupling

Pumps and drives ordered from the factory and mounted on a common base plate are aligned before shipment. Alignment **must** be re-checked after the complete unit has been installed and piping completed. Periodic re-checking is advisable during the pump service life.

- SPX FLOW recommends using a flexible coupling to connect the drive to the pump. Several different types are available, including couplings with slip or overload provisions. SPX FLOW provides Lovejoy (Figure 23) or T.B. Woods® (Figure 24) couplings unless otherwise specified when ordering. Flexible couplings can be used to compensate for end play and small differences in alignment.
- Align the pump and drive shaft as closely as possible:
  - Pump and Drive are factory aligned.
  - Re-check alignment after installation and before start-up.
  - Re-check alignment periodically, to maximize service life.

## Check Parallel Alignment

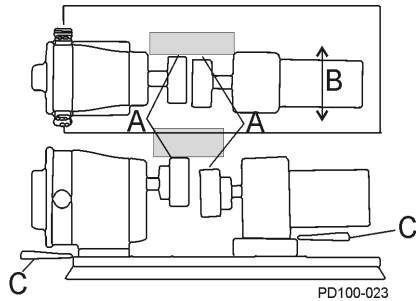


Figure 25 - Check Parallel Alignment

1. Check both the horizontal and vertical alignment of the pump and drive using a straight edge.
2. Using a feeler gauge at location “A” in Figure 25, determine the direction and amount of movement needed (Figure 25, item B).
3. If necessary, shim at location “C” and/or move drive as needed.

## Check Belt and Chain Drive Alignment

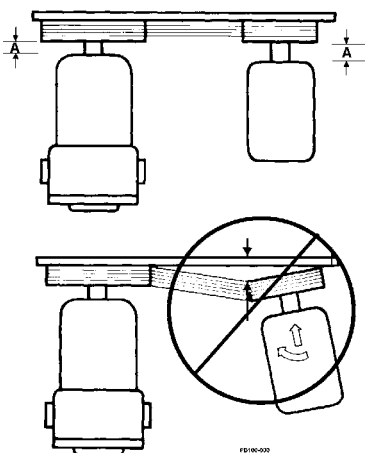


Figure 26 - Aligning Belt and Chain Drives

Use a straight edge to visually check the belt or chain alignment. Keep the shaft distance to a minimum (Figure 26, item A).

After the piping is complete and before the belts are installed, manually turn the pump shaft to ensure it turns freely.



## Operation

### Important Safety Information

#### ⚠ DANGER

The pump contains internal moving parts. DO NOT put hands or fingers into the pump body ports or drive area at any time during operation. To avoid serious injury, DO NOT install, clean, service, or repair the pump unless all power is off and locked out and the pump is de-pressurized.

#### ⚠ WARNING

The pump components and piping may contain sharp edges. Handle the screws carefully because edges may be sharp. Wear gloves while installing and servicing the pump to help avoid injuries from these hazards.

#### ⚠ CAUTION

Maintenance should be performed only by trained personnel. See “Qualification Guidelines for Operating Staff” on page 15.

#### ⚠ CAUTION

These pumps are positive displacement design and will be severely damaged if operated with closed valves in the discharge or inlet lines. The pump warranty is not valid for damages caused by a hydraulic overload from operation or start-up with a closed valve in the system.

### Pre-Startup Checklist

#### ⚠ CAUTION

The motor must be installed by qualified personnel, e.g., a licensed electrician.

#### ⚠ CAUTION

Consult the motor or VFD manufacturer's manual for setup, operation, disassembly, and troubleshooting of the motor or VFD, or contact the manufacturer.

#### ⚠ CAUTION

Do not use this pump to flush a newly-installed system. Severe damage may occur to the pump and system if the pump is used to flush the system.

#### ⚠ WARNING

Full guards must be installed to isolate the operators and maintenance personnel from the rotating components. Guards are provided as part of a complete pump and drive package. See page 18 and page 98.

#### ⚠ WARNING

Do not start a pump with seal flush unless the seal flush is installed and turned on.

1. Ensure that the pump is correctly installed as described in “Installation” on page 16. Review “Install Relief Valves” on page 21 and install relief valves as needed.
2. Check the coupling alignment. See “Check Coupling Alignment” on page 24.
3. Ensure that the pump and piping are clean and free of foreign material such as welding slag, gaskets, etc.
4. Ensure that all piping connections are tight and leak-free. Where possible, check the system with non-hazardous fluid.
5. Ensure that the pump and drive are lubricated. See “Lubrication” on page 28.
6. Ensure that all guards are in place and secure.
7. Double mechanical seals require adequate supply and flow of clean flushing fluids.
8. Ensure that all valves are open on the discharge side and a free flow path is open to the destination.
9. Ensure that all valves are open on the inlet side and fluid can fill the pump. A flooded suction installation is recommended.
10. Check the direction of pump and drive rotation to ensure that the pump will rotate in the proper direction. See “Direction of flow” on page 19.

## Starting the Pump

**⚠ WARNING**

Keep a safe distance (1.6 ft/.5 m) away from the pump during startup.

**⚠ CAUTION**

The motor must be installed by qualified personnel, e.g., a licensed electrician.

**⚠ CAUTION**

In order to avoid temperature shock after the introduction of hot or cold product, stop the pump after filling the pumphead with product. Once the product has filled the pumphead, allow up to 15 minutes for the pump's fluid components to thermally adjust, then re-start the pump.

1. Start the pump drive. Where possible, start at a slow speed or jog.
2. For sanitary applications, sanitize the pump per customer requirements before putting the pump into service.
3. Check to make sure that the liquid is reaching the pump. If pumping does not begin and stabilize, check "Troubleshooting" on page 93.

## Stopping the Pump

**⚠ WARNING**

Keep a safe distance (1.6 ft/.5 m) away from the pump during shutdown.

**⚠ CAUTION**

The motor must be installed by qualified personnel, e.g., a licensed electrician.

1. Shut off the power to the pump drive.
2. Shut off the supply and discharge lines.

## Maintenance

### Important Safety Information

**⚠ DANGER**

*The pump contains internal moving parts. DO NOT put hands or fingers into the pump body ports or drive area at any time during operation. To avoid serious injury, DO NOT install, clean, service, or repair the pump unless all power is off and locked out and the pump is de-pressurized.*

**⚠ WARNING**

*The pump components and piping may contain sharp edges. Handle the screws carefully because edges may be sharp. Wear gloves while installing and servicing the pump to help avoid injuries from these hazards.*

**⚠ WARNING**

*Never touch the gear case during operation. The surface temperature of the gear box can get above 160°F (71°C) when running at 1000-3500 RPM.*

**⚠ CAUTION**

*Maintenance should be performed only by trained personnel. See “Qualification Guidelines for Operating Staff” on page 15.*

**⚠ CAUTION**

*Make sure the pump is securely bolted or clamped down prior to performing any maintenance work. The pump center of gravity changes as parts are added or removed, and could result in tipping of an unsecured pump.*

**⚠ CAUTION**

*Make sure to keep the work area clear of machine parts, tools, product lines, foreign materials, and power cables to avoid potential hazards.*

**⚠ CAUTION**

*Make sure appropriate lighting is available: at least 1000 lux, independent of daylight and weather conditions.*

**⚠ CAUTION**

*Before carrying out any maintenance and repair work on cold components, ensure that the machine parts in question are sufficiently heated. The contact temperature of accessible machine parts must not be lower than those in the EN ISO 13732-1.*

**⚠ CAUTION**

*To lift the cover on a 220-UTS, attach lifting straps or chains to the eye bolt.*

*To lift the body of a 130-UTS, use a lifting strap or chain threaded through the eye bolt on the body.*

*To lift the body of a 220-UTS, use a lifting strap threaded through the vertical port on the body, and the front of the body (not through the shaft bores).*

*To lift the gear case assembly on the 130-UTS or 220-UTS, attach lifting straps/chains to the two eye bolts on either side of the gear case.*

**⚠ CAUTION**

To lift the screw rotors on the 130-UTS and 220-UTS, please have your maintenance department seek advice for safe lifting practices for objects weighing in excess of 40 lb (18 kg). The screw surfaces must be protected to maintain the 32 Ra surface finish for sanitary applications. It may be necessary to design or purchase a specialized lifting tool to cradle and lift the screws when meshed.

To lift the shafts on the 220-UTS, please have your maintenance department seek advice for safe lifting practices for objects weighing in excess of 40 lb (18 kg).

Before detaching port connections to the pump:

- Close the suction and discharge valves.
- Drain the pump and clean or rinse, if necessary.
- Disconnect or shut off the electrical supply and lock out all power.

## Lubrication

**Table 3: Lubrication Quantities**

UTS Model	Oil Capacity
015	110 ml / 3.7 oz
030	216 ml / 7.3 oz
130	525 ml / 17.8 oz
220	1575 ml / 53.3 oz

## Oil Specification

Standard: Synthetic Mobil SHC 629-150

Food Grade: Synthetic Mobil SHC  
Cibus-150

## Maintenance Inspections

**⚠ DANGER**

The pump contains internal moving parts. DO NOT put hands or fingers into the pump body ports or drive area at any time during operation. To avoid serious injury, DO NOT install, clean, service, or repair the pump unless all power is off and locked out and the pump is de-pressurized.

## Drive

Refer to the manufacturer's manual shipped with the drive for proper drive lubrication and frequency.

## Gears and bearings

Gears and bearings are factory-lubricated with gear oil at the quantity shown in Table 3. **First oil change at 250 hours, then every 2000 hours, depending on the operating conditions.** Aggressive washdown or extreme running conditions may require more frequent lubrication intervals.

When the pump is not running, the oil level is correct when the oil level is visible in the sight glass.

When the pump is running, the oil level may be difficult to see and may appear cloudy. Universal TS pumps are shipped with the oil level at or slightly above the center of the sight glass.

Check the oil level frequently, at least weekly.

Check the oil for signs for moisture; when contaminated with water, oil makes an emulsion similar to mayonnaise.

Detecting wear in the early stages can reduce repair costs and down time. A simple "look-feel" inspection of the pump during breakdown cleaning is recommended to detect signs of trouble at an early stage.

Refer to the "Maintenance Inspection Chart" on page 29 for possible causes and solutions to common issues discovered during inspection.

A detailed maintenance inspection should be scheduled annually. See "Annual Maintenance" on page 30.

## Maintenance Inspection Chart

Frequency	Check for	Possible Causes	Possible Solutions
At least weekly	Low oil level, oil contamination. See "Lubrication" on page 28.	Oil leak from back cover oil seal Loose back cover Breather plug damaged	Replace oil seal Replace back cover gasket and tighten bolts to spec. See page 92. Check or replace breather plug See "Lubrication" on page 28
Weekly	Leaks - Product	Damaged seal Damaged elastomers	Replace seal Replace elastomers
Weekly	Leaks - Oil	Damaged seal Damaged elastomers	Replace seal Replace elastomers Replace back cover gasket and tighten bolts to spec. See page 92.
Weekly	Leaks - Flush fluid Inspection (Double mechanical seal only): run flush and rotate the shaft. Look for leaks through the vertical port or through the end of the pump body. See Figure 105 on page 53.	Damaged seal, fitting, or flush tube Damaged elastomers.	Replace seal, fitting, or flush tube Replace elastomers
Every 3 months	Damaged bearing seals.	Seal may be old and worn. No oil on lips to lubricate. Shaft worn under seals. Worn bearings.	Replace seals. Properly lubricate with oil when installing. Inspect shaft surface under seals. Replace bearings.
Every 3 months	Damaged rear oil seal.	Seal may be old and worn. No oil on lips to lubricate. Shaft worn under seals. Not centered on shaft when installed. Worn bearings.	Replace seal. Properly lubricate with oil when installing. Inspect shaft surface under seals. Replace bearings.
Every 3 months	Screw flank contact or Screw outer diameter to bore contact.	Hard object jammed into screws and twisted shafts. Incorrectly timed screws. Worn bearings. Loose screw nut(s). Belleville-style washer(s) on backwards. Axial clearances not even. Worn bearings.	Replace shafts. Adjust screw timing to maintain proper axial clearances. Install strainers if necessary. Check and replace gears if necessary. Replace bearings Torque screw nut(s) properly. Install belleville-style washers correctly. Verify axial clearances are even. Check and replace bearings. Reset.
Every 3 months	Worn screw or shaft spline(s).	Loose screw nut(s). Belleville-style washer(s) on backwards. Timing is off.	Replace screws or shafts. Torque screw nut(s). See page 92. Install belleville-style washer(s) correctly.
Every 3 months	Worn screw end or shaft shoulder.	Loose screw nut(s). Belleville-style washer(s) on backwards. Screws slammed against shoulder when installed.	Torque screw nut(s). See page 92. Install belleville-style washer(s) correctly. Replace screws and shafts or adjust screw timing to maintain proper axial clearances.

Frequency	Check for	Possible Causes	Possible Solutions
Every 3 months	Sharp edged shaft shoulder.	Loose screw nut(s). Belleville-style washer(s) on backwards. Screws slammed against shoulder when installed. Axial clearances not even.	Torque screw nut(s). See page 92. Install belleville-style washer(s) correctly. Remove sharp edge with file to prevent cutting shaft o-ring. Verify axial clearances are even.
Every 3 months	Gear backlash.	Lack of lubrication. Excessive hydraulic loads. Loose shaft locking nut. Worn gears. Worn gear key.	Check lubrication level and frequency. Reduce hydraulic loads. Torque locking nuts to specified torque values. See page 92. Check and replace gears if necessary. Inspect gear key, shaft keyway and shaft, replace if necessary.
Every 3 months	Worn or broken gear teeth.	Lack of lubrication. Excessive hydraulic loads. Loose shaft locking nut.	Check and replace gears if necessary. Check lubrication level and frequency. Reduce hydraulic loads. Torque locking nuts to specified torque values. See page 92.
Every 3 months	Loose gears.	Shaft locking nuts not torqued properly. Locking assembly not torqued properly. Worn gear key.	Torque locking nut to specified torque value. See page 92. Check and replace gears if necessary. Inspect gear key, shaft keyway and shaft, replace if necessary.
Every 3 months	Loose bearings, axially or radially.	Lack of lubrication. Excessive hydraulic loads. Product or water contamination. Loose shaft locking nut.	Check lubrication level and frequency. Reduce hydraulic loads. Replace bearings if necessary. Torque locking nut to specified torque value. See page 92.

## Annual Maintenance

### **⚠ DANGER**

*The pump contains internal moving parts. DO NOT put hands or fingers into the pump body ports or drive area at any time during operation. To avoid serious injury, DO NOT install, clean, service, or repair the pump unless all power is off and locked out and the pump is depressurized.*

At least annually, perform the procedures and corrective measures outlined in "Maintenance Inspections" on page 28 and in the chart starting on page 29, in addition to the following preventive maintenance:

- Remove the gear cover and inspect the gears for wear, backlash and looseness. Check the gear retaining nuts. If they are loose, replace them with new nuts. Do not re-torque the existing nut as it is one-time use only. The gear case cover gasket is designed to compress when the back cover bolts are torqued. If you are re-installing a back cover that has previously been torqued down, replace the gear case cover gasket.
- Review the performance record on the pump, and check the radial clearances to determine wear and effect on performance. Adjustment to the operating speed can compensate for wear in some applications.

## Cleaning

Determine the pump cleaning schedule on-site for materials being processed and plant maintenance schedule. See “CIP (Clean-In-Place) Features” on page 23.

To disassemble the fluid head, see “Fluid Head Disassembly” on page 32. Remove and clean the cover gasket, pump seals, and the screw nut assembly. Inspect and replace them as necessary.

**NOTE:** Always replace the screw nut O-rings, seal cap O-rings, and seal carrier O-rings when reassembling the pump. If the area behind these seals becomes soiled, contact SPX FLOW Application Engineering for a specific cleaning and sanitizing procedure validated to remove bacteria. If a chlorine solution (200 ppm available chlorine) is used, it should leave no residual deposits which would remain in the pump.

Acid cleaners have a much higher metal corrosion rate and pump parts should remain in acid cleaning solutions no longer than necessary. Any strong inorganic mineral-based acids that are harmful to your hands would be harmful to pump parts. See “Care of Component Materials” on page 12.

In applications where material can harden in the pump during shutdown, a CIP cleaning, flush, or disassembly of the fluid head and manual cleaning is strongly recommended.

## Fluid Head Disassembly

### **⚠ DANGER**

The pump contains internal moving parts. DO NOT put hands or fingers into the pump body ports or drive area at any time during operation. To avoid serious injury, DO NOT install, clean, service, or repair pump unless all power is off and locked out and the pump is de-pressurized.

### **⚠ DANGER**

To avoid serious injury, shut off and drain all product from the pump prior to disconnecting the piping.

### **⚠ WARNING**

The pump components and piping may contain sharp edges. Handle the screws carefully because edges may be sharp. Wear gloves while installing and servicing the pump to help avoid injuries from these hazards.

### Remove cover

1. Remove the cover nuts from the cover.



Figure 27 - Remove cover nuts

2. Remove the cover from the body. If necessary, use a soft hammer to tap the cover off the body studs and dowel pins.

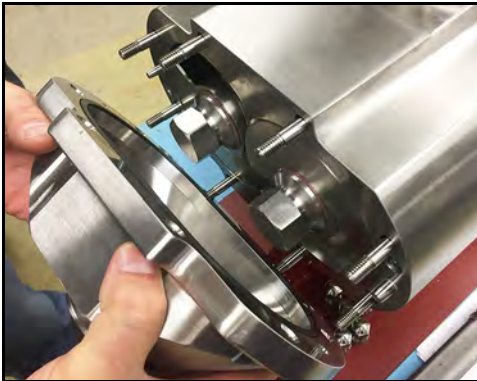


Figure 28 - Remove pump cover

### **⚠ CAUTION**

To lift the cover on a 220-UTS, attach lifting straps or chains to the eye bolt.

3. Remove and inspect the cover gasket.

**NOTE:** On the 220-UTS (not pictured), this gasket is installed in the groove on the body, not on the cover.



Figure 29 - Remove cover gasket





Figure 30 - Direction of tool



Figure 31 - Turn screws

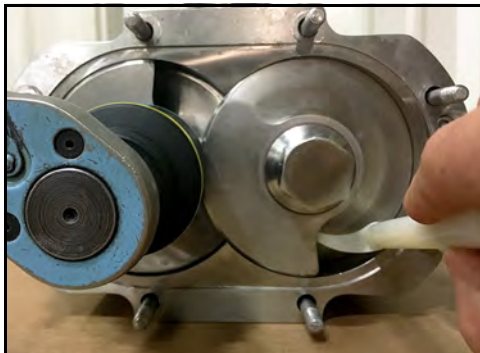


Figure 32 - Insert wedge

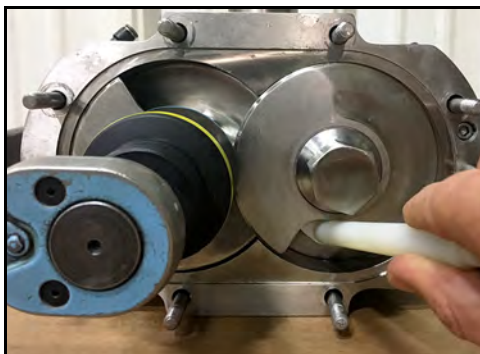


Figure 33 - Turn dowel

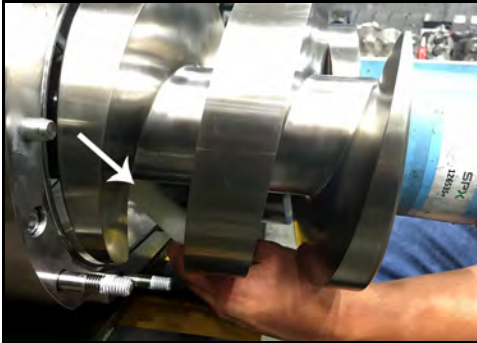
## Remove screw nuts - All models except 220-UTS

**NOTE:** For 220-UTS, skip to page 34.

1. For all models except the 220-UTS, arrange the Screw Nut Tool (part number 139883+) as shown in Figure 30, making sure the wedge curves upward to the left.
  2. Turn the screws by hand until the end of the thread of the right-hand screw is lined up to the bottom of the body as shown in Figure 31.
  3. Insert the wedge of the assembly tool into the gap behind the right-hand screw thread.
  4. Turn the tool clockwise until the wedge is in contact with the screws. Begin to loosen the left-hand screw nut with the wrench. The wedge should begin to engage in between the outside diameter of the left-hand screw and root diameter of the right-hand screw. This prevents the screws from turning.
  5. With the wedge engaged, loosen the left-hand screw nut. When the screw nut is loose, remove it by hand.
- NOTE:** If the wedge does not engage soon enough, it may be pushed out of place before the screw nut is loosened. If this occurs, insert the wedge again and make sure the tip of the wedge is located in between the screws.
6. After removing the left-hand screw nut, switch the wrench to the right-hand screw nut and turn it counter-clockwise. This releases the assembly tool.



**Figure 34 - Insert dowel**



**Figure 35 - Block screw**



**Figure 36 - Insert block**



**Figure 37 - Remove screw nuts**

7. Turn the right-hand screw until the end of the thread of the left-hand screw lines up with the top.
8. Insert the screw nut tool in the gap between the left-hand screw thread and the outside diameter of the right-hand screw. This blocks the screws from turning.
9. Loosen the right-hand screw nut, then remove it by hand.
10. Skip to "Remove screws" on page 35.

### Remove screw nuts - 220-UTS only

1. Using the screw blocker (part number 139790+), block the left-hand screw from the back of the screw as shown in Figure 31 and loosen the left-hand screw nut.
2. Insert the blocker in the left-hand screw thread as shown in Figure 36. Loosen the right-hand screw nut.
3. Remove both screw nuts.

**NOTE:** An alternate method to removing the left-hand screw nut: Use a wrench and a plastic mallet to jar the screw nut loose, then secure the coupling with a pipe wrench.



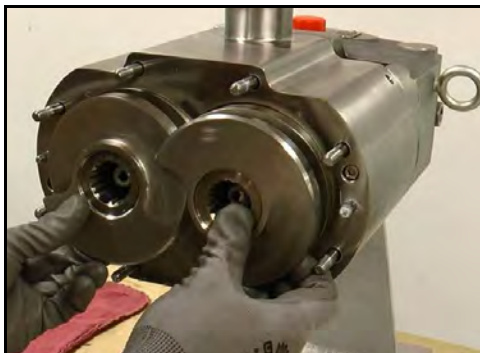
**Figure 38 - Remove screw nut O-ring**



**Figure 39 - Remove washer retainer O-ring**



**Figure 40 - Install Belleville washer**



**Figure 41 - Remove screws**

## Remove screws

1. Remove the screw nut O-ring from the outer O-ring groove on each screw nut.
2. Remove the washer retainer O-ring from the inner O-ring groove on each screw nut.
3. Remove the Belleville washers from the screw nuts. Inspect the washers and replace them if damaged.
4. Remove the screws simultaneously (030-UTS shown).

### **⚠ WARNING**

The pump components and piping may contain sharp edges. Handle the screw screws carefully because edges may be sharp. Wear gloves while installing and servicing the pump to help avoid injuries from these hazards.

### **⚠ CAUTION**

To lift the screws on the 130-UTS and 220-UTS, please have your maintenance department seek advice for safe lifting practices for objects weighing in excess of 40 lb (18 kg). The screw surfaces must be protected to maintain the 32 Ra surface finish for sanitary applications. It may be necessary to design or purchase a specialized lifting tool to cradle and lift the screws when meshed.



Figure 42 - Screws arranged LH - RH

5. Make note of which screw is the right-hand screw (marked RH), and which is the left-hand screw (marked LH), for later reassembly.

**NOTE:** The markings are on the front of the screw in the recessed area around the shaft spline hole.

The SPX FLOW part number is also marked here; the smaller/lower part number goes on the right-hand side.

### Remove seal cap and seal



Figure 43 - Remove seal cap assembly

1. Remove the seal cap assembly (seal cap and seal seat) from each shaft.



Figure 44 - Remove seal seat from seal cap

2. Remove the seal seat from the seal cap and place it on a clean, protected surface.



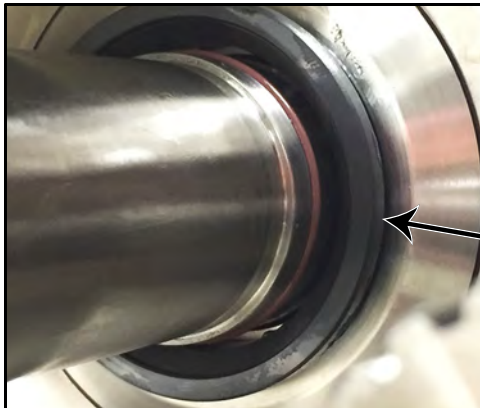
Figure 45 - Remove cap-to-screw O-ring

3. Remove the cap-to-screw O-ring from the smaller side (product side) of the seal cap.



**Figure 46 - Remove cap-to-seat O-ring**

4. Remove the cap-to-seat O-ring from the larger side (flush side) of the seal cap.

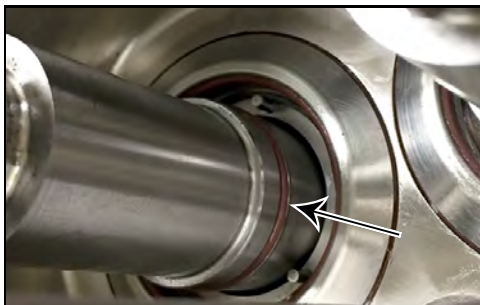


**Figure 47 - Remove seal**

### Removing seal without removing body

**NOTE:** Steps 1-4 below are shown without removing the pump body. These steps can also be performed after the pump body is removed. To remove the seal after removing the pump body, skip to "Remove pump body" on page 38.

1. Remove the seal from each shaft.



**Figure 48 - Remove shaft O-ring**

2. Remove the shaft O-ring from the O-ring groove on each shaft, as shown in Figure 48.



**Figure 49 - Remove carrier-to-seal O-ring**

3. Remove the carrier-to-seal O-ring from each shaft. If necessary, use the O-ring removal tool (part number AD0096001) or an ice pick to aid in removing this O-ring.

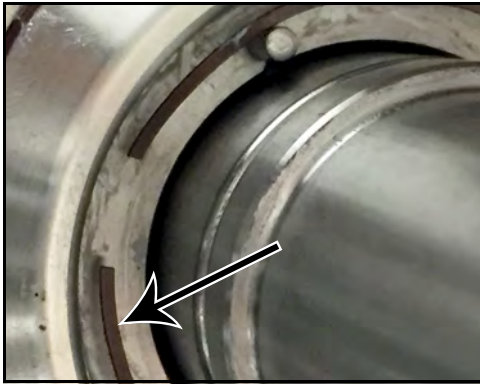


Figure 50 - Remove seal wave spring

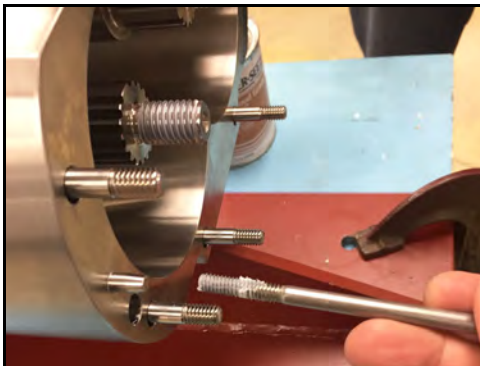


Figure 51 - Remove body retaining screws

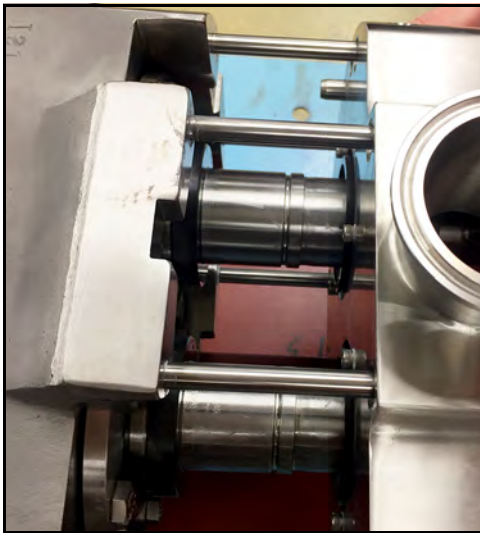


Figure 52 - Remove pump body

4. Remove and inspect the seal wave spring on each shaft.

### Remove pump body

1. Using an Allen wrench, remove the two body retaining screws. (The body retaining screws are located next to the small dowel pins on the body. See the diagram on page 100. The body retaining screws are item 11.)

2. Remove the pump body and place it on a protected surface. When removing the pump body, be careful not to damage the seals with the shafts.

**⚠ CAUTION**

To lift the body of a 130-UTS, use a lifting strap or chain threaded through the eye bolt on the body.

**⚠ CAUTION**

To lift the body of a 220-UTS, use a lifting strap threaded through the vertical port on the body, and the front of the body (not through the shaft bores).

For a double seal, continue.

For a single seal, skip to step 1 on page 40.

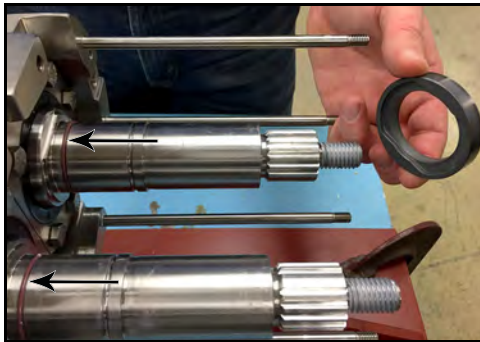
**Double seal - remove seals**

1. (Double seal only) Remove the seal seats from the shafts by hand. Pull the seal seats toward the end of the shafts. The arrows in Figure 53 show the seal seat location.



**Figure 53 - Remove seal seats**

2. (Double seal only) After removing the seal seat, remove the shaft O-rings from the O-ring groove closest to the gear case.



**Figure 54 - Remove shaft O-rings**

3. (Double seal only) Remove the seal from the seal carrier, and place it on a clean, protected surface.



**Figure 55 - Remove seal**

### Single and double seal - remove seal carrier

1. Using an Allen wrench, remove the three cap screws holding the seal carrier to the body.

**NOTE:** It can be helpful to loosen the cap screws halfway and then lightly tap them with a hammer in order to help remove the seal carrier.



Figure 56 - Remove cap screws

2. Remove the seal carrier from the body.

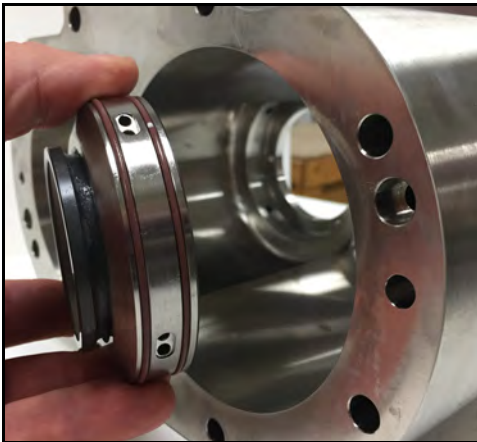


Figure 57 - Remove seal carrier from body

### Removing seal after body is removed

1. Remove the seal from the product side of the seal carrier, and place it on a clean, protected surface.

**NOTE:** The product side of the seal carrier has an angle and has no mounting holes.

**NOTE:** This step can also be performed with the body installed. See "Removing seal without removing body" on page 37.



Figure 58 - Remove seal

2. Remove the carrier-to-seal O-ring from the product side of the seal carrier.

**NOTE:** This step can also be performed with the body installed. See "Removing seal without removing body" on page 37.

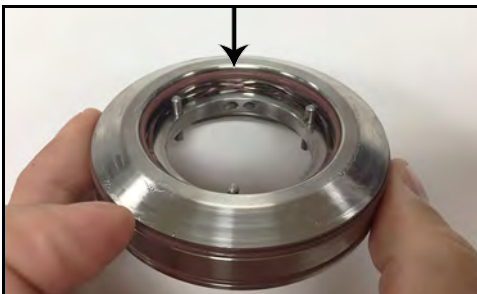


Figure 59 - Carrier-to-seal O-ring installed





Figure 60 - Seal wave spring

3. Remove the seal wave spring from the product side of the seal carrier.

For a single seal, skip to step 5.

For a double seal, continue.

**NOTE:** This step can also be performed with the body installed. See "Removing seal without removing body" on page 37.

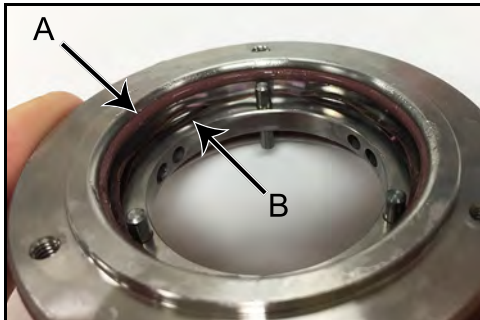


Figure 61 - O-ring and wave spring

4. For a double seal, remove the carrier-to-seal O-ring (A) and the seal wave spring (B) from the flush side of the seal carrier.

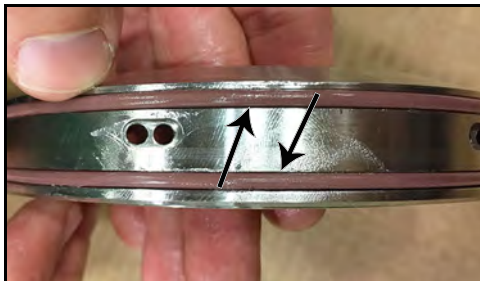


Figure 62 - Carrier-to-body O-rings

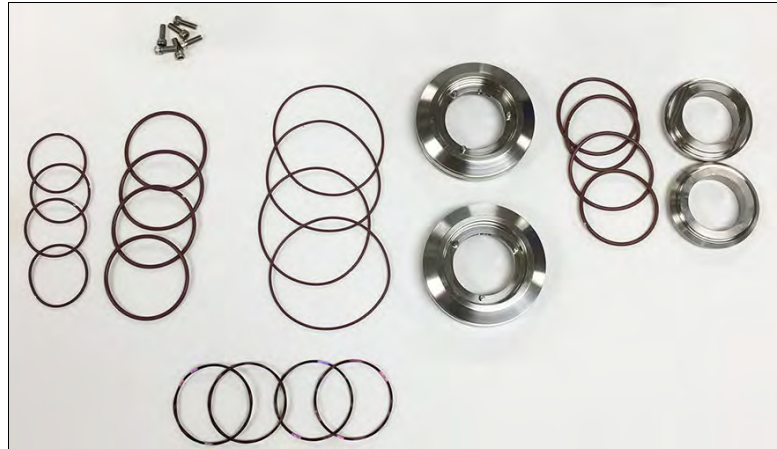
5. Remove the carrier-to-body O-rings from the two grooves on the outside of the seal carrier.

## Fluid Head Assembly

### **⚠ WARNING**

The pump components and piping may contain sharp edges. Handle the screws carefully because edges may be sharp. Wear gloves while installing and servicing the pump to help avoid injuries from these hazards.

### Seal assembly



**Figure 63 - Seal Assembly Components**



**Figure 64 - Seal Carrier**

1. Lubricate the carrier-to-body O-rings and install them onto the two grooves on the outside of the seal carrier.



**Figure 65 - O-rings installed**

2. Figure 65 shows the carrier-to-body O-rings installed on the seal carrier.

### Installing seals before installing body

**NOTE:** Steps 1-4, 7, and 8 can be performed after installing the body; see "Installing seals after the body is installed" on page 50.

1. Install the seal wave spring into the product side of the seal carrier.

**NOTE:** The product side of the seal carrier has an angled surface and has no mounting holes.



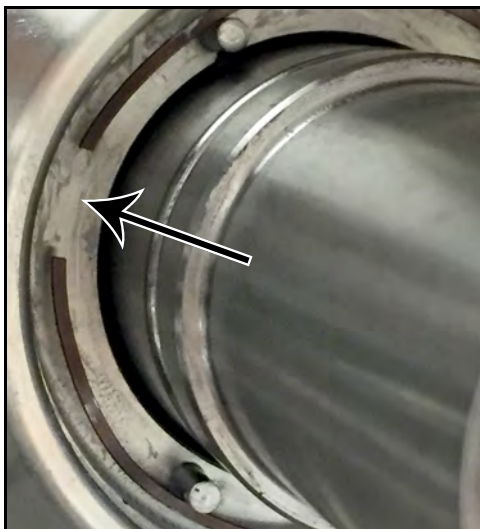
**Figure 66 - Seal wave spring**



**Figure 67 - Seal wave spring installed**

2. Figure 67 shows the seal wave spring installed in the seal carrier.

**NOTE:** Make sure the wave spring is positioned on the outside of the pins.



**Figure 68 - Seal wave spring position**

**NOTE:** On the 015-UTS and 220-UTS, the wave spring is a single layer. Make sure that the gap in the wave spring is positioned between the pins.



Figure 69 - Carrier-to-seal O-ring

3. Lubricate the carrier-to-seal O-ring and install it in the groove on the inside of the of the seal carrier. This O-ring groove is located on the product side of the seal carrier.

**NOTE:** The product side of the seal carrier has an angled surface and has no mounting holes.

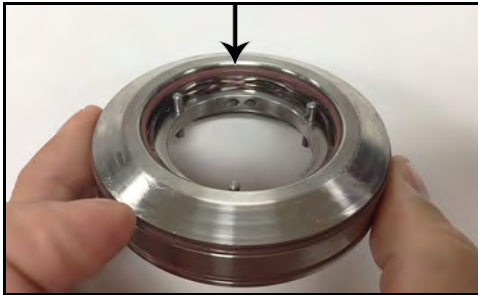


Figure 70 - Carrier-to-seal O-ring installed

4. Figure 70 shows the carrier-to-seal O-ring installed in the product side of the seal carrier.

For a single seal, skip to step 7.

For a double-seal, continue.



Figure 71 - Seal wave spring installed

5. For a double-seal, flip the seal carrier over and install the second seal wave spring on the flush side of the seal carrier.

**NOTE:** On the 015-UTS and 220-UTS, the wave spring is a single layer. Make sure that the gap in the wave spring is positioned between the pins. See Figure 68 on page 43.

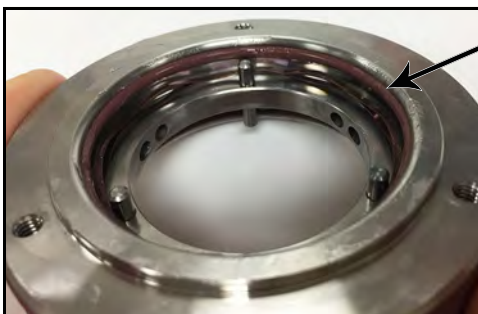


Figure 72 - Carrier-to-seal O-ring installed

6. (Double seal only) Lubricate and install the second carrier-to-seal O-ring in the flush side of the seal carrier.



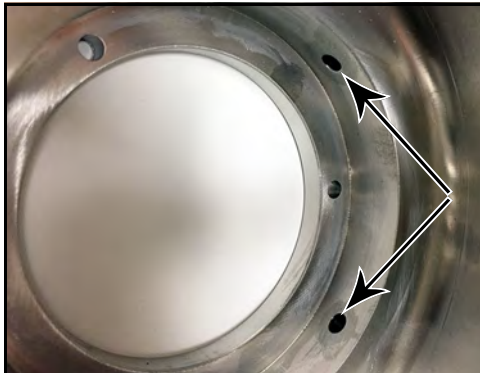
Figure 73 - Lubricate and install seal

7. Lubricate the outer diameter of the seal (see Figure 81 on page 46) and place it in the product side of the seal carrier. Align the slots in the seal with the pins in the seal carrier.



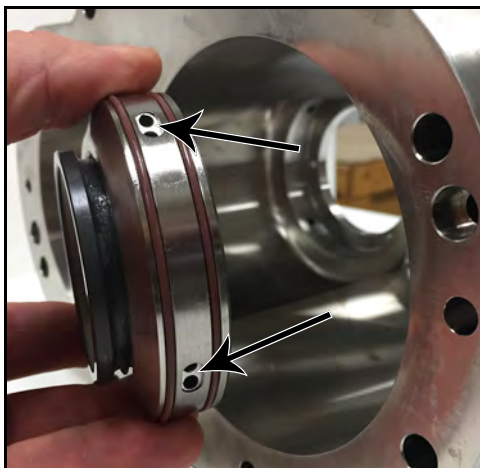
**Figure 74 - Install seal**

8. Make sure the slots in the seal align with the pins in the seal carrier, then press down evenly on all sides of the seal to install it in the seal carrier.
9. Repeat steps 1 to 8 for the seal carrier for the other shaft.



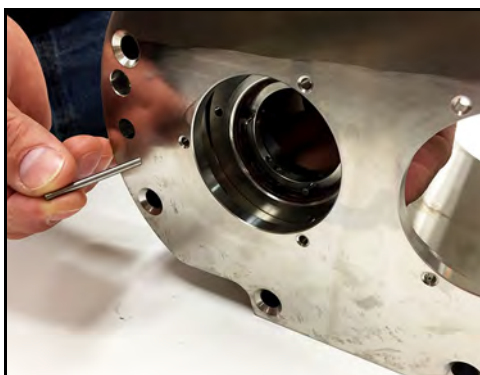
**Figure 75 - View of flush holes on inside of pump body**

10. The flush holes in the body are located toward the outside of the body (not toward the middle).



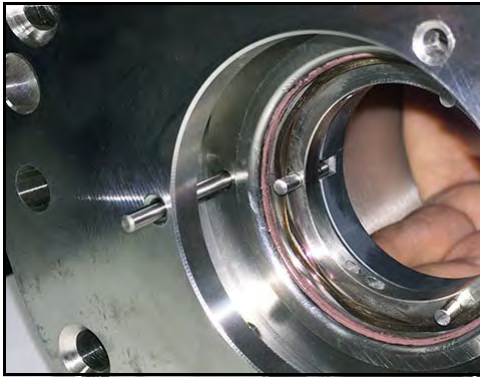
**Figure 76 - Install seal carrier in body**

11. Install the seal carrier into the body, making sure to line up the flush holes in the seal carrier with the flush holes in the body.



**Figure 77 - Use drift pin to align holes**

12. On the back side of the body, use an appropriately-sized drift pin to align the holes in the seal carrier with the holes in the body.



**Figure 78 - Use drift pin to align holes**



**Figure 79 - Apply anti-seize**



**Figure 80 - Install with cap screws**



**Figure 81 - Lubricate the outer diameter of the seal**

13. Figure 78 shows the drift pin aligning the holes in the seal carrier with the holes in the body. (Double seal shown.) Once aligned, remove the drift pin.

14. Apply anti-seize to the six socket head cap screws.

15. Using an Allen wrench, install the seal carrier into the body with 3 cap screws. Snug down the cap screws by hand, taking care not to over-tighten. (Double seal shown.)

16. Repeat to install the second seal carrier in the body.

For a single seal, skip to step 5 on page 48.

For a double seal, continue.

17. (Double seal only) Lubricate the outer diameter of the seal to ease assembly. This seal is installed in the flush side of the seal carrier, from the back side of the body.



**Figure 82 - Install seal**

18. (Double seal only) Align the drive slots in the seal with the pins on the seal carrier, then press the seal into the carrier.

**NOTE:** This may require a hard push, but use caution not to break the seal.

19. (Double seal only) Repeat steps 17 and 18 to install the seal in the second seal carrier.

### Install body

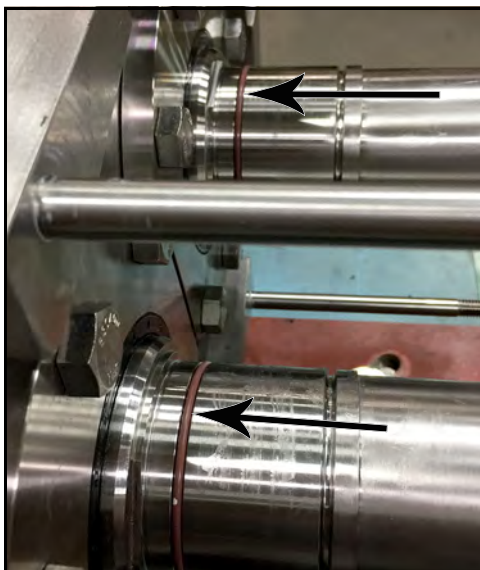
For a single seal, skip to step 5 on page 48.

For a double seal, continue.



**Figure 83 - Lubricate O-rings**

1. (Double seal only) Lubricate two shaft O-rings.



**Figure 84 - Install shaft O-rings**

2. (Double seal only) Install one O-ring on each shaft in the O-ring groove closest to the gear case, as shown in Figure 84.

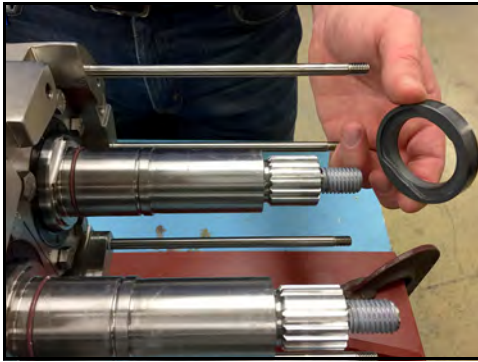


Figure 85 - Install seal seats

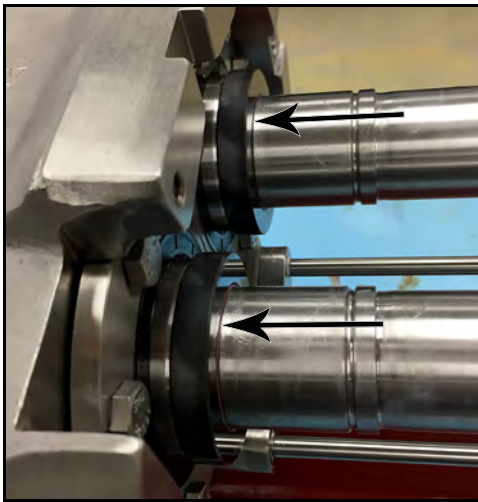


Figure 86 - Seal seats installed



Figure 87 - Install pump body onto shafts

3. (Double seal only) Line up the flats on the inside seal seat with the flats on the shaft, and slide the seal seats over the O-ring, until they are seated against the base of the shaft.

4. (Double seal only) Make sure the seal seat is seated against the flats on the shaft, locking the seal seat against the base of the shaft. The arrows in Figure 86 show the seal seat location.

**NOTE:** These steps apply to both the single and double seal. Double seal is shown.

5. Use the studs to help center the pump body. Slide the pump body all the way on until it is seated against the gear case.

**NOTE:** Be very careful not to damage the seals while installing the pump body on the shafts.

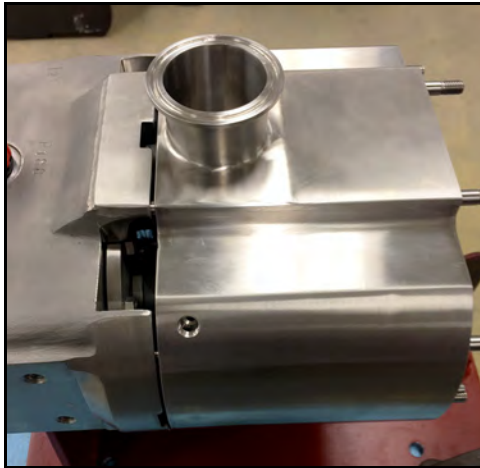
**⚠ CAUTION**

To lift the body of a 130-UTS, use a lifting strap or chain threaded through the eye bolt on the body.

**⚠ CAUTION**

To lift the body of a 220-UTS, use a lifting strap threaded through the vertical port on the body, and the front of the body (not through the shaft bores).





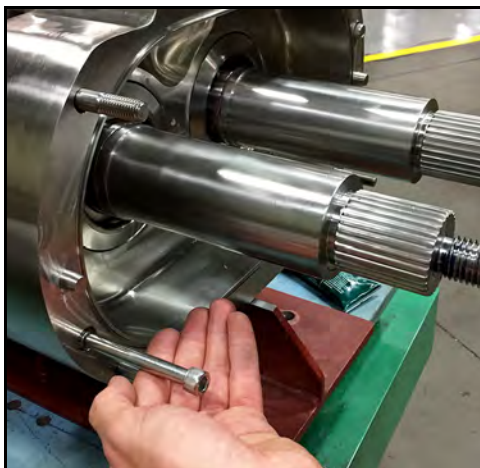
**Figure 88 - Pump body installed**

6. Figure 88 shows the pump body installed.



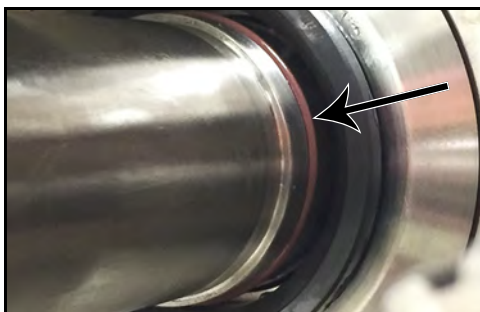
**Figure 89 - Apply anti-seize to threads**

7. Apply anti-seize to the threads of the body retaining screws.



**Figure 90 - Install body retaining screws**

8. Using an Allen wrench, install the two body retaining screws in the holes next to the dowel pins, and hand-tighten. (220-UTS shown.)



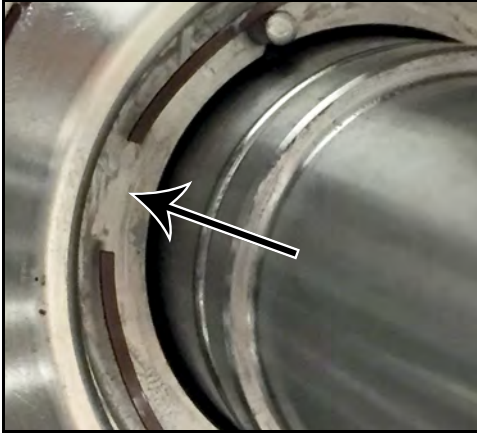
**Figure 91 - Install shaft O-ring**

9. If the seal has already been installed, lubricate the shaft O-ring, then slide the shaft O-ring over the shoulder in the shaft, and install it into the O-ring groove. See Figure 91. Repeat for the second shaft, then skip to “Seal cap assembly” on page 51.

**Installing seals after the body is installed**

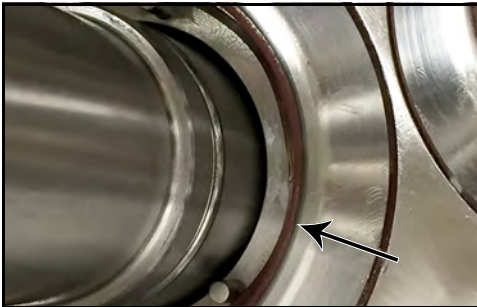
1. Install the seal wave spring on each shaft.

**NOTE:** On the 015-UTS and 220-UTS, the wave spring is a single layer. Make sure that the gap in the wave spring is positioned between the pins as shown in Figure 92.



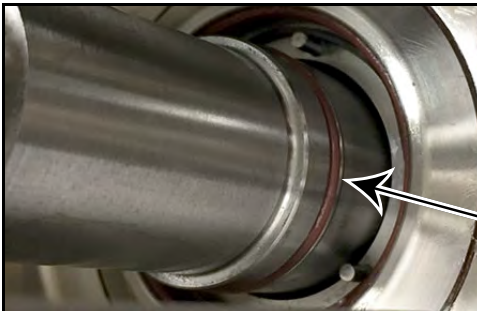
**Figure 92 - Seal wave spring position**

2. Lubricate the carrier-to-seal O-ring and install it in the groove on the inside of the seal carrier.



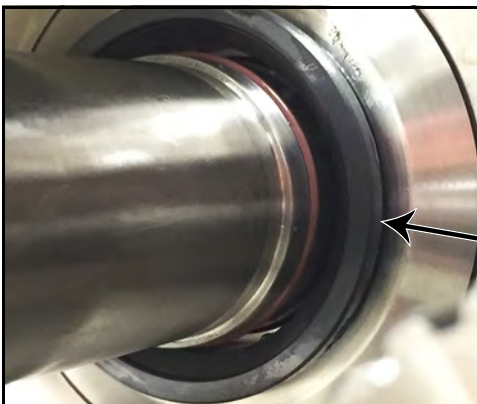
**Figure 93 - Install carrier-to-seal O-ring**

3. Lubricate the shaft O-ring. Slide the shaft O-ring over the shoulder in the shaft, and install it into the O-ring groove, as shown in Figure 94. Repeat for the second shaft.



**Figure 94 - Install shaft O-ring**

4. Align the drive slots in the seal with the pins on the seal carrier, then press the seal into the seal carrier.



**Figure 95 - Install seal**

## Seal cap assembly

Applies to both single and double seals.



**Figure 96 - Seal Cap Assembly Components**



**Figure 97 - Install cap-to-seat O-ring**

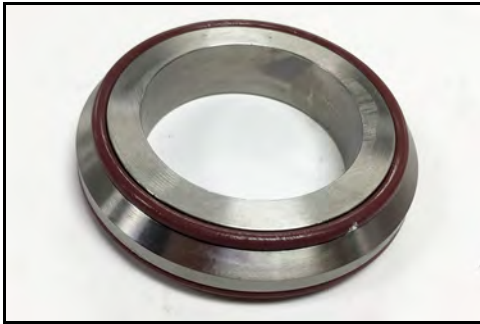


**Figure 98 - Cap-to-seat O-ring installed**



**Figure 99 - Install cap-to-screw O-ring**

1. Place the seal cap on a protected surface, making sure the side with the milled flats is facing up. Lubricate the cap-to-seat O-ring and install it on the seal cap. Repeat for the second seal cap.
2. Figure 98 shows the cap-to-seat O-ring installed on the seal cap.
3. Lubricate and install the cap-to-screw O-ring on the opposite side of the seal cap (the side without the milled flats). Repeat for the second seal cap.



**Figure 100 - Cap-to-screw O-ring installed**



**Figure 101 - Line up seal cap and seal seat**



**Figure 102 - Seal seat installed on seal cap**



**Figure 103 - Install seal cap assembly**



**Figure 104 - Seal cap installed on shaft**

4. Figure 100 shows the cap-to-screw O-ring installed on the seal cap.
5. Line up the flats on the seal cap, with the flats on the seal seat, and place the seal seat on the seal cap.
6. Figure 102 shows the seal seat installed on the seal cap.
7. Install the seal cap assembly on the shaft. Make sure the face of the seal seat is seated against the face of the seal previously installed on the shaft.
8. Figure 104 shows the seal cap assembly installed on the shaft. See the note next to Figure 105 on page 53.

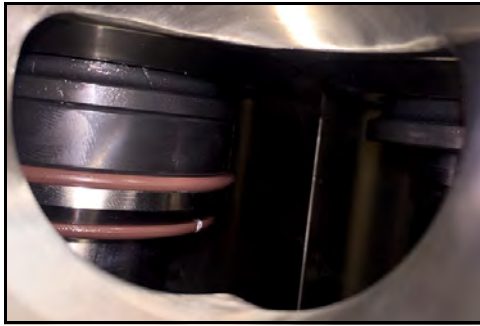


Figure 105 - View through port

**NOTE:** If the port is not connected to piping, look through it to visually confirm that all the O-rings and seal faces are installed correctly.

## Install screws

### ⚠ WARNING

The pump components and piping may contain sharp edges. Handle the screws carefully because edges may be sharp. Wear gloves while installing and servicing the pump to help avoid injuries from these hazards.



Figure 106 - Apply anti-seize

1. Apply anti-seize to the inner rim of the screw to ease assembly.



Figure 107 - Arrange screws: LH-RH

2. Looking at the front of the pump, arrange the screws so the screw marked LH is on the left side, and the screw marked RH is on the right side.

**NOTE:** The markings are on the front of the screw in the recessed area around the shaft spline hole.

The SPX FLOW part number is also marked here; the smaller/lower part number goes on the right-hand side.

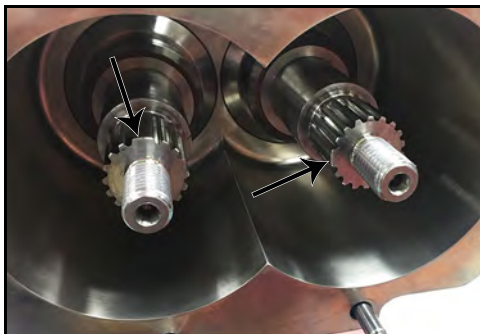


Figure 108 - Align screw and shaft spline

3. Look at the position of the indexing tooth on each shaft spline and roughly align the screw splines to match.

### ⚠ CAUTION

To lift the screws on the 130-UTS and 220-UTS, please have your maintenance department seek advice for safe lifting practices for objects weighing in excess of 40 lb (18 kg). The rotor surfaces must be protected to maintain the 32 Ra surface finish for sanitary applications. It may be necessary to design or purchase a specialized lifting tool to cradle and lift the screws when meshed.

4. For 220-UTS, skip to step 7 on page 54.

For all other sizes, continue.



Figure 109 - Install screws

5. (All sizes except 220-UTS) Making sure each screw spline roughly matches the indexing tooth of each shaft spline (see arrows in Figure 108 on page 53), slide the screws onto the shafts as a pair.
6. (All sizes except 220-UTS) Once the beginning of the shaft spline meets the screw spline, make sure that the indexing teeth are lined up exactly. Lift up slightly on the screws, then push on the screws so that the splines engage. Push the screws onto the shafts completely, until they are flush with the edge of the seal caps.

**⚠ WARNING**

*Pinch point: Be careful not to pinch your fingers between the screws and the pump body.*

**⚠ WARNING**

*The pump components and piping may contain sharp edges. Handle the screws carefully because edges may be sharp. Wear gloves while installing and servicing the pump to help avoid injuries from these hazards.*

**⚠ CAUTION**

*To lift the screws on the 130-UTS and 220-UTS, please have your maintenance department seek advice for safe lifting practices for objects weighing in excess of 40 lb (18 kg). The screw surfaces must be protected to maintain the 32 Ra surface finish for sanitary applications. It may be necessary to design or purchase a specialized lifting tool to cradle and lift the screws when meshed.*

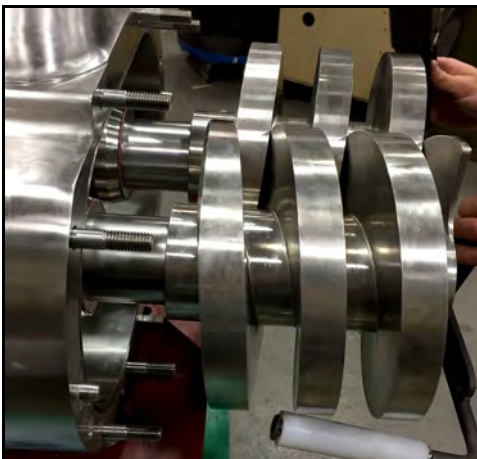


Figure 110 - Slide screws onto shafts

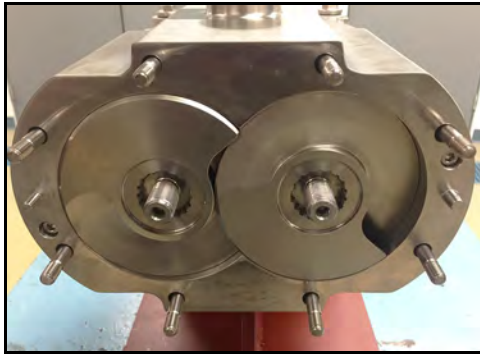
7. (220-UTS) Roughly line up the indexing teeth of the screw and shaft splines, then slide the screws onto the shafts as a pair. The screws will go on about halfway and then stop. At this point you can let the screws rest on the shafts.
8. (220-UTS) Lift up slightly on the screws, then slide them on, up to the splines. Make sure the indexing teeth are lined up exactly, then lift up slightly on the screws and push them on completely, until the screws are flush with the edge of the seal caps.

**⚠ WARNING**

*Pinch point: Be careful not to pinch your fingers between the screws and the pump body.*

**⚠ WARNING**

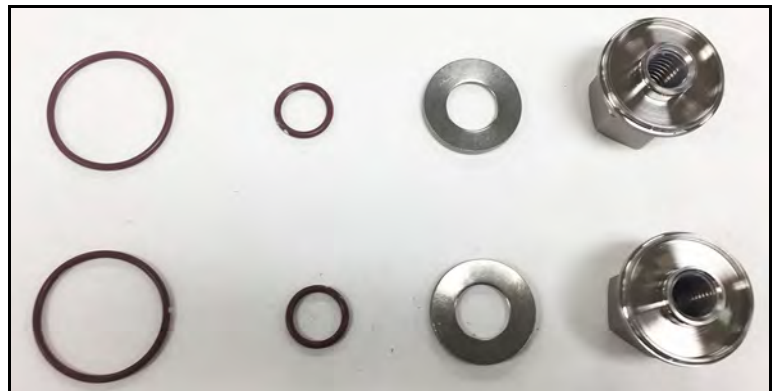
*The pump components and piping may contain sharp edges. Handle the screw screws carefully because edges may be sharp. Wear gloves while installing and servicing the pump to help avoid injuries from these hazards.*



**Figure 111 - Screws installed**

- Figure 111 shows the screws installed in the pump (030-UTS pictured).

### Screw nut assembly



**Figure 112 - Screw Nut Components**



**Figure 113 - Install belleville washer**

- Assemble the screw nuts: Place the belleville washer onto the screw nut. The belleville washer must be installed so the outer edge of the washer raises up over the edge of the screw nut.



**Figure 114 - Install washer retainer O-ring**

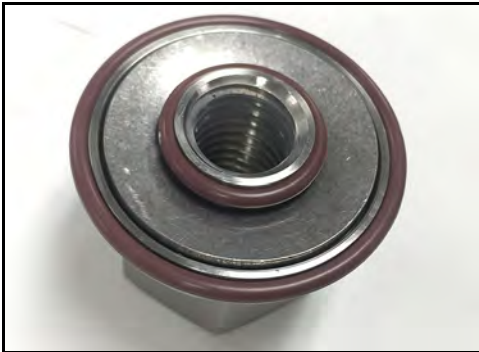
- Install the washer retainer O-ring onto the inner O-ring groove on the screw nut.



**Figure 115 - Belleville washer installed**



**Figure 116 - Install screw nut O-ring**



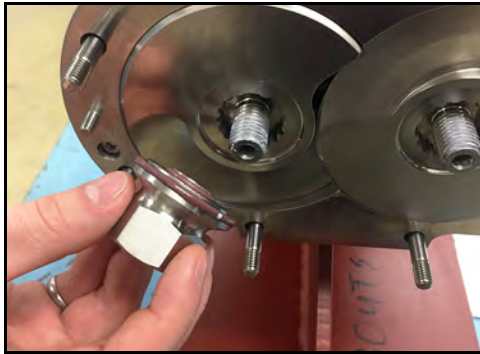
**Figure 117 - Screw nut assembly**



**Figure 118 - Apply anti-seize**

3. Figure 115 shows the washer retainer O-ring and belleville washer correctly installed. If the edge of the washer is lower than the edge of the nut, flip the washer over.
4. Install the screw nut O-ring onto the outer O-ring groove on the screw nut. Lubricate the O-ring.
5. Figure 117 shows the belleville washer and O-rings correctly installed.
6. Repeat for the second screw nut.
7. Apply anti-seize to the threads on the shafts.

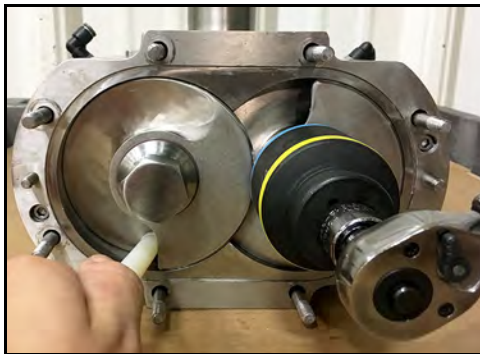




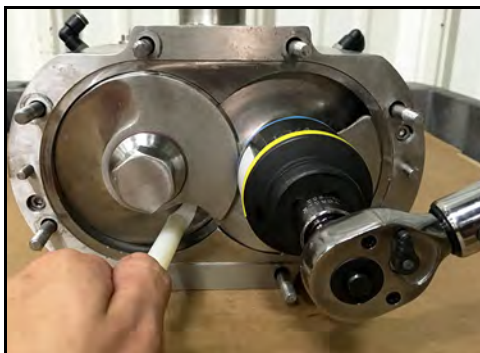
**Figure 119 - Install screw nuts**



**Figure 120 - Direction of tool**



**Figure 121 - Insert wedge**



**Figure 122 - Turn dowel**

## Installing screw nuts - all models except 220-UTS

**NOTE:** For 220-UTS, skip to page 58.

1. Install the screw nuts on the pump shafts and hand-tighten.
2. For all models except the 220-UTS, arrange the Screw Nut Tool (part number 139883+) as shown in Figure 120, making sure the wedge curves upward to the right.
3. Turn the screws so that the end of the thread of the left-hand screw is lined up with the bottom of the body. Insert the wedge component of the assembly tool into the gap behind the left-hand screw thread.
4. Turn the dowel counter-clockwise until the wedge is in contact with the screws. Begin to torque down the right-hand screw nut with the wrench. The wedge should begin to engage in between the outside diameter of the right-hand screw and root diameter of the left-hand screw. This prevents the screws from turning.
5. With the wedge engaged, torque down the right-hand screw nut to the specification below.

**Table 4: Torque Values - Screw Nut (015-130-UTS)**

015-UTS	30 ft-lb (41 N·m)
030-UTS	55 ft-lb (68 N·m)
130-UTS	120 ft-lb (163 N·m)

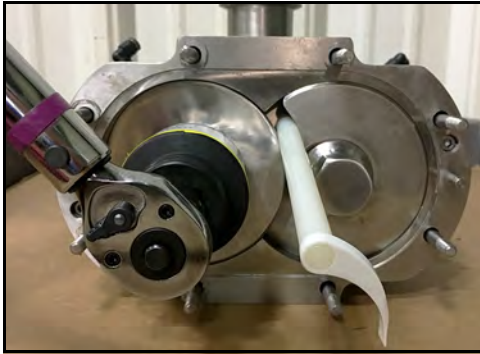


Figure 123 - Insert dowel

6. After the right-hand screw nut is torqued down, switch the wrench to the left-hand screw nut and turn clockwise. This will release the assembly tool.
7. Turn the right-hand screw until the end of the thread of the right-hand screw lines up with the top.
8. Insert the screw nut tool in the gap between the right-hand screw thread and the outside diameter of the left-hand screw. This blocks the screws from turning.
9. With the wedge engaged, torque down the left-hand screw nut to the specification below.

015-UTS	30 ft-lb (41 N·m)
030-UTS	55 ft-lb (68 N·m)
130-UTS	120 ft-lb (163 N·m)

10. Remove the screw nut tool and spin the pump over to confirm it rotates freely. If the pump does not spin over freely, fix the interference before starting the pump.

**NOTE:** To time the screws, see “Install Gears and Time Screws” on page 81.

To install the cover, skip to page 59.

### Installing screw nuts - 220-UTS only

1. Install and hand-tighten both screw nuts.



Figure 124 - Install screw nuts

2. (220-UTS only) Turn the screws so that the end of the thread of the right-hand screw is lined up to the top. Insert the screw blocker (part number 139790+) into the gap behind the right-hand screw thread. With the block engaged, torque down the left-hand screw nut to 275 ft-lb (373 N·m).



Figure 125 - Torque left screw nut

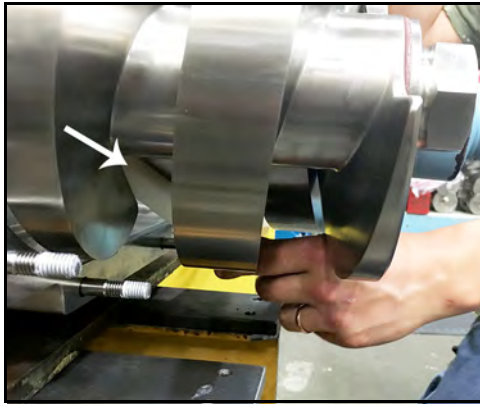


Figure 126 - Block right screw

- (220-UTS only) After tightening the left-hand screw nut, block the right-hand screw from the back of the screw as shown in Figure 126. Torque the right hand screw nut to 275 ft-lb (373 N·m).

**NOTE:** An alternate method to installing the right-hand screw nut: Use a wrench to secure both screw nuts simultaneously, then secure the coupling with a pipe wrench.

- Remove the screw blocker and spin the pump over to confirm it rotates freely. If the pump does not spin over freely, fix the interference before starting the pump.

**NOTE:** To time the screws, see "Install Gears and Time Screws" on page 81.

### Install cover

- Install the cover gasket, flat side facing up, into the groove in the cover. (On the 220-UTS (not pictured), this gasket is installed in the groove on the body, not on the cover.)

**NOTE:** It may be helpful to lubricate the cover gasket to help hold the gasket in place in the groove.

**NOTE:** For the 220-UTS, it may also be helpful to place four dots of lubricant at four spots in the groove, to help hold the gasket in place.



Figure 127 - Install cover gasket

- All sizes except 220-UTS: Align the cover holes with the lower cover studs, then slide the cover onto the pump.

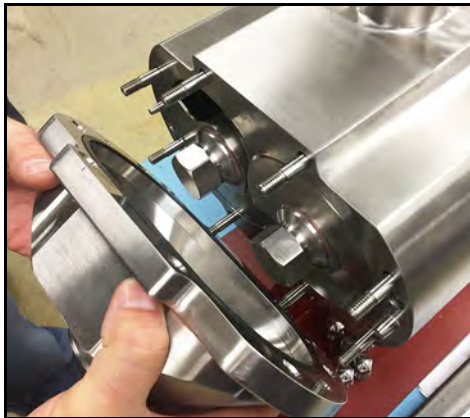


Figure 128 - Install pump cover



Figure 129 - 220-UTS Install pump cover

3. 220-UTS only: Align the cover dowel pins with the holes in the cover, and slide the pump cover over the screws onto the pump.

**⚠ CAUTION**

To lift the cover on a 220-UTS, attach lifting straps or chains to the eye bolt.



Figure 130 - Seat pump cover against pump body

4. Seat the pump cover against the pump body (220-UTS pictured).



Figure 131 - Apply anti-seize to threads

5. Apply anti-seize to the threads of the cover studs.



Figure 132 - Torque cover nuts

6. Torque the cover nuts to the specified torque (see below).

Table 6: Torque Values - Cover Nut	
015-UTS	7 ft-lb (10 N·m)
030-UTS	11 ft-lb (15 N·m)
130-UTS	25 ft-lb (34 N·m)
220-UTS	55 ft-lb (75 N·m)

## Gear Case Disassembly

**⚠ DANGER**

To avoid serious injury, DO NOT install, clean, service, or repair the pump unless all power is off and locked out and the pump is de-pressurized.

**⚠ DANGER**

To avoid serious injury, shut off and drain product from the pump prior to disconnecting piping.

**⚠ CAUTION**

To lift the gear case assembly on the 130-UTS or 220-UTS, attach lifting straps/chains to the two eye bolts on either side of the gear case.

### Remove oil drain plugs and cover

1. Remove one of the oil drain plugs (location shown in Figure 133, item 45) and drain the oil. Check the oil for signs for moisture; when contaminated with water, oil makes an emulsion similar to mayonnaise.

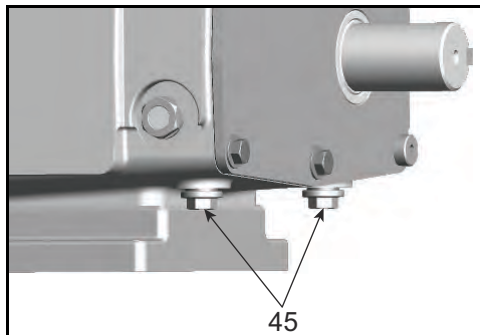


Figure 133 - Remove oil drain plug

2. Remove the fasteners from the gear case cover; the two socket head shoulder bolts (Figure 134, item 59) from the two holes by the drive shaft, and the four (six on the 220-UTS) hex head cap screws (item 60) from the remaining holes.

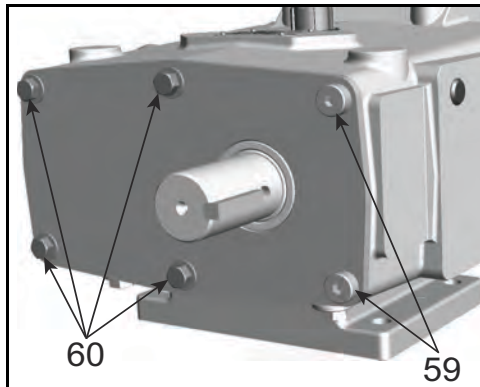
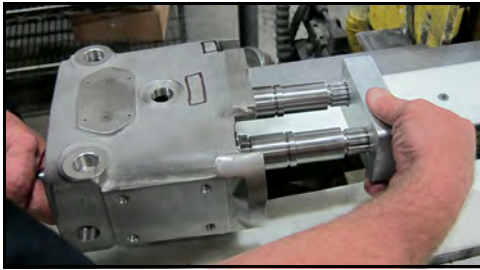


Figure 134 - Remove fasteners

3. Remove the gear case cover. Discard the cover gasket.



Figure 135 - Remove gear case cover



**Figure 136 - Block shafts**



**Figure 137 - Loosen bolts in locking assembly**



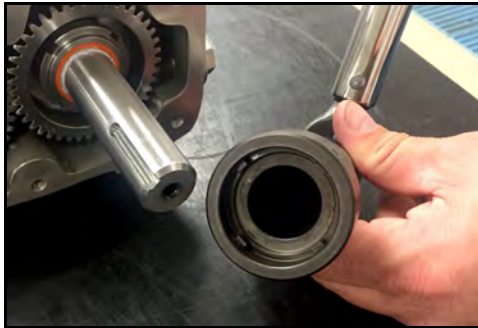
**Figure 138 - Locking assembly**



**Figure 139 - Remove gear**

## Remove gear from short shaft

1. Block the shafts from turning.
2. With an Allen wrench, loosen the screws in the locking assembly by quarter turns, until you can see a few threads.
3. If the locking assembly does not self-release, tap the screws lightly with a mallet (or use thread jacking holes) to loosen the gear.
4. Pull the gear and locking assembly off the shaft and place it on a protected surface.



**Figure 140 - Gear nut driver tool**

### Remove gear from drive shaft

1. Align the tabs on the socket of the gear nut driver tool (part numbers on page 116) with the indents on the locking nut.



**Figure 141 - Loosen locking nut**

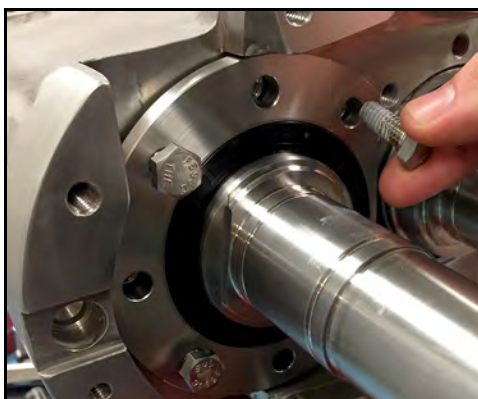
2. Loosen the locking nut.



**Figure 142 - Remove locking nut and gear**

3. Remove the locking nut.

**NOTE:** The locking nut is one-time use only; discard it after removal and replace it with a new locking nut when reassembling.



**Figure 143 - Loosen and remove bearing retainer screws**

### Remove shaft

1. Loosen and remove the bearing retainer screws.



Figure 144 - Remove bearing retainer

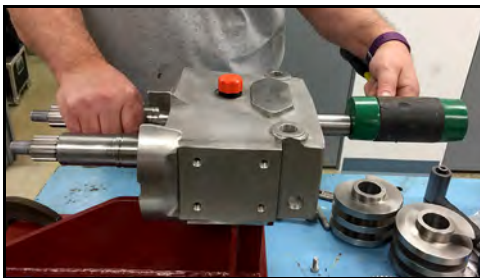


Figure 145 - Tap drive shaft out of gear case



Figure 146 - Pull drive shaft out of gear case



Figure 147 - Tap short shaft out of gear case

2. Remove the bearing retainers.

3. Grasp the shaft with one hand and tap it out of the gear case with a rubber mallet as shown in Figure 145.

**NOTE:** A hydraulic press may be required to remove the shafts.

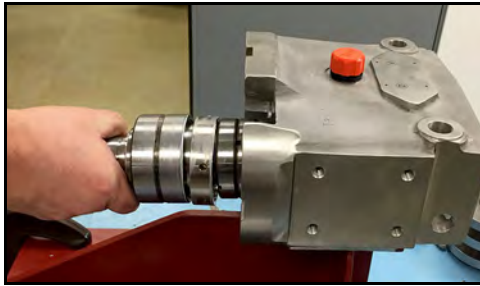
4. Pull the drive shaft out of the gear case. Remove the drive gear.

**CAUTION**

To lift the shafts on the 220-UTS, please have your maintenance department seek advice for safe lifting practices for objects weighing in excess of 40 lb (18 kg).

5. With a rubber mallet, tap the short shaft out of the gear case.





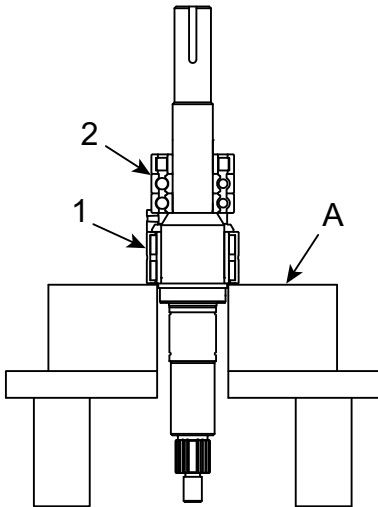
**Figure 148 - Pull short shaft out of gear case**

6. Pull the short shaft out of the gear case.

### Shaft disassembly

1. Before pressing, remove the outer race of the needle roller bearing.
2. Use a hydraulic press and V-blocks Figure 149, item A) to remove the bearings (items 1 and 2) and gear spacer (on drive shaft only, not shown).

**NOTE:** Make sure both ends of the shaft are protected when removing the shaft.



**Figure 149 - Press bearings off shaft**

## Gear Case Assembly

**⚠ DANGER**

To avoid serious injury, DO NOT install, clean, service, or repair the pump unless all power is off and locked out. and the pump is de-pressurized.

**⚠ DANGER**

To avoid serious injury, shut off and drain product from the pump prior to disconnecting piping.

### Shaft assembly

**Table 7: Shaft assy. components**

Items needed, top, L-R in Figure 150 and Figure 151):

Needle roller bearing

Bearing spacer

Four point angular contact bearing

(x 2 per shaft, shown with plastic insert)

Cylindrical roller bearing

Figure 150, far right: Gear spacer

Figure 151, far right: Locking nut



**Figure 150 - Drive Shaft: Assembly items needed**



**Figure 151 - Short Shaft: Assembly items needed**

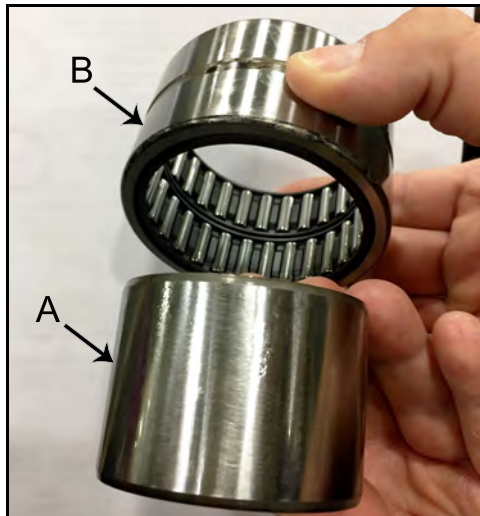


**Figure 152 - Apply anti-seize**

1. Apply a light coat of anti-seize to the circumference of the shaft as shown in Figure 152.

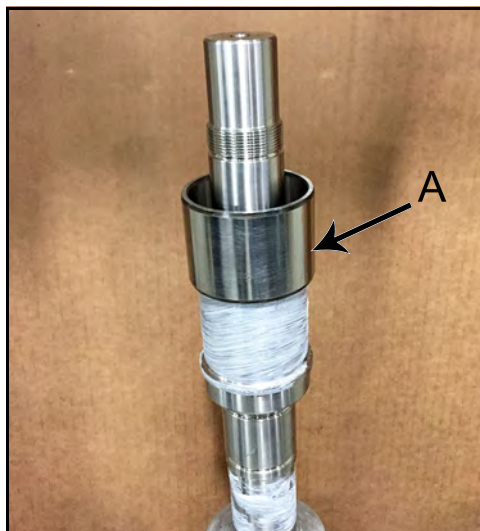
**⚠ CAUTION**

To lift the shafts on the 220-UTS, please have your maintenance department seek advice for safe lifting practices for objects weighing in excess of 40 lb (18 kg).



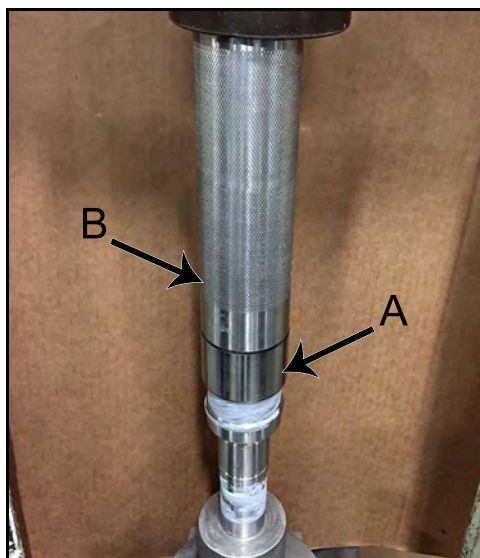
**Figure 153 - Remove outer race of needle roller bearing**

2. Remove the outer race (Figure 153, item B) of the needle roller bearing. (The inner race is item A.)



**Figure 154 - Place inner race on shaft**

3. Place the inner race of the needle roller bearing (Figure 154, item A) onto the shaft.



**Figure 155 - Press race onto shaft**

4. Press the inner race of the needle roller bearing (Figure 155, item A) onto the shaft as shown. Figure 155, item B is a bearing press assembly tool.

**NOTE:** The outer race of the needle roller bearing is installed later on page 77.



**Figure 156 - Inner race installed on shaft**

5. Press the inner race of the needle roller bearing onto the shaft until it seats against the lip of the shaft.



**Figure 157 - Place bearing spacer on shaft**

6. Place the bearing spacer onto the shaft as shown in Figure 157.

**NOTE:** Make sure the angled side (see arrow) of the bearing spacer is facing down toward the needle roller bearing.



**Figure 158 - Bearing spacer installed**

7. Figure 158 shows the bearing spacer in place on the shaft.

**NOTE:** Make sure the flat side of the bearing spacer is facing up.

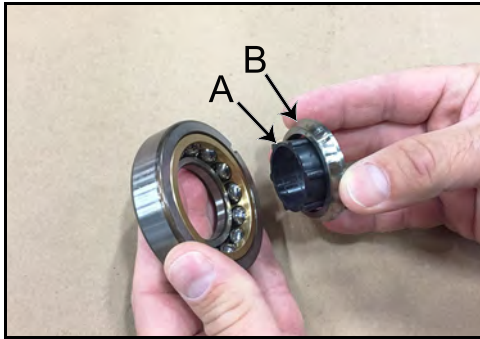


Figure 159 - Remove insert and race



Figure 160 - Remove bottom race



Figure 161 - Apply anti-seize to shaft



Figure 162 - Place race onto shaft

8. Remove the plastic insert (Figure 159, item A) and race (B) from one of the two four point angular contact bearings.

**NOTE:** There are two four point angular contact bearings per shaft, and two races per bearing. The races are installed on the shaft individually, so for ease of identification during assembly, keep the races paired with the bearings. When you remove the races, face them toward the side of the bearing from which they have been removed.

9. Remove the race from the other side of the four point angular contact bearing.

**NOTE:** There are two four point angular contact bearings, so make sure the races remain in position in relation to each bearing. The smaller side of each race always faces in toward the ball bearings; the larger flanged side of each race always faces out.

10. Apply a light coat of anti-seize to the shaft.

11. Place one race from the four point angular contact bearing onto the shaft. Note the position of the race. Make sure the flange faces down toward the shaft as shown in Figure 162.



**Figure 163 - Press race onto shaft**



**Figure 164 - Race pressed on shaft**



**Figure 165 - Place bearing onto race**

12. Press the race of the four point angular contact bearing onto the shaft. Make sure it seats against the step on the shaft as shown in Figure 163.

13. Figure 163 shows the race seated against the step on the shaft.

14. With the slot on the bearing facing down, place the four point angular contact bearing onto the race.

**NOTE:** The slot location does not affect the function.



**Figure 166 - Place race on shaft**



**Figure 167 - Race installed on shaft**



**Figure 168 - Place race on shaft**



**Figure 169 - Press race into bearing**

15. Place the second race of the four point angular contact bearing onto the shaft. Note the position of the race. Make sure the narrower side of the race faces down toward the ball bearings, as shown in Figure 166.

16. Press the race into the bearing.

17. Figure 167 shows the four point angular contact bearing installed on the shaft.

18. Place the race of the next four point angular contact bearing onto the shaft. Note the position of the race. Make sure the flanged side of the race faces down toward the shaft, as shown in Figure 168.

19. Press the race of the next four point angular contact bearing onto the shaft, until it seats against the angular contact bearing installed in step 17.



**Figure 170 - Place bearing onto race**



**Figure 171 - Place race on shaft**



**Figure 172 - Press race into bearing**



**Figure 173 - Second bearing installed**

20. Place the four point angular contact bearing onto the race.

21. Place the second race of the four point angular contact bearing onto the shaft. Note the position of the race. Make sure the narrower side of the race faces down toward the ball bearings as shown in Figure 171.

22. Press the race of the four point angular contact bearing onto the shaft, until it seats into the bearing.

23. Figure 173 shows the second four point angular contact bearing installed.

24. Apply anti-seize to the shaft.





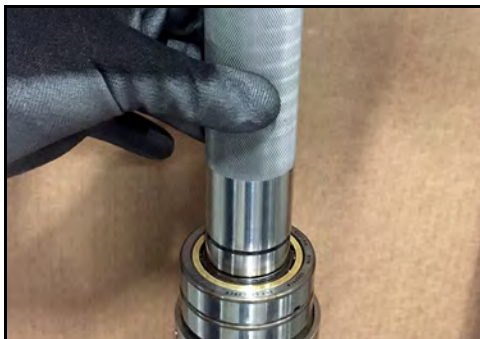
**Figure 174 - Remove race from bearing**

25. Remove the inner race of the cylindrical roller bearing.



**Figure 175 - Place race onto shaft**

26. Place the inner race of the cylindrical roller bearing onto the shaft.



**Figure 176 - Press race onto shaft**

27. Press the inner race of the cylindrical roller bearing onto the shaft until it contacts the four point angular contact bearing already installed.



**Figure 177 - Place bearing onto race**

28. Place the outer race of the cylindrical roller bearing onto the inner race installed on the shaft.

29. For the drive shaft, repeat steps 1 through 28, then skip to step 33. For the short shaft, continue.



Figure 178 - Place locking nut onto shaft



Figure 179 - Torque down locking nut

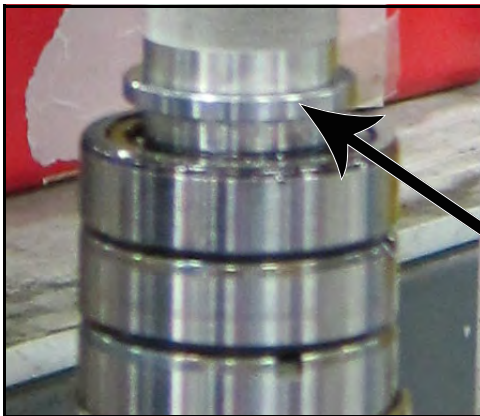


Figure 180 - Press gear spacer on drive shaft

- 30. Short shaft only: Apply anti-seize to the shaft.  
Place a new locking nut onto the shaft, and screw it on finger-tight.

- 31. Short shaft only: Place the shaft in a holding device clamped into a vise, then torque down the locking nut onto the shaft.

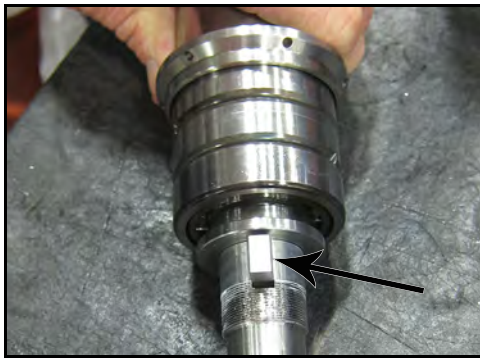
Table 8: Torque Values - Locking Nut	
015-UTS	75 ft-lb (102 N·m)
030-UTS	100 ft-lb (136 N·m)
130-UTS	140 ft-lb (190 N·m)
220-UTS	230 ft-lb (312 N·m)

**CAUTION**

To lift the shafts on the 220-UTS, please have your maintenance department seek advice for safe lifting practices for objects weighing in excess of 40 lb (18 kg).

- 32. Short shaft only: skip to “Install shafts in gear case” on page 75.
- 33. Drive shaft only: Press the gear spacer onto the shaft until it contacts the cylindrical roller bearing already installed.

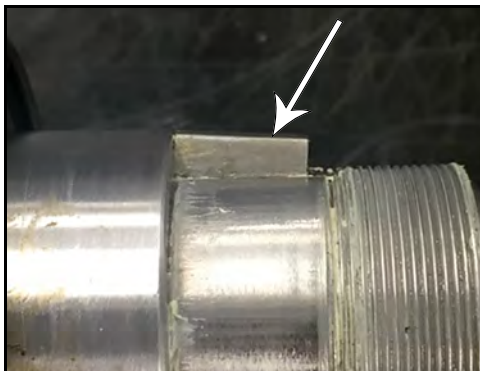
**NOTE:** Make sure the gear spacer is positioned so that the flanged side is up.



**Figure 181 - Place key in keyway**



**Figure 182 - Tap key into keyway**



**Figure 183 - Position key**



**Figure 184 - Apply anti-seize**

34. Drive shaft only: Place the key in the keyway on the shaft.

35. Drive shaft only: Tap the key in with a hammer.

36. Drive shaft only: Position the key so that it is angled down slightly toward the end of the shaft (toward the threads). This aids in installing the gear over the key.

### Install shafts in gear case

1. Place the gear case on an arbor press. Apply anti-seize to the lip of the shaft bores.

#### **⚠ CAUTION**

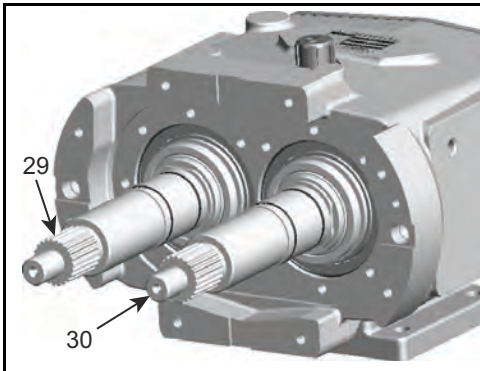
*To lift the gear case assembly on the 130-UTS or 220-UTS, attach lifting straps/chains to the two eye bolts on either side of the gear case.*



**Figure 185 - Spread even layer**



**Figure 186 - Place short shaft in bore**



**Figure 187 - Drive shaft (29) left-hand side,  
Short shaft (30) right-hand side**

2. Rub a finger around the bore to spread the anti-seize in a thin, even layer around the inner lip of the bore.

3. Place the short shaft into the shaft bore, right-hand side as shown in Figure 186.

**CAUTION**

To lift the shafts on the 220-UTS, please have your maintenance department seek advice for safe lifting practices for objects weighing in excess of 40 lb (18 kg).

**NOTE:** In Figure 186, the gear case is positioned on end; the bottom of the gear case (with 4 holes for the mounting foot), facing toward the camera. The top of the gear case (the side with the nameplate and hole for the oil breather plug) is facing away from the camera.

**NOTE:** The UTS pump can only be mounted in one direction, so the shafts must be installed in the respective shaft bores as shown in Figure 186 and Figure 187.

4. Figure 187 shows the gear case with shafts and mounting foot installed. In this view, the drive shaft (29) is on the left and the short shaft (30) is on the right.



**Figure 188 - Place outer race on shaft**

5. Place the outer race of the needle roller bearing on the short shaft.

**NOTE:** The inner race of the needle roller bearing was pressed onto the shaft in step 3 on page 67.

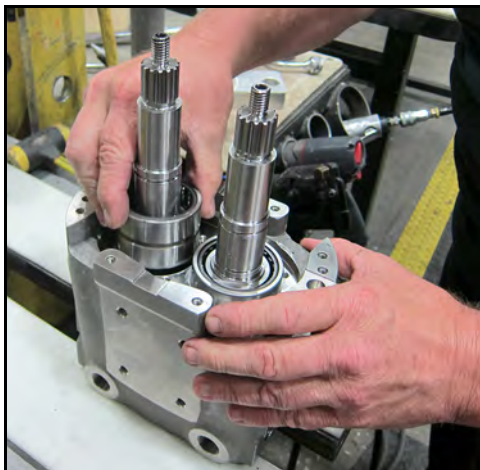


**Figure 189 - Place drive shaft in bore**

6. Place the drive shaft in the left-hand bore as shown in Figure 189.

**⚠ CAUTION**

To lift the shafts on the 220-UTS, please have your maintenance department seek advice for safe lifting practices for objects weighing in excess of 40 lb (18 kg).



**Figure 190 - Place outer race on shaft**

7. Place the outer race of the needle roller bearing on the drive shaft.

**NOTE:** The inner race of the needle roller bearing was pressed onto the shaft in step 3 on page 67.



**Figure 191 - Tap shafts to center in bores**

8. Tap the shafts with a hammer to center them in the bores.



**Figure 192 - Shafts seated in gearcase**

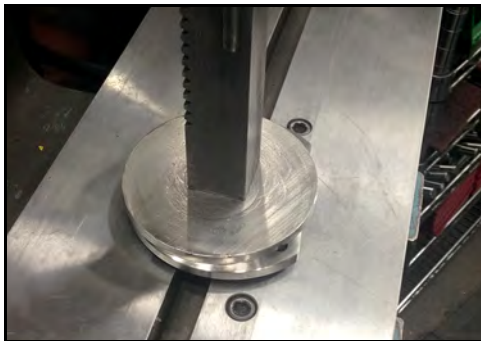
9. Using a press, press on the outer race of each needle roller bearing until the outer bearing race seats in the gear case as shown in Figure 192.

### Install Bearing Retainers

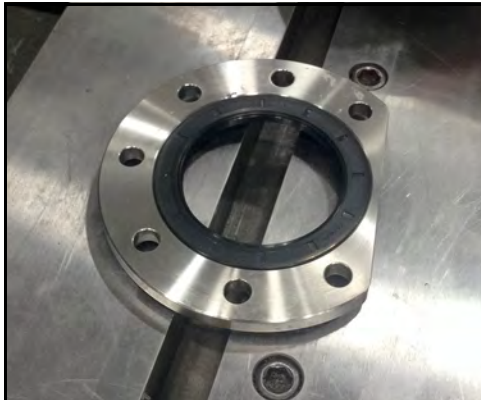
1. Center the bearing retainer seal on the bearing retainer with the flat side of the seal facing up, as shown in Figure 193.



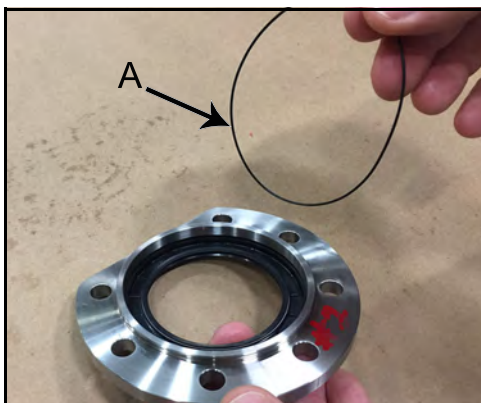
**Figure 193 - Center bearing retainer seal**



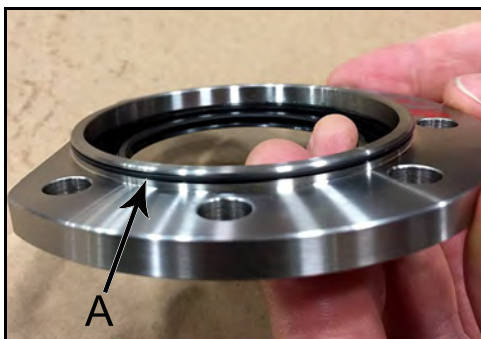
**Figure 194 - Install bearing retainer seal**



**Figure 195 - Bearing retainer seal installed**



**Figure 196 - Install bearing retainer O-ring**



**Figure 197 - Bearing retainer O-ring installed**

2. Press to install the bearing retainer seal into the bearing retainer.
3. When correctly installed, the flat portion of the seal should be flush with the bearing retainer.
4. Repeat for the second bearing retainer.
5. Assemble the bearing retainer O-ring (item A) on the bearing retainer.
6. Figure 197 shows the bearing retainer O-ring (A) installed on the bearing retainer.
7. Repeat for the second bearing retainer.

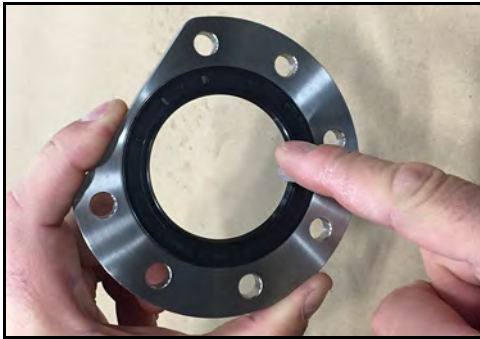


Figure 198 - Apply lubricant



Figure 199 - Install bearing retainer

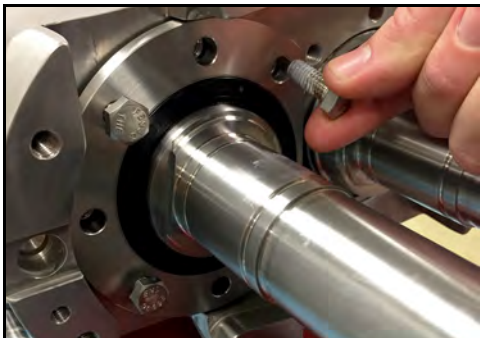


Figure 200 - Install screws

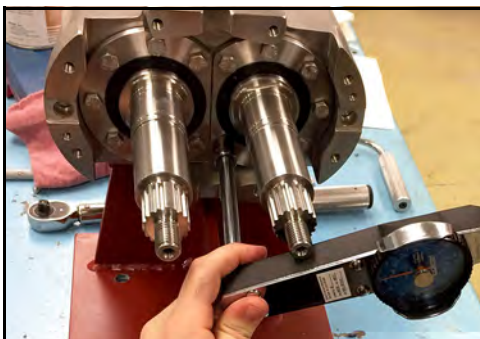


Figure 201 - Torque bearing retainer screws

8. Apply lubricant between the lips of the bearing retainer seal.

9. Install the bearing retainer on the shaft. Make sure the flat side of the bearing retainer faces the middle of the pump as shown in Figure 199.

10. Push one edge of the bearing retainer down, leaving the other side up, then apply pressure while slipping the other edge of the lip seal over the shaft.

**NOTE:** check to make sure that the lip seal did not roll during the installation.

11. Repeat for the second bearing retainer on the other shaft.

12. Apply anti-seize to the screws and install them in the bearing retainer as shown in Figure 200. Lightly snug down the screws by hand.

13. In an alternating pattern, torque the bearing retainer screws by hand to the specified torque listed below.

Table 9: Torque Values - Bearing Retainer Screws	
015-UTS	24 in-lb (2 ft-lb) 3 N·m
030-UTS	84 in-lb (7 ft-lb) 9 N·m
130-UTS	180 in-lb (15 ft-lb) 20 N·m
220-UTS	300 in-lb (25 ft-lb) 34 N·m



## Install Gears and Time Screws

### Tools Required:

- Shim pack/Feeler gauge
- Allen socket
- Socket extension
- Torque wrench
- Marker

### Install gear on drive shaft

1. Install anti-seize on the threads of the shaft. Line up the notch in the drive gear with the key on the drive shaft. Make sure the flat side of the gear faces the gear case.



Figure 202 - Install drive gear

2. Install the drive gear on the drive shaft.

**NOTE:** A mallet and press tool may be used to make sure the gear is seated against the spacer.



Figure 203 - Install drive gear

3. Place the locking nut on the drive shaft, with the nylon ring facing up as shown in Figure 204.



Figure 204 - Install locking nut



Figure 205 - Install locking nut

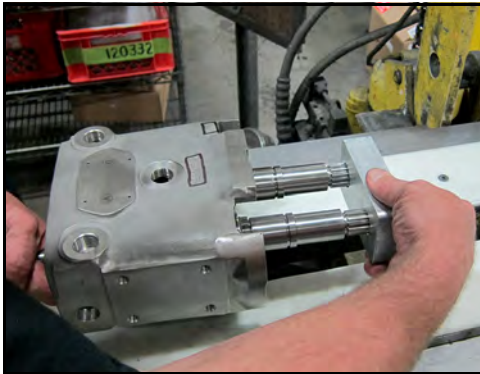


Figure 206 - Block shafts



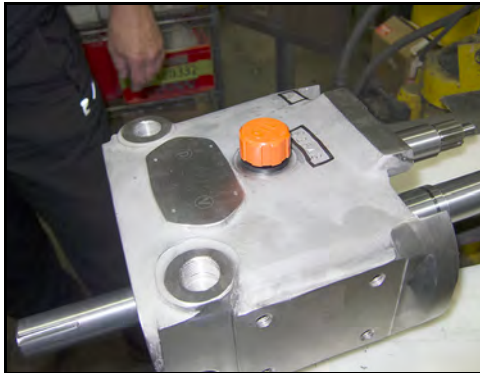
Figure 207 - Torque locking nut

4. Screw the locking nut on the drive shaft, hand-tight.
  
5. Place the gear case upright, and block the shafts from turning. See "UTS Shaft Locking Tool" on page 119 for part numbers.
  
6. Place the pump in a press (or use C-clamps) to keep it stationary, and torque the locking nut to the values below.

<b>Table 10: Torque Values - Locking Nut</b>	
015-UTS	15 ft-lb (20 N·m)
030-UTS	30 ft-lb (41 N·m)
130-UTS	45 ft-lb (61 N·m)
220-UTS	75 ft-lb (102 N·m)

**Install plugs, sight glass, eye bolts**

1. Install the oil breather plug into the hole in the gear case.



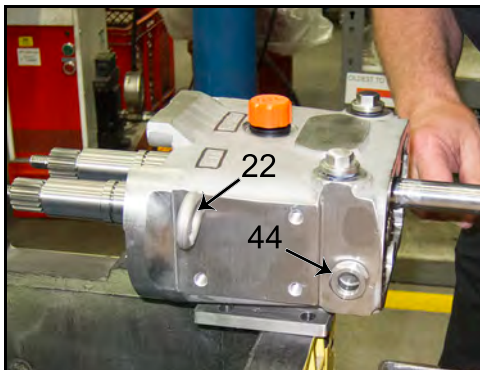
**Figure 208 - Install oil breather plug**

2. Install the oil drain plug O-rings (part number N70114, item 46 on page 102) on the oil drain plugs, then install the drain plugs on the bottom of the pump.  
Torque the plugs to 40 in-lb (4.5 N·m).



**Figure 209 - Install plugs**

3. Install the eye bolts (22) and sight glass (44).



**Figure 210 - Install sight glass and eye bolts**

## Install gear on short shaft

1. Inspect the locking assembly. If the locking assembly was exposed to gear lubricant, remove and clean the locking assembly.

To remove and clean the locking assembly:

- Remove the locking assembly and disassemble it by removing the bolts.
- Clean the parts, removing all oil residues.
- Spray the locking assembly components, including the bolts, with light oil.

**NOTE:** Do not use oils containing Molybdenum Disulfide.

- Re-assemble the locking assembly.

**NOTE:** The release threads of the inner ring must be positioned opposite to the un-drilled spaces of the outer ring.

2. Lubricate the locking assembly with light oil and place it in the gear.

**NOTE:** The bolts on the locking assembly must be loose and lightly oiled. Do not use any oil containing graphite.

**NOTE:** The gear shown in Figure 211 is from the 220-UTS. The short shaft gears on the 030-UTS and 130-UTS look similar to the 220-UTS, but the gear on the model 015-UTS has a flange in the center of the back of the gear.



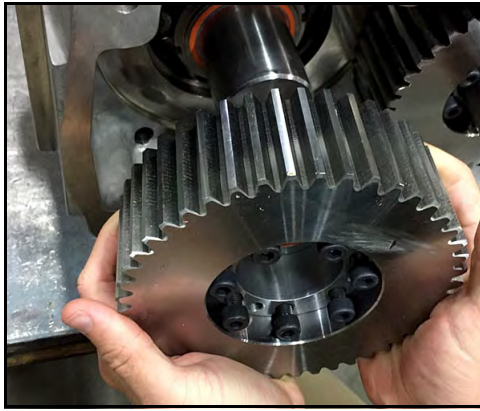
**Figure 211 - Assemble locking assembly into gear**



**Figure 212 - Place locking assembly into gear**

3. Place the locking assembly into the gear so the back of the locking assembly is even with the back of the gear.

**NOTE:** On the 015-UTS, the locking assembly seats against the flange.



**Figure 213 - Install gears onto pump shafts**

4. Install the gear onto the pump shaft as shown in Figure 213. Push the gears back until the locking assembly is resting against the locking nut.

**NOTE:** On the 015-UTS, push the gears back until the back of the gear is resting against the locking nut.



**Figure 214 - Align loose gear with drive gear**

5. Very lightly align the loose gear with the drive gear.



**Figure 215 - Install seal caps**

## Timing

1. Install the seal caps onto the shafts.

**NOTE:** Make sure the flats on the seal cap are facing towards the gearcase.

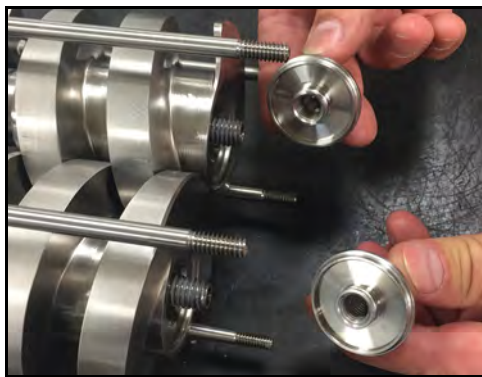


**Figure 216 - Install shafts**

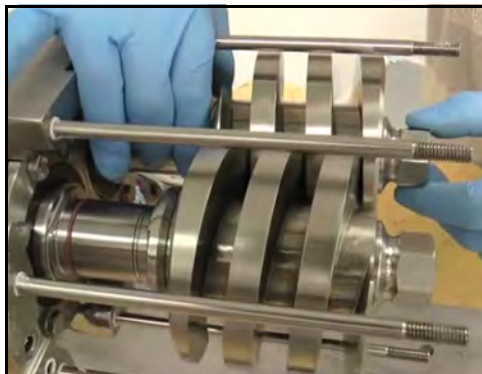
2. Install the screws onto the shafts.

### **CAUTION**

To lift the screws on the 130-UTS and 220-UTS, please have your maintenance department seek advice for safe lifting practices for objects weighing in excess of 40 lb (18 kg). The screw surfaces must be protected to maintain the 32 Ra surface finish for sanitary applications. It may be necessary to design or purchase a specialized lifting tool to cradle and lift the screws when meshed.



**Figure 217 - Install screw nuts**



**Figure 218 - Check seal caps**



**Figure 219 - Tighten screw nut**



**Figure 220 - Tighten screw nut**

3. Install the screw nuts (without the O-rings or Belleville washers).

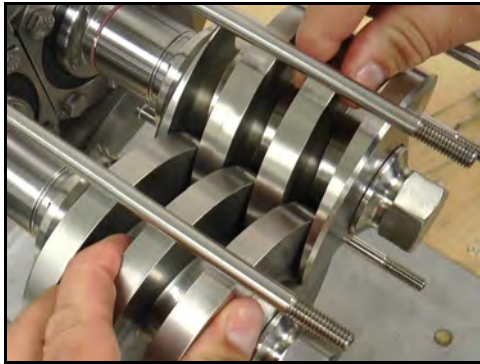
4. Tighten down the screw nuts by hand. Check to ensure that the seal caps are clamped down by the screws. If the seal caps can rotate without rotating the screws, adjust the position of the screws so that both seal caps are fully clamped down and unable to rotate. Finish by firming up the screw nuts with a wrench.

5. Using the screw nut tool or screw blocking tool to keep the screw from turning, lightly tighten the screw nut.

**NOTE:** *Screw nut tool, part number 139883+, applies to all pumps except the 220-UTS. Screw blocking tool, part number 139790+, applies to the 220-UTS only. See "Screw Nut Tool" on page 119.*

6. Block the other screw to keep it from turning, and lightly tighten the second screw nut.

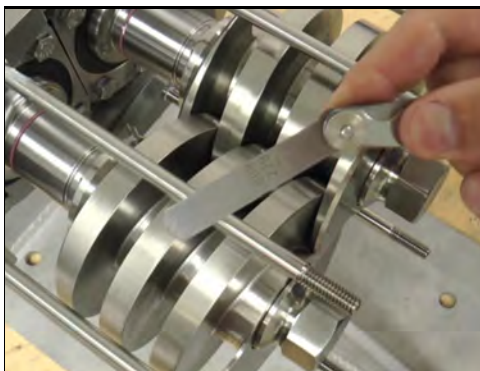
**NOTE:** *Screw nut tool, part number 139883+, applies to all pumps except the 220-UTS. Screw blocking tool, part number 139790+, applies to the 220-UTS only. See "Screw Nut Tool" on page 119.*



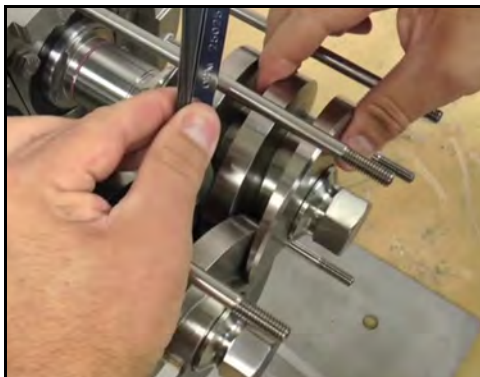
**Figure 221 - Measure clearance**



**Figure 222 - Measure clearance**



**Figure 223 - Choose feeler gauge**



**Figure 224 - Rotate screw**

7. While holding the left screw in place, rotate the right screw clockwise until it contacts the other screw.
8. With a feeler gauge, measure the open clearance between the screw flanks.
9. Choose a feeler gauge that is equal to half the screw flank clearance measured in step 8.
10. Insert the feeler gauge selected in step 9 between the screw flanks. Holding the left screw in place, rotate the right screw counter-clockwise until it securely traps the feeler gauge between the screw flanks. This balances the flank-to-flank clearances.

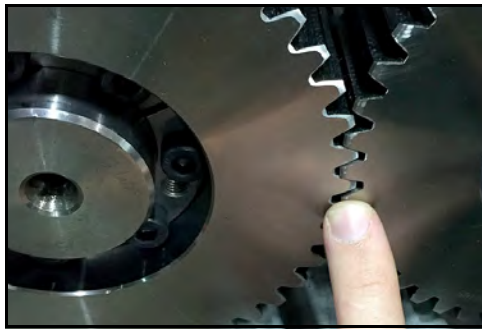


Figure 225 - Align gear

11. Align the loose gear with the drive shaft gear.

**NOTE:** It may be helpful to recess the loose gear slightly so that when it is tightened down and draws out, it aligns with the drive gear.

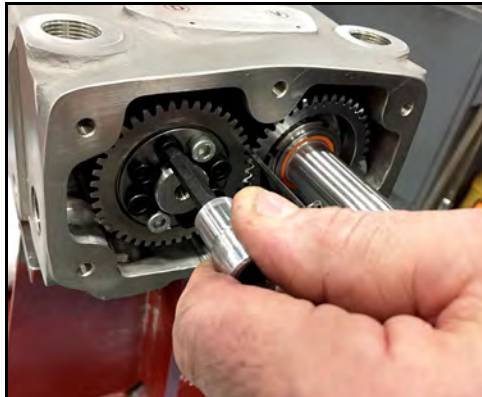


Figure 226 - Hand-tighten locking assembly bolts

12. Place a soft dowel in the gear teeth to prevent the gears from turning.

13. Hand-tighten the locking assembly bolts in an alternating pattern.

**NOTE:** To keep the screws timed correctly, it is important to tighten the second gear to the shaft without rotating the shaft.



Figure 227 - Torque locking assembly bolts

14. In an alternating pattern, torque the locking assembly bolts to half the specified torque, then to the full specified torque. See below.

Table 11: Locking Assembly				
Model	Screw Hex Size	Qty.	Half Torque	Full Torque
015-UTS	5 mm	8	63 in-lb 7 N·m	126 in-lb 14 N·m
030-UTS	5 mm	6	79 in-lb 9 N·m	158 in-lb 18 N·m
130-UTS 220-UTS	6 mm	6	189 in-lb 21 N·m	378 in-lb 43 N·m



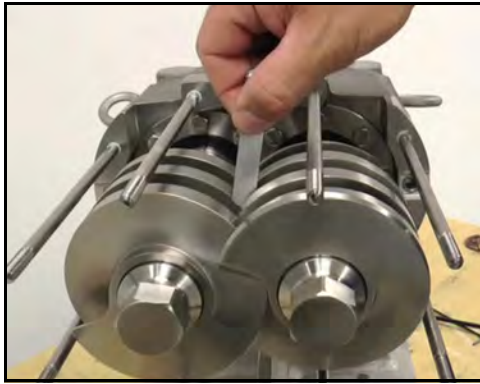


Figure 228 - Confirm the clearance

15. Confirm that the clearance between the screws is even on the front and back edges of the screw flanks. Turn the drive shaft and ensure that there is no contact at any point. If necessary, re-time the screws.



Figure 229 - Gear case cover components

### Assemble and install gear case cover

1. Place the gear case cover on a protected surface, with the inner face, facing up, as shown in Figure 229.



Figure 230 - Align screw holes

2. Align the holes in the left hand gear shroud (see note below) with the holes in the gear case cover as shown in Figure 230.

**NOTE:** On the 015-UTS, there is a right and a left gear shroud. On all other sizes, the two shrouds are identical.



Figure 231 - Apply Loctite®

3. Apply Loctite® 242 or equivalent to the shroud screws, and insert them in the holes in the shroud.



**Figure 232 - Tighten shroud screws**



**Figure 233 - Shrouds installed**



**Figure 234 - Place gasket on cover**



**Figure 235 - Install gear case cover**

4. With an Allen wrench, tighten the shroud screws till snug.
5. Repeat for the second shroud. Figure 233 shows the shrouds installed.
6. Place the gear case cover gasket on the gear case cover as shown in Figure 234, aligning the holes in the gasket with the holes in the cover.  
**NOTE:** *The gear case cover gasket is designed to compress when the back cover bolts are torqued. If you are re-installing a back cover that has previously been torqued down, replace the gear case cover gasket.*
7. Install the gear case cover on the gear case. Slide the shrouds under the gears and the drive shaft hole over the drive shaft. Make sure the gears do not contact the gear shrouds when the cover is in place.



Figure 236 - Apply anti-seize

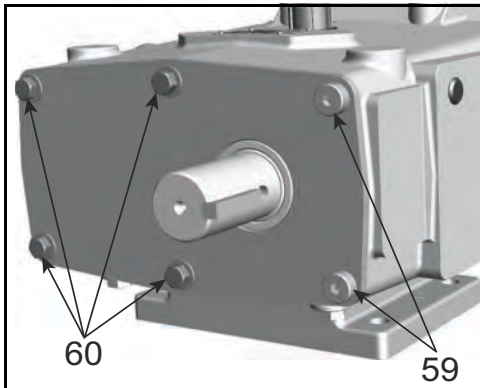


Figure 237 - Install fasteners

8. Add washers, then apply anti-seize to the gear case cover fasteners.

**NOTE:** The two socket head shoulder bolts do not have washers.

9. Install the two socket head shoulder bolts (Figure 237, item 59) in the two holes by the drive shaft, and the hex head cap screws (item 60) in the remaining holes. Snug down the bolts/screws by hand. (There are four hex head cap screws on all but the 220-UTS; six on the 220-UTS.)

10. Before torquing the bolts/screws, turn the drive shaft and ensure that the gears do not contact the gear shrouds.

**NOTE:** If there is contact, remove the cover and shift the shrouds as low on the cover as the shroud screw holes allow.

11. Torque the fasteners in an alternating pattern as specified in Table 12.

Model	HHCS, item 60	SHSB, item 59
015-UTS	88 in-lb (10 N·m)	110 in-lb (12 N·m)
030-UTS	110 in-lb (12 N·m)	132 in-lb (15 N·m)
130-UTS, 220-UTS	132 in-lb (15 N·m)	176 in-lb (20 N·m)



Figure 238 - Install oil seal

12. On the inner diameter of the oil seal, apply lubricant between the lips of the seal.

13. Install the oil seal on the drive shaft.



Figure 239 - Oil seal installed

14. Press the oil seal into the gear case cover, flush with the outside face.

### Reference Tables

Pump Model	Oil Capacity	Oil	Change oil
015-UTS	110 ml	Standard: Synthetic Mobil SHC 629-150, part no. 139215+  Food Grade: Synthetic Mobil SHC Cibus-150, part no. 139684+	250 hours, every 2000 hours thereafter*
030-UTS	216 ml		
130-UTS	525 ml		
220-UTS	1575 ml		





\* Aggressive washdown or extreme running conditions may require more frequent intervals.

For more information, see "Lubrication" on page 28.

Pump Model	Torque Values		Wrench Size	
	Screw Nut	Cover Nut	Screw Nut	Cover Nut
015-UTS	30 ft-lb (41 N·m)	7 ft-lb (10 N·m)	15/16"	5/8"
030-UTS	55 ft-lb (68 N·m)	11 ft-lb (15 N·m)	1-1/4"	
130-UTS	120 ft-lb (163 N·m)	25 ft-lb (34 N·m)	1-5/8"	7/8"
220-UTS	275 ft-lb (373 N·m)	55 ft-lb (75 N·m)	2-1/4"	

Torque Values - Gear Case				
Pump Model	Bearing Retainer Screws	Locking Nut	Gear Case Cover Fasteners	
			HHCS	SHSB
015-UTS	24 in-lb / 2 ft-lb (3 N·m)	75 ft-lb (102 N·m)	88 in-lb (10 N·m)	110 in-lb (12 N·m)
030-UTS	84 in-lb / 7 ft-lb (9 N·m)	100 ft-lb (136 N·m)	110 in-lb (12 N·m)	132 in-lb (15 N·m)
130-UTS	180 in-lb / 15 ft-lb (20 N·m)	140 ft-lb (190 N·m)	132 in-lb (15 N·m)	176 in-lb (20 N·m)
220-UTS	300 in-lb / 25 ft-lb (34 N·m)	230 ft-lb (312 N·m)		

Torque Values - Locking Assembly				
Pump Model	Screw Hex Size	Qty.	Half Torque	Full Torque
015-UTS	5 mm	8	63 in-lb (7 N·m)	126 in-lb (14 N·m)
030-UTS	5 mm	6	79 in-lb (9 N·m)	158 in-lb (18 N·m)
130-UTS, 220-UTS	6 mm	6	189 in-lb (21 N·m)	378 in-lb (43 N·m)

Standard O-Ring Selections, Descriptions and Color Codes for UTS Pumps			
Ethylene Propylene Diene Rubber (EPDM) Compound Color: Black or Purple Color Code: Green FDA Compliant to 21CFR177.2600		Fluorocarbon Rubber (FKM) Compound Color: Rust, Brown or Black Color Code: White FDA Compliant to 21CFR177.2600 3-A Sanitary	
Ethylene Propylene Diene Rubber (Sulfur Free) (EPDM) Compound Color: Black or Purple Color Code: Blue FDA Compliant to 21CFR177.2600		Perfluoroelastomer (FFKM) Compound Color: Black Color Code: None Individually packaged with size and material noted.	

## Troubleshooting

PROBLEM	POSSIBLE CAUSE	SUGGESTED ACTION
<b>No flow, pump screws are not turning</b>	Drive motor not running.	Check resets, fuses, circuit breakers.
	Keys sheared or missing.	Replace.
	Drive belts, power transmission components slipping or broken.	Replace or adjust.
	Pump shaft, keys, or gears sheared.	Inspect: and replace parts as necessary.
	Screws not properly timed	Check clearances between screw flanks. Re-time if necessary.
<b>No flow, pump screws are turning</b>	Screws turn in the wrong direction.	Check motor hookup to reverse motor rotation.
	Relief valve not properly adjusted, or held open by foreign material.	Adjust or clear valve.
	Suction port is blocked, not allowing flow to the pump.	Check all inlet valves, strainers, tank outlet ports.
	Slip too high	Check flow-speed curve and adjust as necessary.
<b>No flow, pump not priming</b>	Valve closed in inlet line.	Open valve.
	Inlet line clogged or restricted.	Clear line, clean filters, etc.
	Air leaks due to bad gaskets or pipe connections.	Replace gaskets; check lines for leakage (can be done by air pressure or by filling with liquid and pressurizing with air).
	Pump speed too slow.	Increase pump speed.
	Pump speed too fast for high-viscosity liquid.	Decrease pump speed.
	Liquid drains or siphons from system during off periods.	Use foot valve or check valves. Filling inlet lines with material before startup may solve startup priming problems due to no material in system.
	“Air” lock caused by fluids which “gas off,” or vaporize, or allow gas to come out of solution during off periods.	Install and use a manual or automatic air bleed from pump or lines near pump.
Worn screws	Increase pump speed, use foot valve or check valve to improve priming. Make sure inlet and discharge are not restricted.  Replace worn screws.	

PROBLEM	POSSIBLE CAUSE	SUGGESTED ACTION
<b>No flow, pump not priming, cont'd</b>	Net inlet pressure available too low.	Check Net Inlet Pressure Available & Net Inlet Pressure Required. Change inlet system as needed.
	On "Vacuum" inlet system: On initial start-up, atmospheric "blow back" prevents pump from developing enough differential pressure to start flow.	Install check valve in discharge line.
	Motor incorrectly sized for the application	Contact SPX FLOW Application Engineering
<b>Insufficient flow</b>	Speed too low or too high to obtain desired flow.	Check flow-speed curve and adjust as necessary.
	Net inlet pressure available too low.	Check Net Inlet Pressure Available & Net Inlet Pressure Required. Change inlet system as needed.
	Air leak due to bad seals, pipe connections, or other equipment.	Replace seals, check inlet fittings.
<b>Insufficient flow—flow being bypassed somewhere</b>	Flow diverted in branch line, open valve, etc.	Check system and controls
	Relief valve not adjusted or jammed.	Clear or adjust valve.
<b>Insufficient flow—high slip</b>	Worn pump.	Increase pump speed (within limits). Replace screws, have pump remanufactured.
	High pressure.	Reduce pressure by adjusting system settings or hardware.
<b>Fluid vaporization ("starved" pump inlet)</b>	Strainers, foot valves, inlet fittings or lines clogged.	Clear lines. If problem continues, inlet system may require changing.
	Inlet line size too small, inlet line too long. Too many fittings or valves. Foot valve, strainers too small.	Increase inlet line size. Reduce length, minimize direction and size changes, reduce number of fittings.
	NIPA - Net Inlet Pressure Available at Pump is too low.	Raise liquid level in source tank to increase Net Inlet Pressure (NIPA).
		Increase Net Inlet Pressure Available at Pump by raising or pressurizing source tank.
		Select larger pump size with lower Net Inlet Pressure Required.
		Select a set of screws with a narrower pitch to lower the Net Inlet Pressure Required (NIPR)

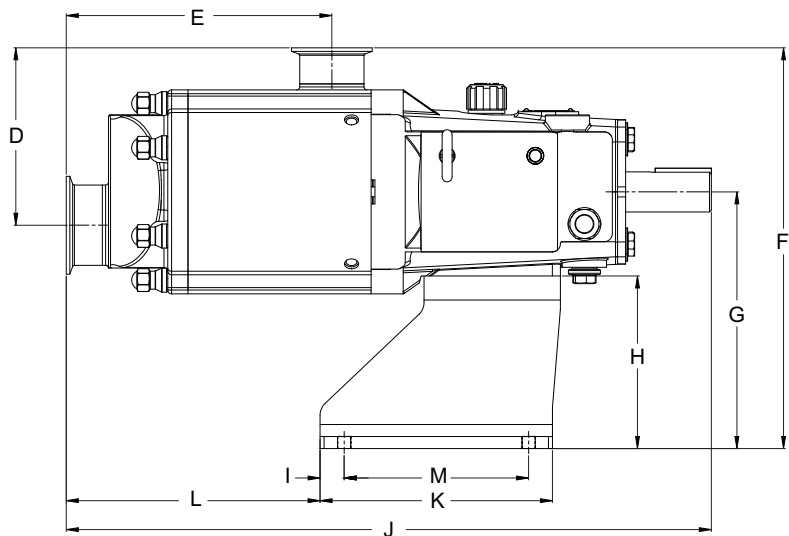
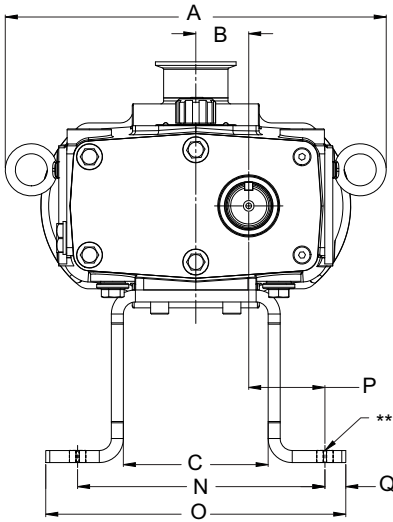
<b>PROBLEM</b>	<b>POSSIBLE CAUSE</b>	<b>SUGGESTED ACTION</b>
<b>Fluid vaporization ("starved" pump inlet), cont'd</b>	Fluid viscosity greater than expected.	Reduce pump speed and accept lower flow, or change system to reduce line losses.  Change temperature of product to reduce viscosity.
	Fluid temperature higher than expected (vapor pressure higher).	Reduce temperature, reduce speed and accept lower flow or change system to increase Net Inlet Pressure Available.
<b>Noisy operation</b>	<b>Cavitation</b>	
	High fluid viscosity. High vapor pressure fluid. High temperature.	Slow down pump, reduce temperature, change system setup.
	Net Inlet Pressure Available less than Net Inlet Pressure Required.	Increase NIPA - Net Inlet Pressure Required or reduce NIPR - Net Inlet Pressure Required. Contact SPX FLOW if necessary.
	<b>Air or gas in fluid</b>	
	Leaks in the pump or piping.  Dissolved gas or naturally aerated products.	Correct leaks.  Minimize discharge pressure (also see "Cavitation," above).
<b>Noisy operation caused by mechanical problems</b>	<b>Screw to body contact</b>	
	Improper assembly of pump.	Check clearances
	Distortion of pump due to improper piping installation.	Change piping installation to eliminate piping stress and distortion on body.
	Pressures required higher than the pump is rated for.	Reduce discharge pressure required.
	Worn bearings.	Rebuild with new bearings and lubricate regularly.
	<b>Screw to Screw Contact</b>	
	Loose or incorrectly-timed gears.	This has caused severe damage to components - rebuild with new parts.
	Sheared keys.	This has caused severe damage to components - rebuild with new parts.
Worn gear splines.	This has caused severe damage to components - rebuild with new parts.	
Drive noise caused by gear trains, chains, couplings, bearings.	Repair or replace drive parts. Check bearings for damage and replace as necessary.	

PROBLEM	POSSIBLE CAUSE	SUGGESTED ACTION
<b>Pump requires excessive power (overheats, stalls, high current draw, breakers trip)</b>	Higher than expected viscosity losses.	If within pump rating, increase drive size.
	Higher than expected pressures.	Reduce pump speed. Increase line sizes.
	Fluid is colder with a higher viscosity than expected.	Heat fluid, insulate lines or heat trace lines.  Increase line sizes.
<b>Pump requires excessive power, cont'd</b>	Fluid sets in line and pump during shutdown.	Insulate lines or heat trace lines.  Install a “soft start” drive.  Install a recirculating bypass system.  Flush system with a nonsetting fluid.
	Fluid builds up on pump surfaces.	Replace the pump with more running clearances.
<b>Short pump service life</b>	Pumping abrasives	Larger pumps at slower speeds.
	Speeds and pressures higher than rated.	Reduce speeds and pressures by making changes in the system.  Replace pump with a larger model with higher pressure ratings.
	Worn bearings and gears due to lack of lubrication.	Check and replace bearing and gears as necessary. Adjust lubrication schedule to decrease time between lubrication.  Modify external wash down method to reduce water entering into gear case.
	Misalignment of drive and piping. (Excessive overhung load or misaligned couplings.)	Check alignment of piping and drive. Adjust as necessary.



# Pump Dimensions

## Universal Twin Screw PD Pump Dimensions



SIZE	A	B	C	D	E	F	G	H	I
015-TS	9.802	1.281	4.310	4.567	6.400	11.842	8.000	5.880	0.750
030-TS	11.874	1.650	4.512	5.530	8.278	12.492	8.000	5.380	0.750
130-TS	16.375	2.250	6.860	6.699	10.520	16.617	11.000	7.500	1.000
220-TS 4"H x 4"V	20.400	3.000	7.446	11.600	15.600	20.280	11.000	6.500	1.000
220-TS 4"H x 6"V	20.400	3.000	7.446	12.600	15.600	21.280	11.000	6.500	1.000
220-TS 6"H x 4"V	20.400	3.000	7.446	10.600	16.000	20.280	11.000	6.500	1.000
220-TS 6"H x 6"V	20.400	3.000	7.446	11.600	16.000	21.280	11.000	6.500	1.000

SIZE	J	K	L	M	N**	O	P**	Q
015-TS	16.666	7.240	4.472	5.750	7.710	9.351	2.375	1.020
030-TS	20.107	7.240	7.911	5.750	7.710	9.351	2.375	0.650
130-TS	25.809	7.854	10.499	5.854	10.380	12.140	2.940	0.880
220-TS 4"H x 4"V	33.800	8.870	15.730	6.874	11.250	13.288	2.643	1.000
220-TS 4"H x 6"V	33.800	8.870	15.730	6.874	11.250	13.288	2.643	1.000
220-TS 6"H x 4"V	34.200	8.870	16.130	6.874	11.250	13.288	2.643	1.000
220-TS 6"H x 6"V	34.200	8.870	16.130	6.874	11.250	13.288	2.643	1.000

**NOTE:** In the table, H=Horizontal port and V=Vertical port.

\*\* The bottom pads have slotted bolt holes. The dimensions shown are to the center of the slots.

## Pump Shaft Guards

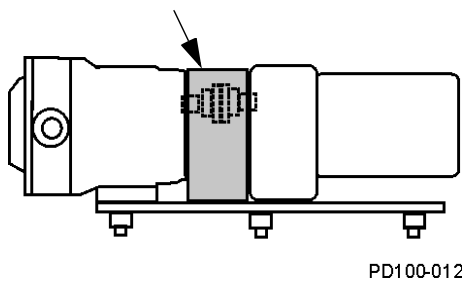
**⚠ WARNING**

Full guards must be installed to isolate operators and maintenance personnel from rotating components.

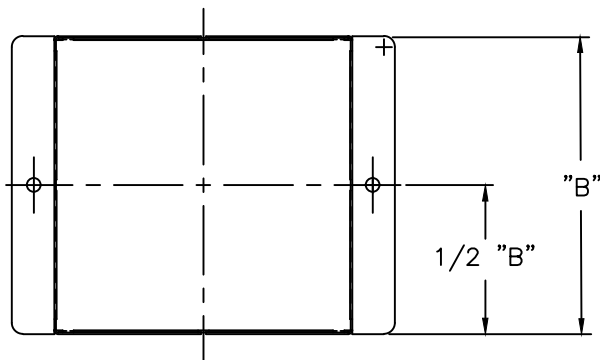
Guards are provided as part of a complete pump and drive package and are selected by SPX FLOW Engineering for the pump, base, and motor ordered. Do not modify the guard provided by SPX FLOW. If the guard provided by SPX FLOW is lost, contact SPX FLOW Customer Service and provide your order number or PO number of the pump to order a correctly-sized replacement guard.

If the pump was not purchased as a unit, it is the responsibility of the customer to ensure proper guarding. Refer to your local regulations for guidance.

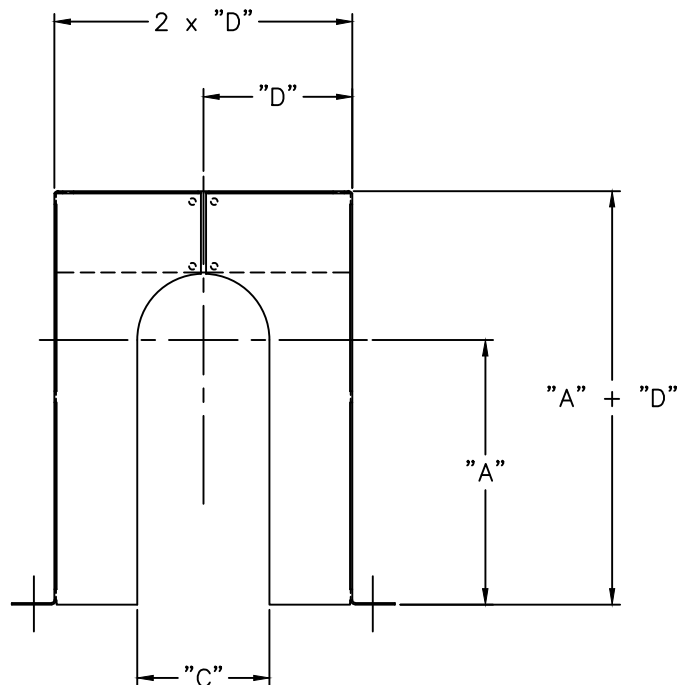
Guard (side view) shown as supplied with an SPX FLOW base package



Top view



Front view



**NOTE:** Dimensions A, B, C, and D depend on the specific pump unit configuration.

## Long Term Storage

Long-term storage (greater than six months) of Waukesha Cherry-Burrell brand pumps:

### Before Storage

1. Lubricate all bearings and seals, including:
  - Rubber O-rings and mechanical seal faces (new pump bearings installed from the factory are already lubricated).
  - Motors and drives (see manufacturer's instructions)
2. Be sure the pump contains no water. Make sure to disassemble the wet end and wipe it dry if necessary.
3. Use rust inhibitor on any exposed metal surfaces:
  - Any unpainted surfaces
  - Shafts, nuts/bolts
4. Cover the inlet/outlet connections of the pumps to keep out foreign materials.
5. Put all related instruction manuals in a separate water-tight envelope or container and store them with the equipment.
6. Completely enclose the equipment to prevent contamination from moisture, dust and other possible contaminants. Certain types of plastic wrap materials, when properly used, make excellent storage enclosures.
7. Rotate the pump and drive shafts several turns every 3 months.

### Storage

1. Store in a dry location. Indoor storage is preferred. If stored outdoors, the equipment must be in a weather-tight enclosure and shielded from direct sunlight.
2. Maintain even temperatures to prevent condensation.

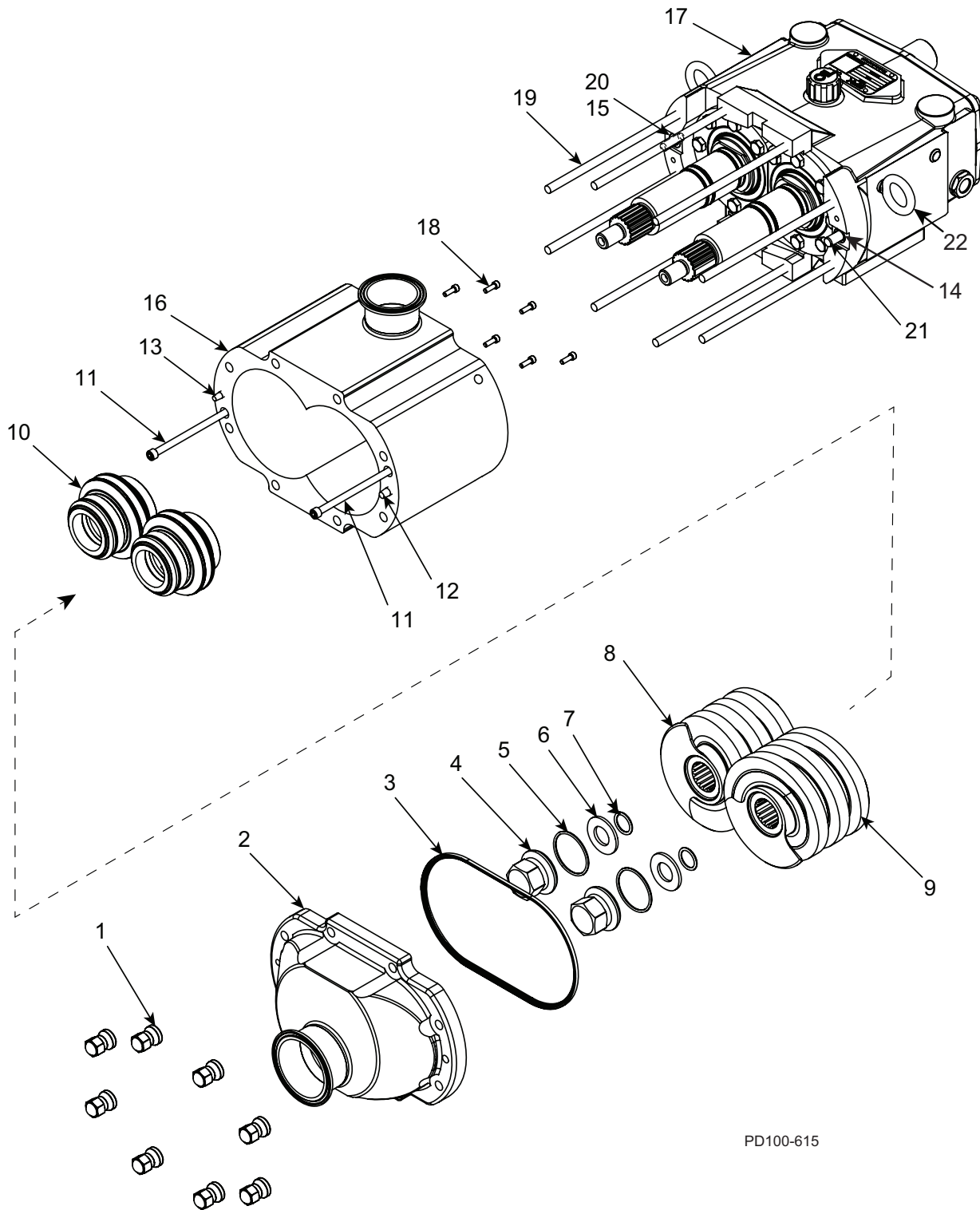
### After Storage

**NOTE:** Do not start the motor if there is any indication of water contamination. Have the motor checked by a qualified electrician before starting.

1. Remove the equipment from the enclosure and repair or replace any damaged items before using equipment.
2. Check the electric motor (if applicable) per the manufacturer's instructions.
3. Pumps:
  - Completely disassemble the product contact liquid end per the instruction manual.
  - Clean and inspect all parts, including seals and O-rings.
  - Replace rubber parts with any sign of age or damage, such as cracks, taking a set, or loss of elasticity.
4. Lubricate the seal and O-rings and reassemble the liquid end per the instruction manual.
5. Lubricate the motor/drive (if applicable) per the manufacturer's instructions.
6. If the pump has been in storage longer than 1 year, change the oil in the pump and drive.

# Parts List

## 015-UTS Parts



PD100-615

## 015-UTS Parts

ITEM NO.	DESCRIPTION	QTY PER PUMP	PART NO.	NOTES
1	Nut, Acorn	8	108369+	
2	Cover	1	POA	
* 3	<b>Gasket, Cover, EPDM</b>	1	137424+	
	<b>Gasket, Cover, FKM</b>		137422+	
	<b>Gasket, Cover, FFKM</b>		137423+	
4	Nut, Screw	2	101804+	
* 5	<b>Screw Nut O-ring EPDM</b>	2	E70126	
	<b>Screw Nut O-ring FKM</b>		V70126	
	<b>Screw Nut O-ring FFKM</b>		K70126	
6	Washer-Belleville	2	101691+	
* 7	<b>Washer Retainer O-ring EPDM</b>	2	E70112	
	<b>Washer Retainer O-ring FKM</b>		V70112	
	<b>Washer Retainer O-ring FFKM</b>		K70112	
8	Left Hand Screw 16.5 Pitch	1	137363+	
	Left Hand Screw 33 Pitch		136792+	
	Left Hand Screw 44 Pitch		137365+	
9	Right Hand Screw 16.5 Pitch	1	137362+	
	Right Hand Screw 33 Pitch		136791+	
	Right Hand Screw 44 Pitch		137364+	
10	Mechanical Seal Assembly	2	POA	1
11	Body Retaining Screw	2	137096+	
12	Cover Short Dowel Pin	1	137002+	
13	Cover Short Dowel Pin	1	137001+	
14	Bushing, Dowel Pin	1	AD0116100	
15	Bushing, Dowel Pin	1	AD0116000	
16	Pump Body	1	POA	
17	Gear Case Assy	1	POA	
18	SHCS 6-32 x .375 18-8 SS	6	119627+	
19	Stud, Standard Cover	8	137068+	
20	Gear Case Dowel	1	124581+	
21	Gear Case Dowel	1	124582+	
22	Eye Bolt 5/16-18 X .50"LG 304	2	30-719	

PL5060-CH139

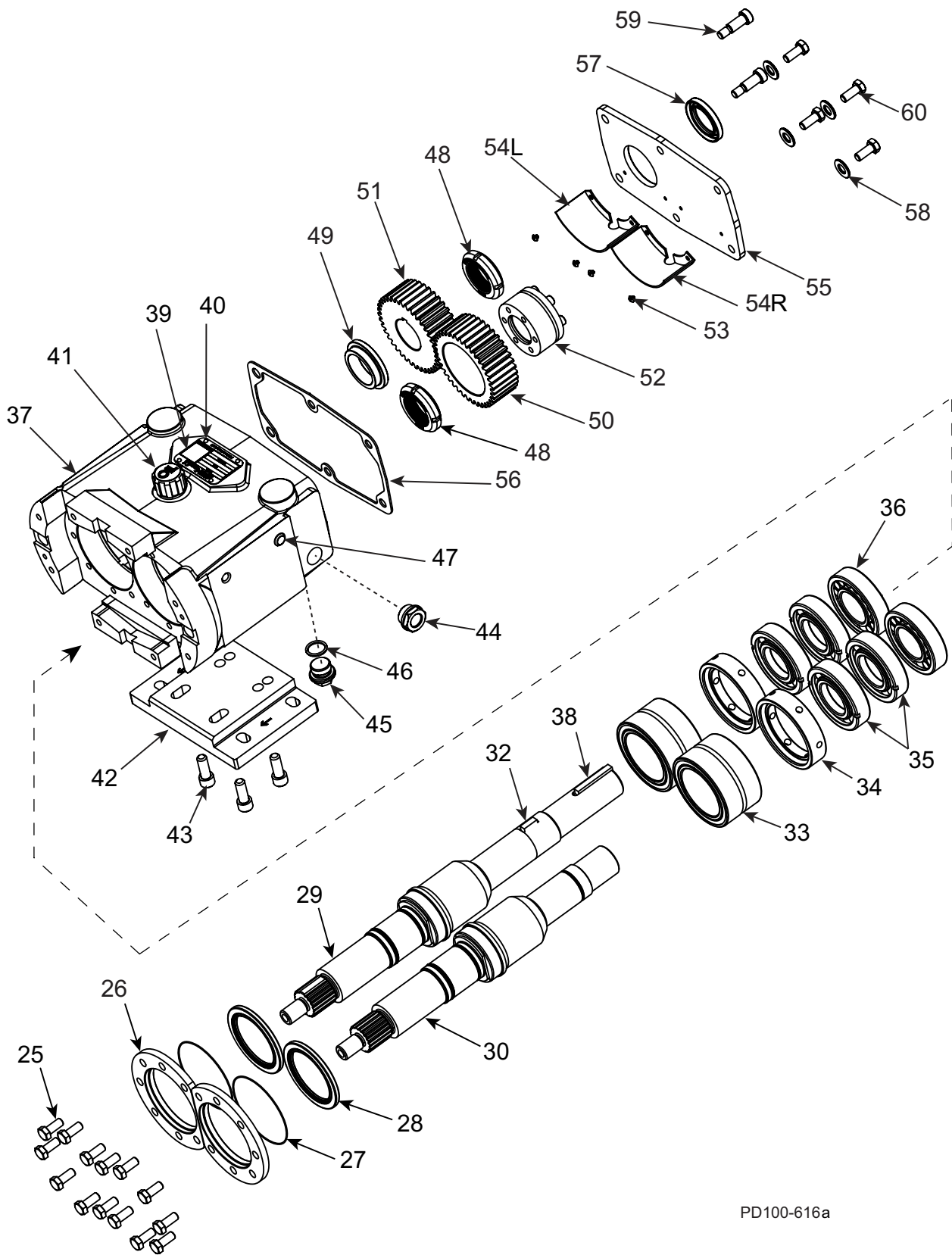
**Notes:**

\* Recommended spare part

1. See "Universal Twin Screw Seal Parts" on page 117.

POA: Contact customer service for part number.

015-UTS Parts, continued



PD100-616a

## 015-UTS Parts, continued

ITEM NO.	DESCRIPTION	QTY PER PUMP	PART NO.	NOTES
25	HHCS 1/4-20 X .75 18-8SS	14	30-58	
26	Bearing Retainer	2	137542+	
27	Bearing Retainer O-Ring	2	138856+	
28	Seal, Bearing	2	121679+	
29	Shaft-Drive 17-4 PH	1	136826+	
30	Shaft-Short 17-4 PH	1	136827+	
32	Gear Key	1	015037000+	
33	Needle Roller Bearing	2	137550+	
34	Spacer, Bearing	2	137546+	
35	Four Point Angular Contact Brg.	4	137554+	
36	Cylindrical Roller Brg.	2	137558+	
37	Gear Case - Stainless Stl.	1	136838+	
38	Key .187 x .187 x 1.125	1	000037001+	
39	Nameplate - QR Code	1	135623+	
40	RHDS #2 x .125	4	30-355	
41	Breather Plug-Oil	1	139779+	
42	Gear Case Shim, SS (Mounting Foot)	1	140083+	2
43	SHCS 5/16-18x1.00 SS	4	30-525	
44	Oil Sight Glass - SS	1	137435+	
45	Plug-Drain/Level M20x1.5	2	137169+	
* 46	<b>O-Ring Buna</b>	2	N70114	
47	Plug 5/16" Plastic	2	000121003+	
48	Locking Nut	2	137566+	
49	Spacer-Gear	1	138978+	
50	Gear, Short Shaft, Spur	1	137672+	
51	Gear, Drive Shaft, Spur	1	107997+	
52	Locking Assembly	1	137663+	
53	BHSC Screw 6-32UNC .188 18-8 SS	4	139887+	
54L	Shroud, Gear, 015UTS-LH	1	139155+	
54R	Shroud, Gear, 015UTS-RH	1	139146+	
55	Cover, Gear Case	1	139135+	
56	Gasket, Gear Case/Cover	1	138519+	
57	Oil Seal, Gear Case Cover	1	000030016+	
58	Washer Plain 3/8 18-8 Narrow	4	43-27	
59	SHSB 5/16" X .75"LG 18-8	2	30-690	
60	HHCS 1/4-20 X .75 18-8SS	4	30-58	

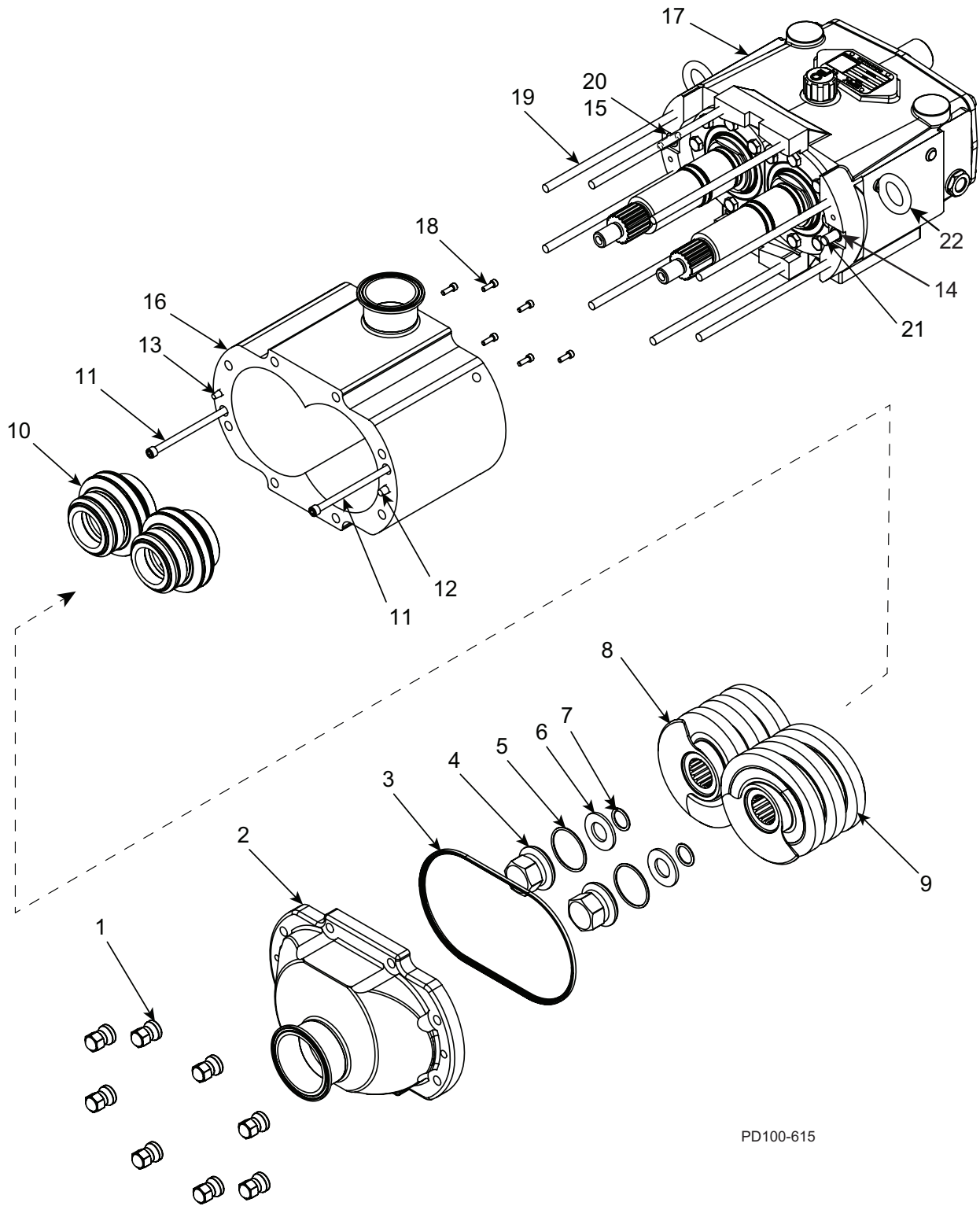
PL5060-CH140

**Notes:**

\* Recommended Spare Parts

2. Pumps shipped prior to February 2018 used the shorter mounting foot, 102284+.

030-UTS Parts



PD100-615



## 030-UTS Parts

ITEM NO.	DESCRIPTION	QTY PER PUMP	PART NO.	NOTES
1	Nut, Acorn	8	108370+	
2	Cover	1	POA	
* 3	<b>Gasket, Cover, EPDM</b>	1	137427+	
	<b>Gasket, Cover, FKM</b>		137425+	
	<b>Gasket, Cover, FFKM</b>		137426+	
4	Nut, Screw	2	101805+	
* 5	<b>Screw Nut O-ring EPDM</b>	2	E70130	
	<b>Screw Nut O-ring FKM</b>		V70130	
	<b>Screw Nut O-ring FFKM</b>		K70130	
6	Washer-Belleville	2	101692+	
* 7	<b>Washer Retainer O-ring EPDM</b>	2	E70115	
	<b>Washer Retainer O-ring FKM</b>		V70115	
	<b>Washer Retainer O-ring FFKM</b>		K70115	
8	Left Hand Screw - 16.8 Pitch	1	137367+	
	Left Hand Screw - 28 Pitch		136795+	
	Left Hand Screw - 42 Pitch		137369+	
9	Right Hand Screw - 16.8 Pitch	1	137366+	
	Right Hand Screw - 28 Pitch		136794+	
	Right Hand Screw - 42 Pitch		137368+	
10	Mechanical Seal Assembly	2	POA	1
11	Body Retaining Screw	2	137097+	
12	Cover Short Dowel Pin	1	137002+	
13	Cover Short Dowel Pin	1	137001+	
14	Bushing, Dowel Pin	1	BD0116100	
15	Bushing, Dowel Pin	1	BD0116000	
16	Pump Body	1	POA	
17	Gear Case Assy	1	POA	
18	SHCS 8-32 x .500" 18-8SS	6	137460+	
19	Stud, Standard Cover	8	137069+	
20	Gear Case Dowel	1	124582+	
21	Gear Case Dowel	1	124583+	
22	Eye Bolt 3/8-16 X .56"LG 304	2	30-720	

PL5060-CH141

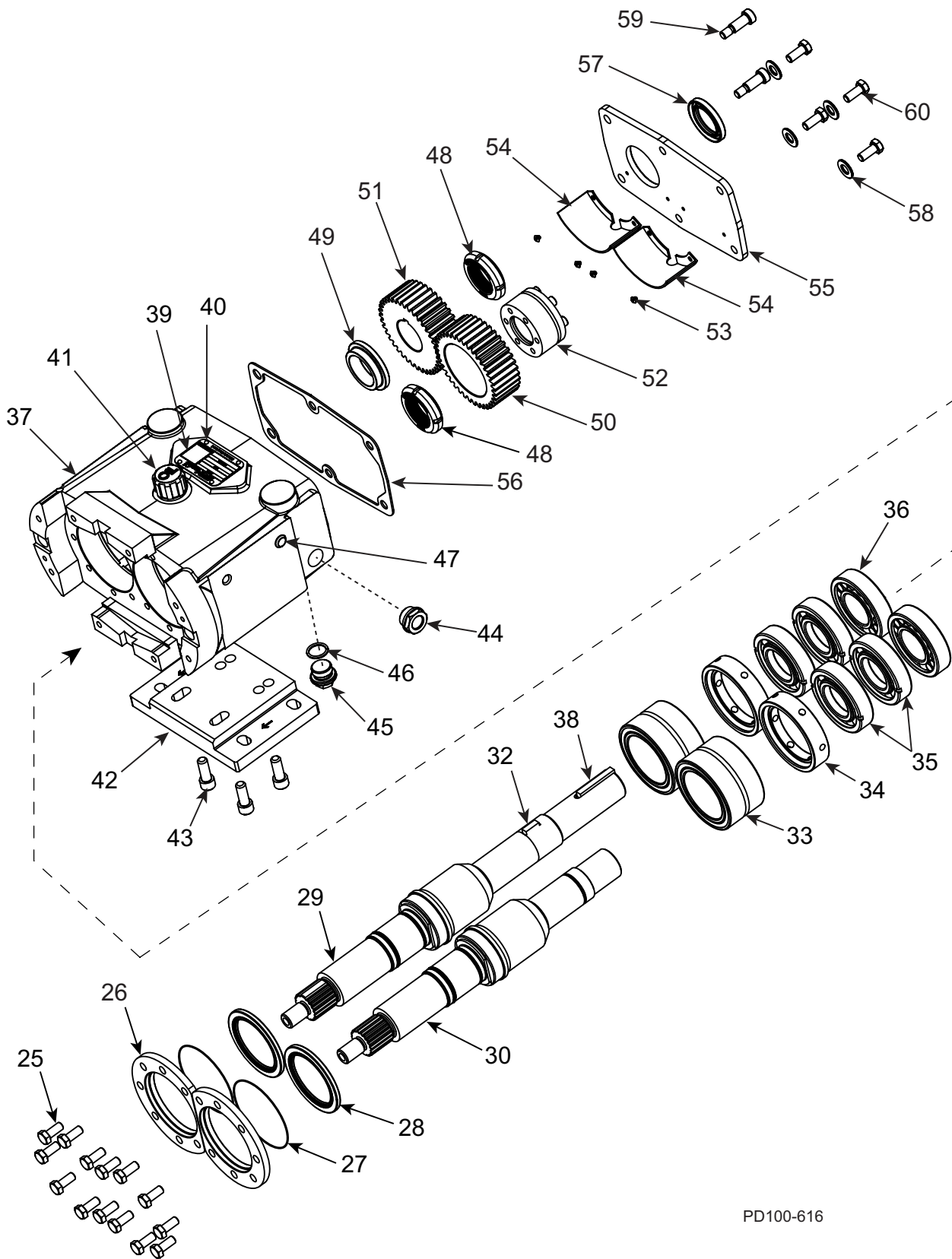
**Notes:**

\* Recommended spare part

1. See "Universal Twin Screw Seal Parts" on page 117.

POA: Contact customer service for part number.

030-UTS Parts, continued



PD100-616

## 030-UTS Parts, continued

ITEM NO.	DESCRIPTION	QTY PER PUMP	PART NO.	NOTES
25	HHCS 5/16-18 X.75" LG 304	14	30-623	
26	Bearing Retainer	2	137543+	
27	Bearing Retainer O-Ring	2	138857+	
28	Seal, Bearing	2	121680+	
29	Shaft-Drive 17-4 PH	1	136828+	
30	Shaft-Short 17-4 PH	1	136829+	
32	Gear Key	1	BD0037000	
33	Needle Roller Bearing	2	137551+	
34	Spacer, Bearing	2	137547+	
35	Four Point Angular Contact Brg.	4	137555+	
36	Cylindrical Roller Brg.	2	137559+	
37	Gear Case - Stainless Stl.	1	136840+	
38	Key, .250 x .250 x 1.750	1	000037002+	
39	Nameplate - QR Code	1	135624+	
40	RHDS #2 x .125	4	30-355	
41	Breather Plug-Oil	1	139779+	
42	Gear Case Shim, SS (Mounting Foot)	1	140084+	2
43	SHCS 3/8-16x1.00 18-8 SS	4	30-189	
44	Oil Sight Glass - SS	1	137435+	
45	Plug-Drain/Level M20x1.5	2	137169+	
* 46	<b>O-Ring Buna</b>	2	N70114	
47	Plug 3/8" Plastic	2	000121002+	
48	Locking Nut	2	137567+	
49	Spacer-Gear	1	138979+	
50	Gear, Short Shaft, Spur	1	108000+	
51	Gear, Drive Shaft, Spur	1	107999+	
52	Locking Assembly	1	108784+	
53	BHSC Screw 6-32UNC .188 18-8 SS	4	139887+	
54	Shroud, Gear	2	139141+	
55	Cover, Gear Case	1	139137+	
56	Gasket, Gear Case/Cover	1	138520+	
57	Oil Seal, Gear Case Cover	1	000030013+	
58	Washer Plain 3/8 18-8 Narrow	4	43-30	
59	SHSB 3/8" X .75" Lg 18-8	2	30-691	
60	HHCS 5/16-18 X.75" LG 304	4	30-623	

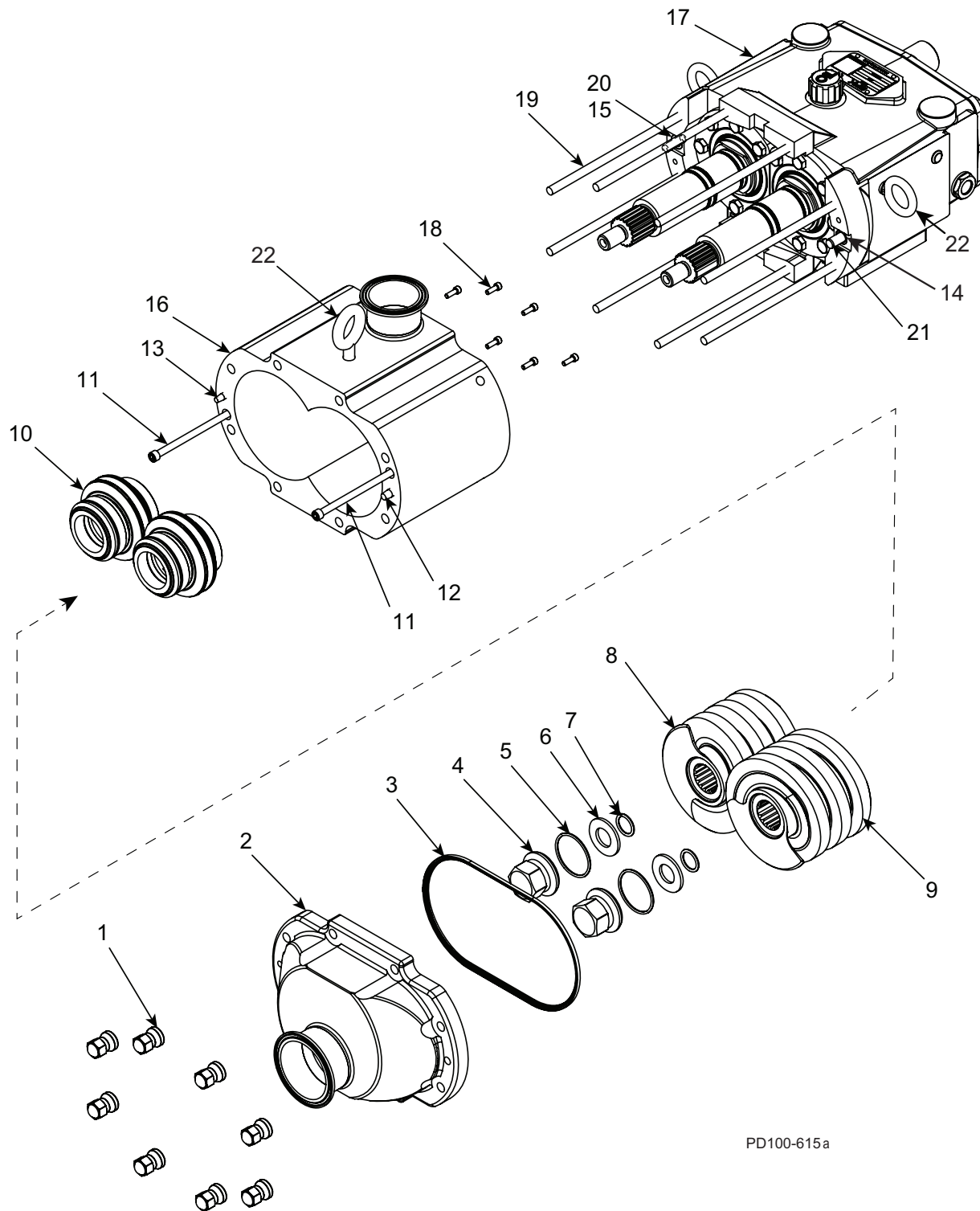
PL5060-CH142

**Notes:**

\* Recommended Spare Parts

2. Pumps shipped prior to February 2018 used the shorter mounting foot, 102285+.

130-UTS Parts



PD100-615a

## 130-UTS Parts

ITEM NO.	DESCRIPTION	QTY PER PUMP	PART NO.	NOTES
1	Nut, Acorn	8	108371+	
2	Cover	1	POA	
* 3	Gasket, Cover, EPDM	1	137430+	
	Gasket, Cover, FKM		137428+	
	Gasket, Cover, FFKM		137429+	
4	Nut, Screw	2	101806+	
* 5	Screw Nut O-ring EPDM	2	E70227	
	Screw Nut O-ring FKM		V70227	
	Screw Nut O-ring FFKM		K70227	
6	Washer-Belleville	2	101693+	
* 7	Washer Retainer O-ring EPDM	2	E70119	
	Washer Retainer O-ring FKM		V70119	
	Washer Retainer O-ring FFKM		K70119	
8	Left Hand Screw - 36.7 Pitch	1	137371+	
	Left Hand Screw - 55 Pitch		136798+	
	Left Hand Screw - 73.4 Pitch		137373+	
9	Right Hand Screw - 36.7 Pitch	1	137370+	
	Right Hand Screw - 55 Pitch		136797+	
	Right Hand Screw - 73.4 Pitch		137372+	
10	Mechanical Seal Assembly	2	POA	1
11	Body Retaining Screw	2	132089+	
12	Cover Short Dowel Pin	1	137003+	
13	Cover Short Dowel Pin	1	137002+	
14	Bushing, Dowel Pin	1	CD0116100	
15	Bushing, Dowel Pin	1	CD0116000	
16	Pump Body	1	POA	
17	Gear Case Assy	1	POA	
18	SHCS 10-32x.50 18-8 SS	6	30-243	
19	Stud, Standard Cover	8	137070+	
20	Gear Case Dowel	1	124584+	
21	Gear Case Dowel	1	124586+	
22	Eye Bolt 1/2-13 X .75"LG 304	3	30-721	

PL5060-CH143

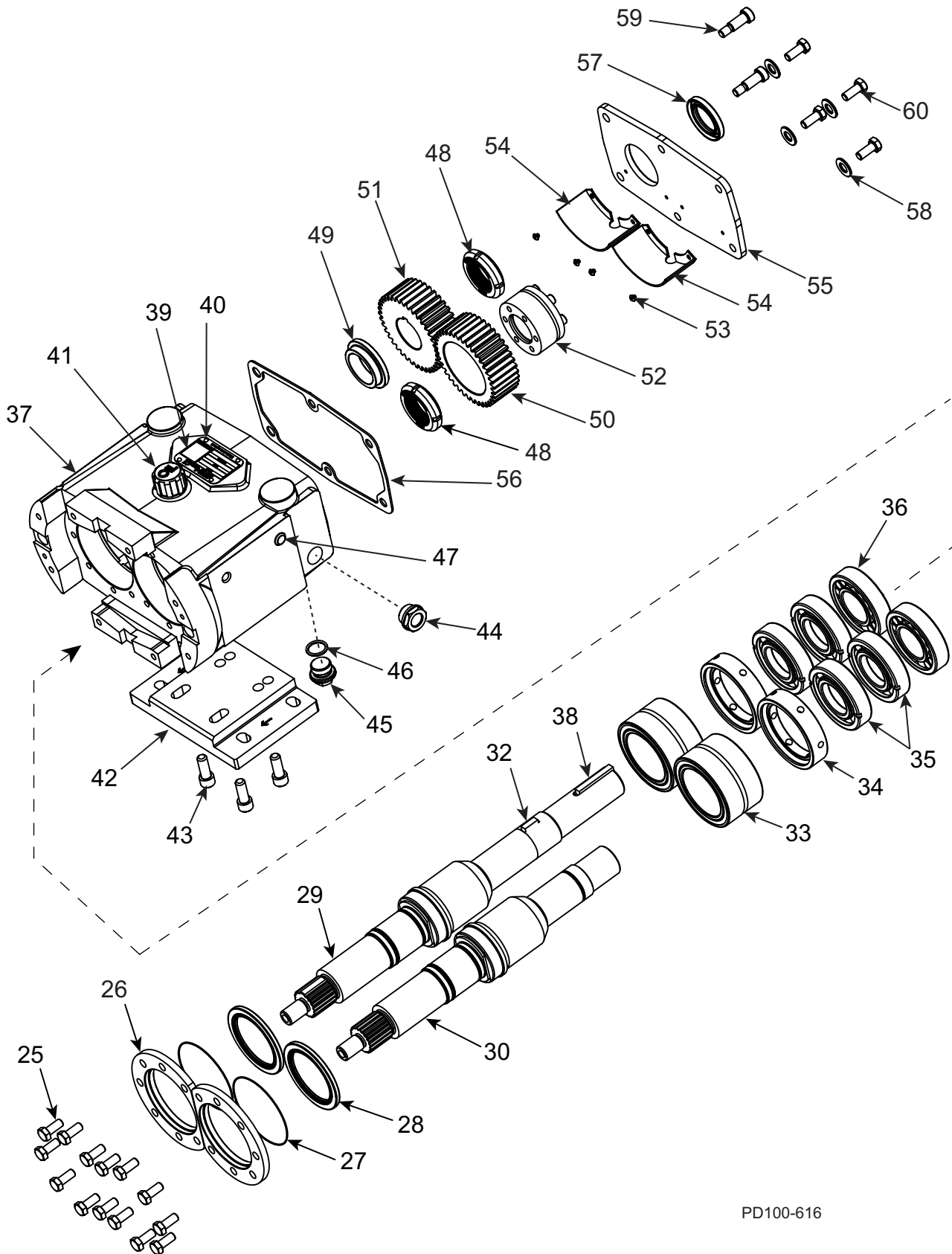
**Notes:**

\* Recommended spare part

1. See "Universal Twin Screw Seal Parts" on page 117.

POA: Contact customer service for part number.

130-UTS Parts, continued



PD100-616

**130-UTS Parts, continued**

ITEM NO.	DESCRIPTION	QTY PER PUMP	PART NO.	NOTES
25	HHCS 3/8-16 X 1.25 18-8 SS	14	30-60	
26	Bearing Retainer	2	137544+	
27	Bearing Retainer O-Ring	2	138858+	
28	Seal, Bearing	2	101829+	
29	Shaft-Drive 17-4 PH	1	136830+	
30	Shaft-Short 17-4 PH	1	136831+	
32	Gear Key	1	060037000+	
33	Needle Roller Bearing	2	137552+	
34	Spacer, Bearing	2	137548+	
35	Four Point Angular Contact Brg.	4	137556+	
36	Cylindrical Roller Brg.	2	137560+	
37	Gear Case - Stainless Stl.	1	136842+	
38	Key .375 x .375 x 1.625	1	000037003+	
39	Nameplate - QR Code	1	135624+	
40	RHDS #2 x .125	4	30-355	
41	Breather Plug-Oil	1	139779+	
42	Gear Case Shim, SS (Mounting Foot)	1	140085+	2
43	SHCS 1/2-13x1.25"LG 18-8	4	30-503	
44	Oil Sight Glass - SS	1	137435+	
45	Plug-Drain/Level M20x1.5	2	137169+	
* 46	<b>O-Ring Buna</b>	2	N70114	
47	Plug 1/2" Plastic	2	000121001+	
48	Locking Nut	2	137568+	
49	Spacer-Gear	1	138980+	
50	Gear, Short Shaft, Spur	1	107405+	
51	Gear, Drive Shaft, Spur	1	138508+	
52	Locking Assembly	1	108785+	
53	BHSC Screw 6-32UNC .188 18-8 SS	4	139887+	
54	Shroud, Gear	2	139147+	
55	Cover, Gear Case	1	139139+	
56	Gasket, Gear Case/Cover	1	138521+	
57	Oil Seal, Gear Case Cover	1	000030012+	
58	Washer Plain 3/8 18-8 Narrow	4	43-30	
59	SHSB 1/2" X 1.0" 18-8	2	30-692	
60	HHCS 3/8-16 x .75" 18-8	4	30-50	

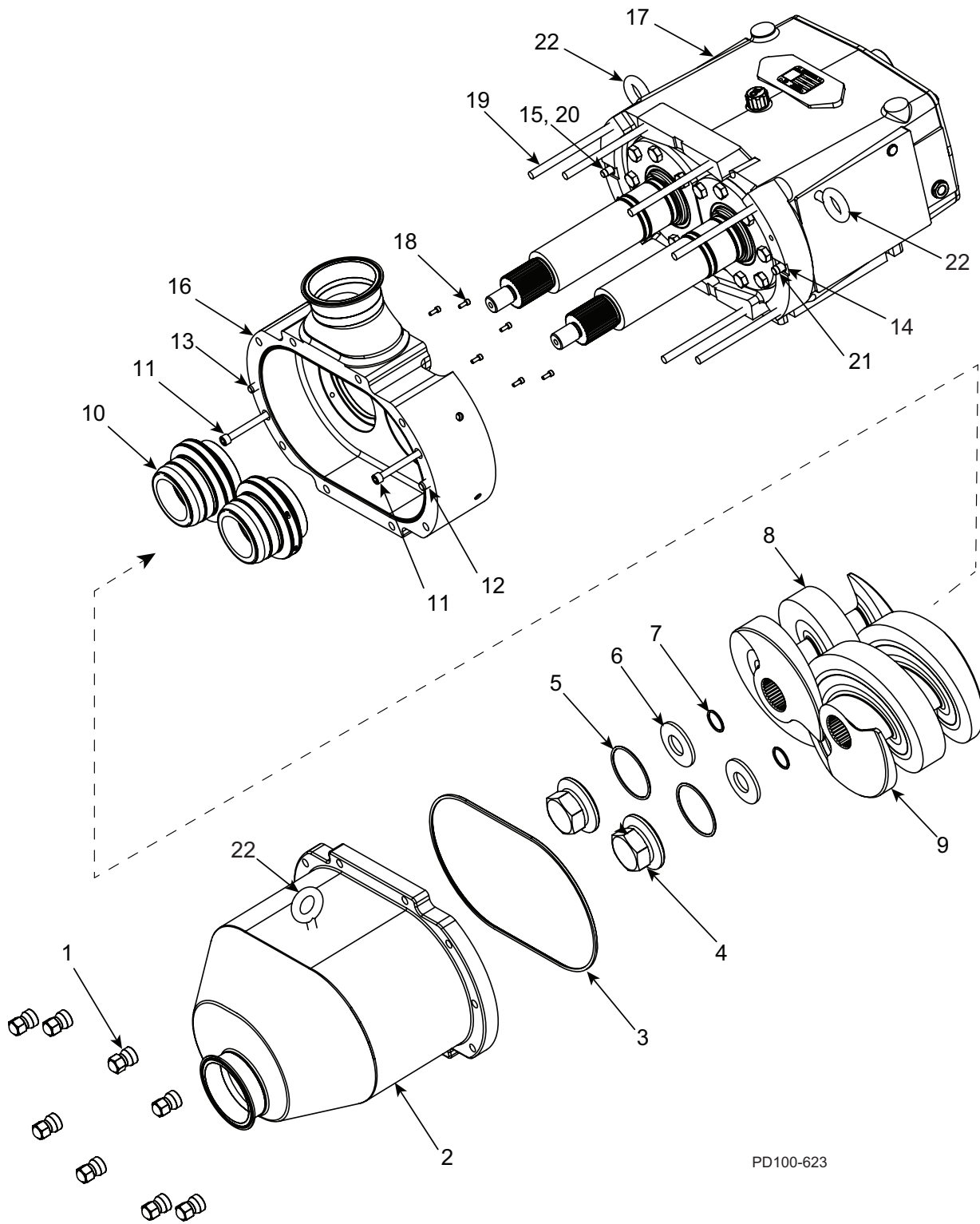
PL5060-CH144

**Notes:**

\* Recommended Spare Parts

2. Pumps shipped prior to February 2018 used the shorter mounting foot, 102286+.

220-UTS Parts



PD100-623



## 220-UTS Parts

ITEM NO.	DESCRIPTION	QTY PER PUMP	PART NO.	NOTES
1	Nut, Acorn	8	108372+	
2	Cover	1	POA	
3	<b>Gasket, Cover, EPDM</b>	1	137433+	2
	<b>Gasket, Cover, FKM</b>		137431+	
	<b>Gasket, Cover, FFKM</b>		137432+	
4	Nut, Screw	2	137608+	
* 5	<b>Screw Nut O-ring EPDM</b>	2	E70235	
	<b>Screw Nut O-ring FKM</b>		V70235	
	<b>Screw Nut O-ring FFKM</b>		K70235	
6	Washer-Belleville	2	101694+	
* 7	<b>Washer Retainer O-ring EPDM</b>	2	E70122	
	<b>Washer Retainer O-ring FKM</b>		V70122	
	<b>Washer Retainer O-ring FFKM</b>		K70122	
8	Left Hand Screw - 45 Pitch	1	137375+	
	Left Hand Screw - 60 Pitch		136801+	
	Left Hand Screw - 90 Pitch		137377+	
9	Right Hand Screw - 45 Pitch	1	137374+	
	Right Hand Screw - 60 Pitch		136800+	
	Right Hand Screw - 90 Pitch		137376+	
10	Mechanical Seal Assembly	2	POA	1
11	Body Retaining Screw	2	137099+	
12	Cover Short Dowel Pin	1	137005+	
13	Cover Short Dowel Pin	1	137004+	
14	Bushing, Dowel Pin	1	CD0116100	
15	Bushing, Dowel Pin	1	CD0116000	
16	Pump Body	1	POA	
17	Gear Case Assy	1	POA	
18	SHCS 10-32x.50 18-8 SS	6	30-243	
19	Stud, Standard Cover	8	108844+	
20	Gear Case Dowel	1	124584+	
21	Gear Case Dowel	1	124586+	
22	Eye Bolt 1/2-13 x .75 304SS	3	30-721	

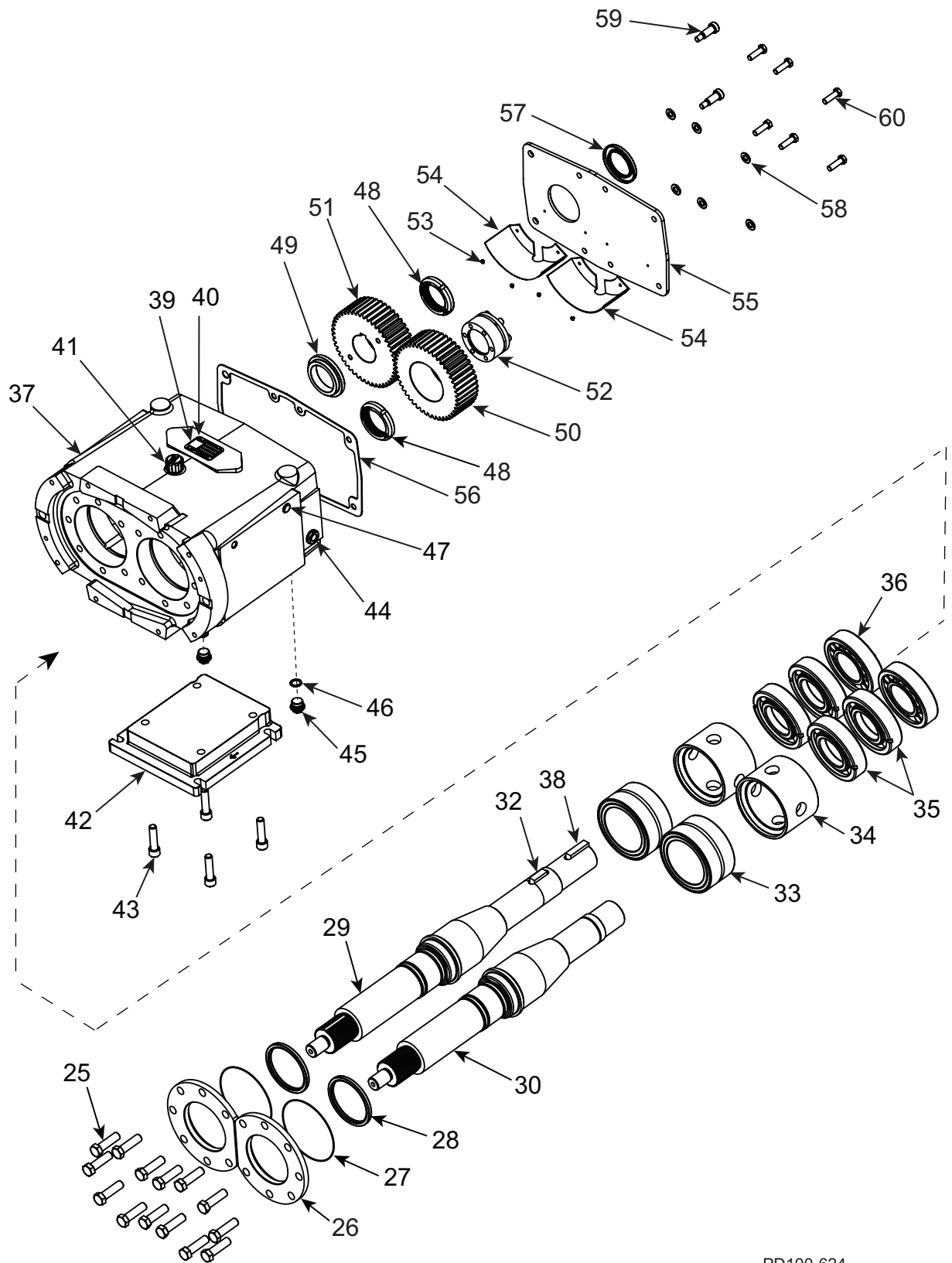
PL5060-CH145

**Notes:**

\* Recommended spare part

1. See "Universal Twin Screw Seal Parts" on page 117.
  2. On the 220-UTS, this gasket is installed in the body, not the cover.
- POA: Contact customer service for part number.

220-UTS Parts, continued



PD100-624

## 220-UTS Parts, continued

ITEM NO.	DESCRIPTION	QTY PER PUMP	PART NO.	NOTES
25	HHCS 9/16-12 X 2.00 18-8 SS	14	30-731	
26	Bearing Retainer	2	137545+	
27	Bearing Retainer O-Ring	2	138859+	
28	Seal, Bearing	2	121681+	
29	Shaft-Drive 17-4 PH	1	136832+	
30	Shaft-Short 17-4 PH	1	136833+	
32	Gear Key	1	200037000+	
33	Needle Roller Bearing	2	137553+	
34	Spacer, Bearing	2	137549+	
35	Four Point Angular Contact Brg.	4	137557+	
36	Cylindrical Roller Brg.	2	137561+	
37	Gear Case - Stainless Stl.	1	136844+	
38	Key .500 x .500 x 1.875	1	000037004+	
39	Nameplate - QR Code	1	135624+	
40	RHDS #2 x .125	4	30-355	
41	Breather Plug-Oil	1	139779+	
42	Gear Case Shim, SS (Mounting Foot)	1	140086+	2
43	SHCS 1/2-13 x 2.0" 18-8	4	30-44	
44	Oil Sight Glass	1	137435+	
45	Plug-Drain/Level M20x1.5	2	137169+	
* 46	<b>O-Ring Buna</b>	2	N70114	
47	Plug 1/2" Plastic	2	000121001+	
48	Locking Nut	2	137569+	
49	Spacer-Gear	1	138981+	
50	Gear, Short Shaft, Spur	1	112105+	
51	Gear, Drive Shaft, Spur	1	110932+	
52	Locking Assembly	1	108786+	
53	BHSC Screw 6-32UNC .188 18-8 SS	4	139887+	
54	Shroud, Gear	2	139148+	
55	Cover, Gear Case	1	139001+	
56	Gasket, Gear Case/Cover	1	138522+	
57	Oil Seal, Gear Case Cover	1	STD030006	
58	Washer Plain 3/8 18-8 Narrow	6	43-30	
59	SHSB 1/2" X 1.0" 18-8	2	30-692	
60	HHCS 3/8-16 X .75 18-8 SS	6	30-50	

PL5060-CH146

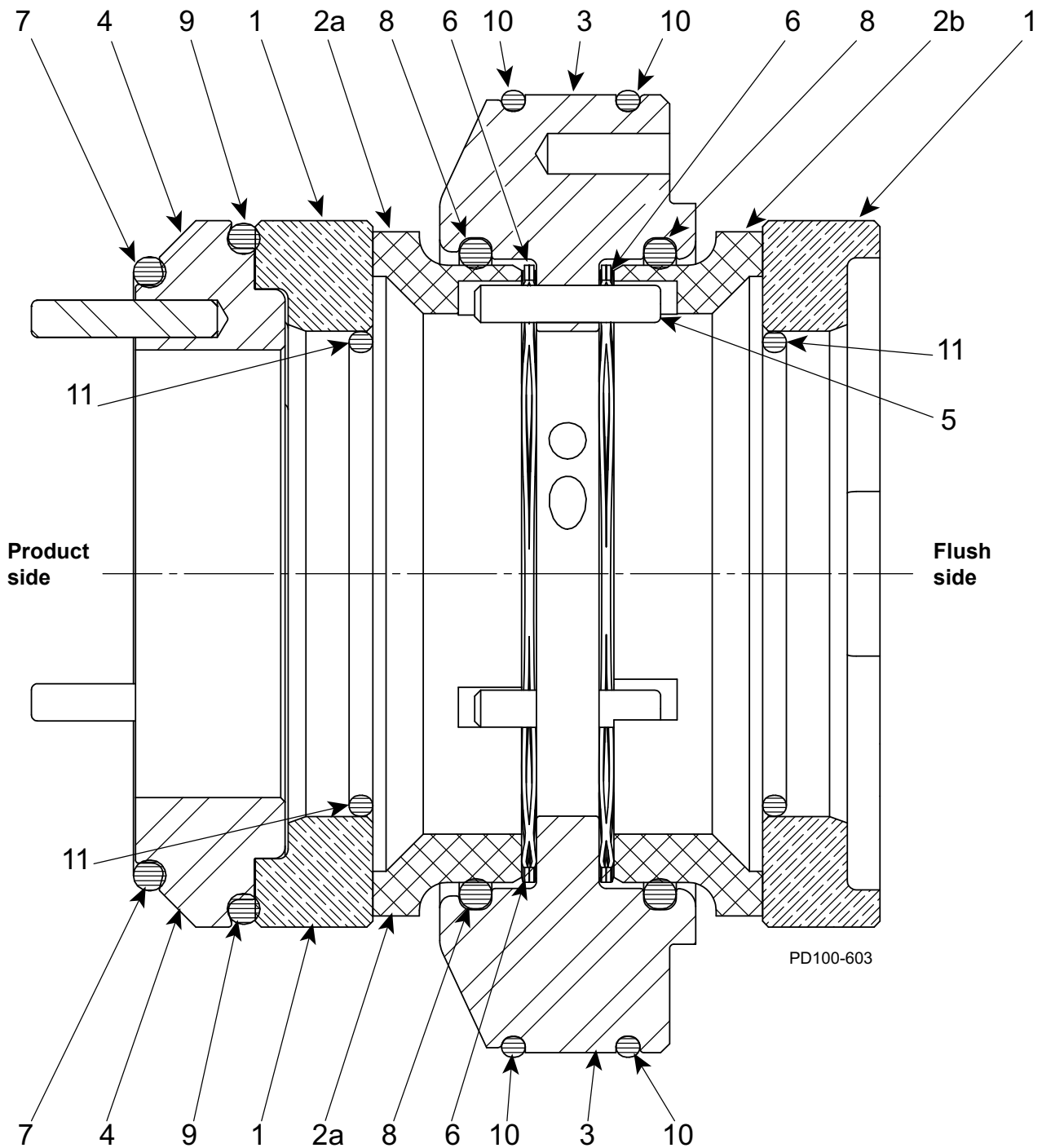
**Notes:**

\* Recommended spare parts

2. Pumps shipped prior to February 2018 used the shorter mounting foot, 102287+.

### Universal Twin Screw Seal Parts

#### Items in a Double Mechanical Seal



#### Items in a Single Mechanical Seal

### Universal Twin Screw Seal Parts

Item No.	Description	Part Number				Qty. Per Pump		
		015-UTS	030-UTS	130-UTS	220-UTS	Double Mech. Seal	Single Mech. Seal	
1	Seat, Seal	SC	137104+	124745+	124747+	137106+	4	2
		TC	137105+	124746+	124748+	137107+		
2a	Seal, Product side	C	137053+	137054+	137055+	137056+	2	2
		SC	137109+	137111+	137113+	137115+		
		TC	137110+	137112+	137114+	137116+		
2b	Seal, Flush side	C	137053+	137054+	137055+	137056+	2	n/a
3	Seal Carrier		137057+	137058+	137059+	137060+	2	2
4	Seal Cap Assembly		141541+	141542+	141543+	141544+	2	2
5	Pin, Stop		137076+	137077+	137078+	137079+	6	6
6	Seal Wave Spring		137015+	137016+	137017+	137018+	4	2
* 7	O-ring - Cap to Screw	EPDM	E70129	E70135	E70147	E70152	2	2
		FKM	V70129	V70135	V70147	V70152		
		FFKM	K70129	K70135	K70147	K70152		
* 8	O-ring - Carrier to Seal	EPDM	E70131	E70137	E70146	E70153	4	2
		FKM	V70131	V70137	V70146-680	V70153		
		FFKM	K70131	K70137	K70146	K70153		
* 9	O-ring - Cap to Seat	EPDM	E70131	E70138	E70147	E70153	2	2
		FKM	V70131	V70138	V70147	V70153		
		FFKM	K70131	K70138	K70147	K70153		
* 10	O-ring - Carrier to Body	EPDM	E70036	E70041	E70154	E70158	4	4
		FKM	V70036	V70041	V70154	V70158		
		FFKM	K70036	K70041	K70154	K70158		
* 11	O-ring - Shaft	EPDM	E70024	E70029	E70133	E70145	4	2
		FKM	V70024	V70029	V70133	V70145		
		FFKM	K70024	K70029	K70133	K70145		

PL5060-CH135

**Note:**

\* Recommended Spare Parts

- Quantities listed are per pump. There are two seal assemblies on each pump.
- The cross-sectional view on page 116 is of a double mechanical seal. Components of a single mechanical seal are called out in the bottom half of that image.

## Universal Twin Screw Seal Kits

015-UTS	PART#
SEAL KIT, 015UTS, SM, C/SC, EPDM	140251+
SEAL KIT, 015UTS, SM, C/SC, FKM	140252+
SEAL KIT, 015UTS, SM, C/SC, FFKM	140253+
SEAL KIT, 015UTS, SM, SC/SC, EPDM	140254+
SEAL KIT, 015UTS, SM, SC/SC, FKM	140255+
SEAL KIT, 015UTS, SM, SC/SC, FFKM	140256+
SEAL KIT, 015UTS, SM, TC/SC, EPDM	140257+
SEAL KIT, 015UTS, SM, TC/SC, FKM	140258+
SEAL KIT, 015UTS, SM, TC/SC, FFKM	140259+
SEAL KIT, 015UTS, SM, TC/TC, EPDM	140260+
SEAL KIT, 015UTS, SM, TC/TC, FKM	140261+
SEAL KIT, 015UTS, SM, TC/TC, FFKM	140262+
SEAL KIT, 015UTS, DM, C/SC-C/SC, EPDM	140263+
SEAL KIT, 015UTS, DM, C/SC-C/SC, FKM	140264+
SEAL KIT, 015UTS, DM, C/SC-C/SC, FFKM	140265+
SEAL KIT, 015UTS, DM, SC/SC-C/SC, EPDM	140266+
SEAL KIT, 015UTS, DM, SC/SC-C/SC, FKM	140267+
SEAL KIT, 015UTS, DM, SC/SC-C/SC, FFKM	140268+
SEAL KIT, 015UTS, DM, TC/SC-C/SC, EPDM	140269+
SEAL KIT, 015UTS, DM, TC/SC-C/SC, FKM	140270+
SEAL KIT, 015UTS, DM, TC/SC-C/SC, FFKM	140271+
SEAL KIT, 015UTS, DM, TC/TC-C/SC, EPDM	140272+
SEAL KIT, 015UTS, DM, TC/TC-C/SC, FKM	140273+
SEAL KIT, 015UTS, DM, TC/TC-C/SC, FFKM	140274+

030-UTS	PART#
SEAL KIT, 030UTS, SM, C/SC, EPDM	140275+
SEAL KIT, 030UTS, SM, C/SC, FKM	140307+
SEAL KIT, 030UTS, SM, C/SC, FFKM	140277+
SEAL KIT, 030UTS, SM, SC/SC, EPDM	140278+
SEAL KIT, 030UTS, SM, SC/SC, FKM	140279+
SEAL KIT, 030UTS, SM, SC/SC, FFKM	140280+
SEAL KIT, 030UTS, SM, TC/SC, EPDM	140281+
SEAL KIT, 030UTS, SM, TC/SC, FKM	140282+
SEAL KIT, 030UTS, SM, TC/SC, FFKM	140283+
SEAL KIT, 030UTS, SM, TC/TC, EPDM	140284+
SEAL KIT, 030UTS, SM, TC/TC, FKM	140285+
SEAL KIT, 030UTS, SM, TC/TC, FFKM	140286+
SEAL KIT, 030UTS, DM, C/SC-C/SC, EPDM	140306+
SEAL KIT, 030UTS, DM, C/SC-C/SC, FKM	140276+
SEAL KIT, 030UTS, DM, C/SC-C/SC, FFKM	140308+
SEAL KIT, 030UTS, DM, SC/SC-C/SC, EPDM	140309+
SEAL KIT, 030UTS, DM, SC/SC-C/SC, FKM	140310+
SEAL KIT, 030UTS, DM, SC/SC-C/SC, FFKM	140311+
SEAL KIT, 030UTS, DM, TC/SC-C/SC, EPDM	140312+
SEAL KIT, 030UTS, DM, TC/SC-C/SC, FKM	140313+
SEAL KIT, 030UTS, DM, TC/SC-C/SC, FFKM	140314+
SEAL KIT, 030UTS, DM, TC/TC-C/SC, EPDM	140315+
SEAL KIT, 030UTS, DM, TC/TC-C/SC, FKM	139695+
SEAL KIT, 030UTS, DM, TC/TC-C/SC, FFKM	140317+

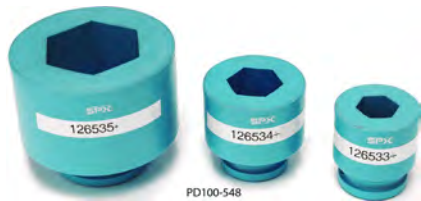
130-UTS	PART#
SEAL KIT, 130UTS, SM, C/SC, EPDM	140318+
SEAL KIT, 130UTS, SM, C/SC, FKM	140319+
SEAL KIT, 130UTS, SM, C/SC, FFKM	140320+
SEAL KIT, 130UTS, SM, SC/SC, EPDM	140321+
SEAL KIT, 130UTS, SM, SC/SC, FKM	140322+
SEAL KIT, 130UTS, SM, SC/SC, FFKM	140323+
SEAL KIT, 130UTS, SM, TC/SC, EPDM	140324+
SEAL KIT, 130UTS, SM, TC/SC, FKM	140325+
SEAL KIT, 130UTS, SM, TC/SC, FFKM	140326+
SEAL KIT, 130UTS, SM, TC/TC, EPDM	140327+
SEAL KIT, 130UTS, SM, TC/TC, FKM	140328+
SEAL KIT, 130UTS, SM, TC/TC, FFKM	140329+
SEAL KIT, 130UTS, DM, C/SC-C/SC, EPDM	140330+
SEAL KIT, 130UTS, DM, C/SC-C/SC, FKM	140331+
SEAL KIT, 130UTS, DM, C/SC-C/SC, FFKM	140332+
SEAL KIT, 130UTS, DM, SC/SC-C/SC, EPDM	140333+
SEAL KIT, 130UTS, DM, SC/SC-C/SC, FKM	140334+
SEAL KIT, 130UTS, DM, SC/SC-C/SC, FFKM	140335+
SEAL KIT, 130UTS, DM, TC/SC-C/SC, EPDM	140336+
SEAL KIT, 130UTS, DM, TC/SC-C/SC, FKM	140337+
SEAL KIT, 130UTS, DM, TC/SC-C/SC, FFKM	140338+
SEAL KIT, 130UTS, DM, TC/TC-C/SC, EPDM	140339+
SEAL KIT, 130UTS, DM, TC/TC-C/SC, FKM	140340+
SEAL KIT, 130UTS, DM, TC/TC-C/SC, FFKM	140341+

220-UTS	PART#
SEAL KIT, 220UTS, SM, C/SC, EPDM	140342+
SEAL KIT, 220UTS, SM, C/SC, FKM	140343+
SEAL KIT, 220UTS, SM, C/SC, FFKM	140344+
SEAL KIT, 220UTS, SM, SC/SC, EPDM	140345+
SEAL KIT, 220UTS, SM, SC/SC, FKM	140346+
SEAL KIT, 220UTS, SM, SC/SC, FFKM	140347+
SEAL KIT, 220UTS, SM, TC/SC, EPDM	140348+
SEAL KIT, 220UTS, SM, TC/SC, FKM	140349+
SEAL KIT, 220UTS, SM, TC/SC, FFKM	140350+
SEAL KIT, 220UTS, SM, TC/TC, EPDM	140351+
SEAL KIT, 220UTS, SM, TC/TC, FKM	140352+
SEAL KIT, 220UTS, SM, TC/TC, FFKM	140353+
SEAL KIT, 220UTS, DM, C/SC-C/SC, EPDM	140354+
SEAL KIT, 220UTS, DM, C/SC-C/SC, FKM	140355+
SEAL KIT, 220UTS, DM, C/SC-C/SC, FFKM	140356+
SEAL KIT, 220UTS, DM, SC/SC-C/SC, EPDM	140357+
SEAL KIT, 220UTS, DM, SC/SC-C/SC, FKM	140358+
SEAL KIT, 220UTS, DM, SC/SC-C/SC, FFKM	140359+
SEAL KIT, 220UTS, DM, TC/SC-C/SC, EPDM	140360+
SEAL KIT, 220UTS, DM, TC/SC-C/SC, FKM	140361+
SEAL KIT, 220UTS, DM, TC/SC-C/SC, FFKM	140362+
SEAL KIT, 220UTS, DM, TC/TC-C/SC, EPDM	140363+
SEAL KIT, 220UTS, DM, TC/TC-C/SC, FKM	140364+
SEAL KIT, 220UTS, DM, TC/TC-C/SC, FFKM	140365+

Seal Kits key: SM: Single Mechanical, DM: Double Mechanical, C: Carbon, SC: Silicon Carbide, TC: Tungsten Carbide  
 Kits include seals for both shafts, SM item nos. 1, 2a, 6, 7, 8, 9, 10, 11; DM item nos. 1, 2a, 2b, 6, 7, 8, 9, 10, 11

### Special Tools

#### Non-Marring Socket Tool for Screw Nuts



PD100-548

Pump Model	Part Number
015-UTS	126533+
030-UTS	126534+
130-UTS	126257+
220-UTS	126535+

PL5060-CH136

#### UTS Shaft Locking Tool



Pump Model	Part Number
015-UTS	139526+
030-UTS	139527+
130-UTS	139528+
220-UTS	139529+

PL5060-CH151

#### O-ring Removal Tool

Description	Part Number
O-ring removal tool	AD0096001

PL5060-CH130

#### Gear Tools

Description	Pump Model	Part Number
Gear Nut Driver	015-UTS	109281+
Gear Nut Driver	030-UTS	109282+
Gear Nut Driver	130-UTS	109283+
Gear Nut Driver	220-UTS	110304+
Gear End Shaft Thread Chaser	015-UTS	109287+
Gear End Shaft Thread Chaser	030-UTS	109288+
Gear End Shaft Thread Chaser	130-UTS	109289+
Gear End Shaft Thread Chaser	220-UTS	110305+

PL5060-CH147

#### Screw Nut Tool



Description	Part Number	Notes
Screw Nut Tool (pictured)	139883+	1
Screw Blocker, 220-UTS	139790+	2

PL5060-CH148

**Notes**

- Does not apply to the 220-UTS.
- The screw blocker for the 220-UTS is pictured in Figure 35 on page 34.

## Universal Twin Screw Maintenance Summary Reference Sheet

Pump Model	Oil Capacity	Oil	Change oil
015-UTS	110 ml	Standard: Synthetic Mobil SHC 629-150, part no. 139215+  Food Grade: Synthetic Mobil SHC Cibus-150, part no. 139684+	250 hours, every 2000 hours thereafter*
030-UTS	216 ml		
130-UTS	525 ml		
220-UTS	1575 ml		

\* Aggressive washdown or extreme running conditions may require more frequent intervals.

For more information, see "Lubrication" on page 28.

Pump Model	Torque Value		Wrench Size	
	Screw Nut	Cover Nut	Screw Nut	Cover Nut
015-UTS	30 ft-lb 41 N·m	7 ft-lb 10 N·m	15/16"	5/8"
030-UTS	55 ft-lb 68 N·m	11 ft-lb 15 N·m	1-1/4"	
130-UTS	120 ft-lb 163 N·m	25 ft-lb 34 N·m	1-5/8"	7/8"
220-UTS	275 ft-lb 373 N·m	55 ft-lb 75 N·m	2-1/4"	

### Torque Values - Gear Case

Pump Model	Bearing Retainer Screws	Locking Nut	Gear Case Cover Fasteners	
			HHCS	SHSB
015-UTS	24 in-lb (2 ft-lb) 3 N·m	75 ft-lb 102 N·m	88 in-lb 10 N·m	110 in-lb 12 N·m
030-UTS	84 in-lb (7 ft-lb) 9 N·m	100 ft-lb 136 N·m	110 in-lb 12 N·m	132 in-lb 15 N·m
130-UTS	180 in-lb (15 ft-lb) 20 N·m	140 ft-lb 190 N·m	132 in-lb 15 N·m	176 in-lb 20 N·m
220-UTS	300 in-lb (25 ft-lb) 34 N·m	230 ft-lb 312 N·m		

### Torque Values - Locking Assembly

Pump Model	Screw Hex Size	Qty.	Half Torque	Full Torque
015-UTS	5 mm	8	63 in-lb 7 N·m	126 in-lb 14 N·m
030-UTS	5 mm	6	79 in-lb 9 N·m	158 in-lb 18 N·m
130-UTS, 220-UTS	6 mm	6	189 in-lb 21 N·m	378 in-lb 43 N·m



## Universal Twin Screw Maintenance Summary Reference Sheet - Copy for optional removal

Pump Model	Oil Capacity	Oil	Change oil
015-UTS	110 ml	Standard: Synthetic Mobil SHC 629-150, part no. 139215+  Food Grade: Synthetic Mobil SHC Cibus-150, part no. 139684+	250 hours, every 2000 hours thereafter*
030-UTS	216 ml		
130-UTS	525 ml		
220-UTS	1575 ml		

\* Aggressive washdown or extreme running conditions may require more frequent intervals.

For more information, see "Lubrication" on page 28.

Pump Model	Torque Values		Wrench Size	
	Screw Nut	Cover Nut	Screw Nut	Cover Nut
015-UTS	30 ft-lb 41 N·m	7 ft-lb 10 N·m	15/16"	5/8"
030-UTS	55 ft-lb 68 N·m	11 ft-lb 15 N·m	1-1/4"	
130-UTS	120 ft-lb 163 N·m	25 ft-lb 34 N·m	1-5/8"	7/8"
220-UTS	275 ft-lb 373 N·m	55 ft-lb 75 N·m	2-1/4"	

Torque Values - Gear Case				
Pump Model	Bearing Retainer Screws	Locking Nut	Gear Case Cover Fasteners	
			HHCS	SHSB
015-UTS	24 in-lb (2 ft-lb) 3 N·m	75 ft-lb 102 N·m	88 in-lb 10 N·m	110 in-lb 12 N·m
030-UTS	84 in-lb (7 ft-lb) 9 N·m	100 ft-lb 136 N·m	110 in-lb 12 N·m	132 in-lb 15 N·m
130-UTS	180 in-lb (15 ft-lb) 20 N·m	140 ft-lb 190 N·m	132 in-lb 15 N·m	176 in-lb 20 N·m
220-UTS	300 in-lb (25 ft-lb) 34 N·m	230 ft-lb 312 N·m		

Torque Values - Locking Assembly				
Pump Model	Screw Hex Size	Qty.	Half Torque	Full Torque
015-UTS	5 mm	8	63 in-lb 7 N·m	126 in-lb 14 N·m
030-UTS	5 mm	6	79 in-lb 9 N·m	158 in-lb 18 N·m
130-UTS, 220-UTS	6 mm	6	189 in-lb 21 N·m	378 in-lb 43 N·m

---

## Notes





# Universal TS Series

ROTARY POSITIVE DISPLACEMENT  
TWIN SCREW PUMP

# SPX<sup>®</sup>FLOW

**SPX FLOW, Inc.**

611 Sugar Creek Road

Delavan, WI 53115

P: (262) 728-1900 or (800) 252-5200

F: (262) 728-4904 or (800) 252-5012

E: [wcb@spxflow.com](mailto:wcb@spxflow.com)

SPX FLOW, Inc. reserves the right to incorporate our latest design and material changes without notice or obligation.

Design features, materials of construction and dimensional data, as described in this bulletin, are provided for your information only and should not be relied upon unless confirmed in writing.

Please contact your local sales representative for product availability in your region. For more information visit [www.spxflow.com](http://www.spxflow.com).

The green ">" is a trademark of SPX FLOW, Inc.

ISSUED: 08/2019 - Original Manual

COPYRIGHT © 2019 SPX FLOW, Inc.