

# Anhydro MicraSpray 35

## Clinical Drug Processor

The Anhydro MicraSpray 35, is designed especially for pharmaceutical drug discovery and investigational work, as well as GLP and CGMP clinical medicine production to support NDA studies and post approval production.

The modular concept makes it possible to start with a basic plant onto which a number of high quality standardized modules can be added.

The MicraSpray 35 performs fully transferable results and may be applied to any processing sector where consistent operation and clean product are desired, and has received particular interest in the dairy sector as well as food additives, flavors, plant extracts, hi-tech ceramics and fine chemicals.

The Anhydro MicraSpray 35 enables the design of particles with specified characteristics in a controlled environment, making it ideal for small scale conversion of liquids into powders.

The spray drying principle offers a clear path forward with predictable scalability enabling straightforward transfer from the laboratory to manufacturing.



### cGMP Design for Clinical Production

- Fast processing
- Aqueous and non-aqueous formulations - fully closed circuit option
- Molecule stabilization
- Amorphous compound isolation
- Solid dispersions
- Processing of heat labile materials
- Inhalation delivery
- Morphology control
- Micro encapsulation
- Controlled release
- Taste masking

### May Replace the Following Unit Operations

- Lyophilization
- Centrifuging
- Crystallization
- Filtering
- Extraction
- Milling
- Classification

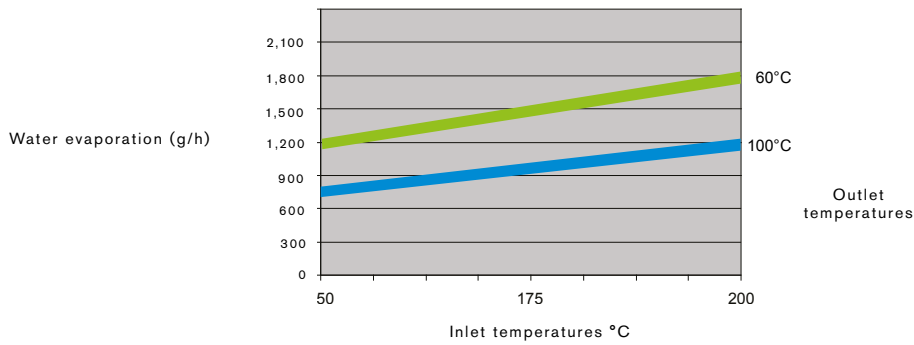
### Special Executions Available

- Pyrogen free processing
- Aseptic processing
- Potent compounds
- Live biologics

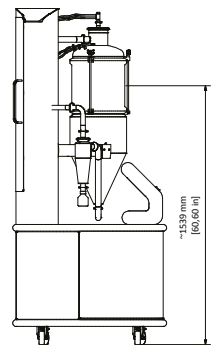
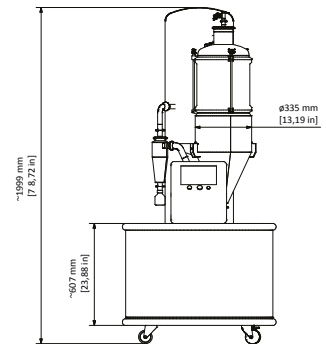
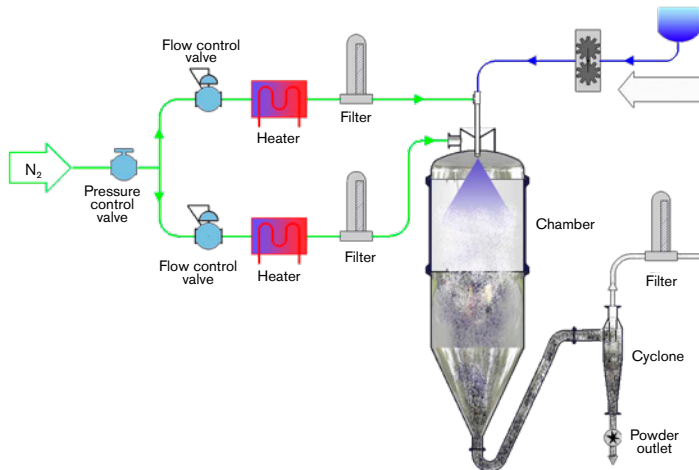
**ANHYDRO MICRASPRAY 35**

MAX. INLET AIR TEMPERATURE	200°C	AUTOMIZATION GAS RATE	0-7 kg/h
OUTLET GAS TEMPERATURE	30-120°C	NOMINAL PRESSURE RATING	<1 bar
MAX. WATER EVAPORATION (OUTLET TEMP. 60°C)	1.5 kg/h	PRODUCT CONTACTING PARTS	AISI 316
MAX. DRYING GAS RATE	35 kg/h	NON-PRODUCT CONTACTING PARTS	AISI 304
DRYING CHAMBER DIAMETER	300 mm	FEED RATE	0.3 to 3 kg
SUPPLY VOLTAGE	208-400 VAC	FLOOR SPACE	0.62 m <sup>2</sup>
POWER REQUIREMENT	5 kw	HEIGHT	1999 mm
CONSUMPTION OF COMPRESSED AIR OR NITROGEN AT 6 BAR	19 SCFM	WEIGHT, NET	200 kg
CONSUMPTION OF COMPRESSED AIR OR NITROGEN AT 6 BAR	32 Nm <sup>3</sup> /h	SHIPPING VOLUME	4 m <sup>3</sup>

The MicraSpray 35 complies with regulations and standards according to European and American clinical regulations and regulations and standards according to CE, ATEX and cGMP. Validation documentation is provided. The electrical equipment complies with UL, NFPA with Class 1 Div. II ex rating. Other standards provided on request.



**Process flow**



Based in Charlotte, North Carolina, SPX FLOW, Inc. (NYSE: FLOW) is a multi-industry manufacturing leader. For more information, please visit [www.spxflow.com](http://www.spxflow.com)

**SPXFLOW**

SPX FLOW Technology Danmark Oestmarken 7, DK-2860 Soeborg, Denmark

P: +4570278 222 E: [ft.dk.soeborg@spxflow.com](mailto:ft.dk.soeborg@spxflow.com)

SPX FLOW, Inc. reserves the right to incorporate our latest design and material changes without notice or obligation.

Design features, materials of construction and dimensional data, as described in this bulletin, are provided for your information only and should not be relied upon unless confirmed in writing. Please contact your local sales representative for product availability in your region. For more information visit [www.spxflow.com](http://www.spxflow.com).

The green "S" and "X" are trademarks of SPX FLOW, Inc.

ISSUED 03/2019 ANH-101-GB COPYRIGHT © 2019 SPX FLOW, Inc.