

TORQUE WRENCHES

HIGH PERFORMANCE, BEST IN CLASS WRENCHES

Page
**MEASUREMENT/
SPECIFICATIONS... 11**
Torque Wrench Selection Guide

Page
**TORQUE WRENCH
OVERVIEW...12-13**



Page
TWHC... 14-15
High Cycle Torque Wrench



Page
TWSD...18-19
Square Drive Torque Wrench



Page
TWHC...16-17
Reaction Arms



Page
TWSD...20-21
Reactions Arms



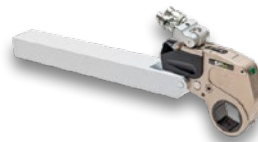
Page
**ADAPTERS &
SOCKETS...22-23**



Page
TWLC...24-25
Drive Bodies



Page
TWLC...30
Reactions Arms



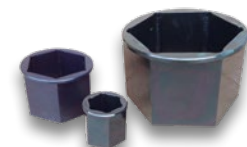
Page
TWL...26-29
Low Clearance Links



Page
TWLC...31
Custom Accessories



Page
TWR...28-29
Low Clearance Reducers



Page
TWSL...32-33
SlimLine

MEASUREMENTS/ SPECIFICATIONS

Torque Wrench Selection Guide



Specifications and Dimensional Data

Bolt Stud Size		Standard Hex Nut Size		Heavy Hex Nut Size		Break Out Tool			Make Up Tool		
in	mm	in	mm	in	mm	TWHC	TWSD	TWLC	TWHC	TWSD	TWLC
3/4	19	1-1/8	26	1-1/4	32	TWHC1	TWSD1	TWLC2	TWHC1	TWSD1	TWLC2
7/8	22	1-5/16	33	1-7/16	36	TWHC1	TWSD1	TWLC2	TWHC1	TWSD1	TWLC2
1	25	1-1/2	38	1-5/8	41	TWHC1	TWSD1	TWLC2	TWHC1	TWSD1	TWLC2
1-1/8	26	1-11/16	43	1-13/16	25	TWHC1	TWSD1	TWLC2	TWHC1	TWSD1	TWLC2
1-1/4	32	1-7/8	48	2	50	TWHC3	TWSD3*	TWLC4	TWHC1	TWSD1	TWLC2
1-3/8	35	2-1/16	52	2-3/16	55	TWHC6	TWSD6*	TWLC4	TWHC3	TWSD3*	TWLC4
1-1/2	38	2-1/4	57	2-3/8	60	TWHC6	TWSD6*	TWLC4	TWHC3	TWSD3*	TWLC4
1-5/8	41	2-7/16	62	2-9/16	65	TWHC6	TWSD6*	TWLC8	TWHC6	TWSD6*	TWLC4
1-3/4	44	2-5/8	67	2-3/4	70	TWHC6	TWSD6*	TWLC8	TWHC6	TWSD6*	TWLC4
1-7/8	48	2-13/16	71	2-15/16	75	-	TWSD11	TWLC8	TWHC6	TWSD6*	TWLC8
2	50	3	77	3-1/8	80	-	TWSD11	TWLC15	-	TWSD11	TWLC8
2-1/8	54	3-3/16	81	3-5/16	84	-	TWSD11	TWLC15	-	TWSD11	TWLC8
2-1/4	57	3-3/8	85	3-1/2	89	-	TWSD11	TWLC15	-	TWSD11	TWLC8
2-3/8	60	3-9/16	91	3-11/16	94	-	TWSD25	TWLC15	-	TWSD11	TWLC15
2-1/2	63	3-3/4	95	3-7/8	99	-	TWSD25	TWLC30	-	TWSD11	TWLC15
2-3/4	70	4-1/8	105	4-1/4	108	-	TWSD25	TWLC30	-	TWSD25	TWLC15
3	77	4-1/2	114	4 5/8	118	-	TWSD25	TWLC30	-	TWSD25	TWLC30
3-1/4	83	4-7/8	124	5	127	-	TWSD25	TWLC30	-	TWSD25	TWLC30
3-1/2	89	5-1/4	133	5 3/8	136	-	TWSD25	TWLC30	-	TWSD25	TWLC30
3-3/4	95	5-5/8	-	5-3/4	146	-	TWSD25	TWLC30	-	TWSD25	TWLC30
4	102	6	152	6 1/8	155	-	TWSD25	TWLC30	-	TWSD25	TWLC30
4-1/4	108	-	-	6-1/2	159	TWHC50	-	-	TWHC50	-	-
4-1/2	114	-	-	6 7/8	175	TWHC50	-	TWLC30 Upon Request	TWHC50	-	TWLC30 Upon Request
4-3/4	120	-	-	7-1/4	184	TWHC50	-	-	TWHC50	-	-
5	127	-	-	7-5/8	193	TWHC50	-	-	TWHC50	-	-

Additional torque may be required for loosening in certain situations:

- Rust and corrosion: 2 X break out force
- Heat Corrosion: 3 X break out force

Only the smallest tool suitable for each application, under ideal conditions, is shown.

Tools shown are a guideline only. Chart is not a replacement for calculations. Lubrication, corrosion, material type will all effect actual torque requirement.

*TWSD1, TWSD3 and TWSD6 are obsolete and have been replaced by the TWHC Series.

TORQUE WRENCH OVERVIEW

TWLC

Patented rotating slide design adapts to angle against the piston, keeping forces normal in order to reduce wear and tear.

Unique slide and shuttle piston design automatically engages without the need to manually rotate tool.

Multi way swivel allows easier positioning of the hoses on the job site.

Pin is retained to the link body and will not fall out or get lost on the job site.

Improved hardened steel reaction pad to protect the tool during torquing and modified radius to fit tighter applications.

Steel body link with corrosion resistant nickel plating. Aluminum power head to reduce the overall weight of the tool.

Fully enclosed components without use of a shroud which can bend and cause safety issues.



TWHC

Multi-direction swivel allows operator to align the hoses in a convenient position, for any job!

Push button feature allows quick and easy release and re-positioning of the reaction arm without any tools.

Adaptable allen drive inserts for special applications, reference page 24.

With just a push of a button, the quick change square drive requires no tools to change from breakout to makeup.



TORQUE WRENCH

HIGH CYCLE - TWHC

Max Torque 71,816 Nm at 700 bar
(53,000 lb-ft at 10,000 psi)



NEW TECHNOLOGY

TORQUE WRENCH - HIGH CYCLE

Quality means Lower Cost of Ownership:

- Designed for high cycle life: 2-3x more than existing technology
- Increased reliability: Simple drive assembly means less downtime
- Corrosion resistant material for use in harsh environments

Enhanced Usability:

- Compact nose radius allows the tool to fit in tighter, hard-to-reach spaces
- Low weight, high strength design
- Fast operation, long stroke and optimum flow
- Multi-direction high flow swivel manifold
- Push button square drive reversal and reaction arm positioning
- Push-button release of square drive & reaction arm for all models except TWHC50.

Designed with Safety in Mind:

- Fully enclosed drive mechanism for operator safety
- Swivel manifold internal relief valve prevents retract side over-pressurization
- Fine tooth pawl prevents tool 'lock-on'

TWHC CONVERSION CHART, SEE PAGE 122

TW HANDLE

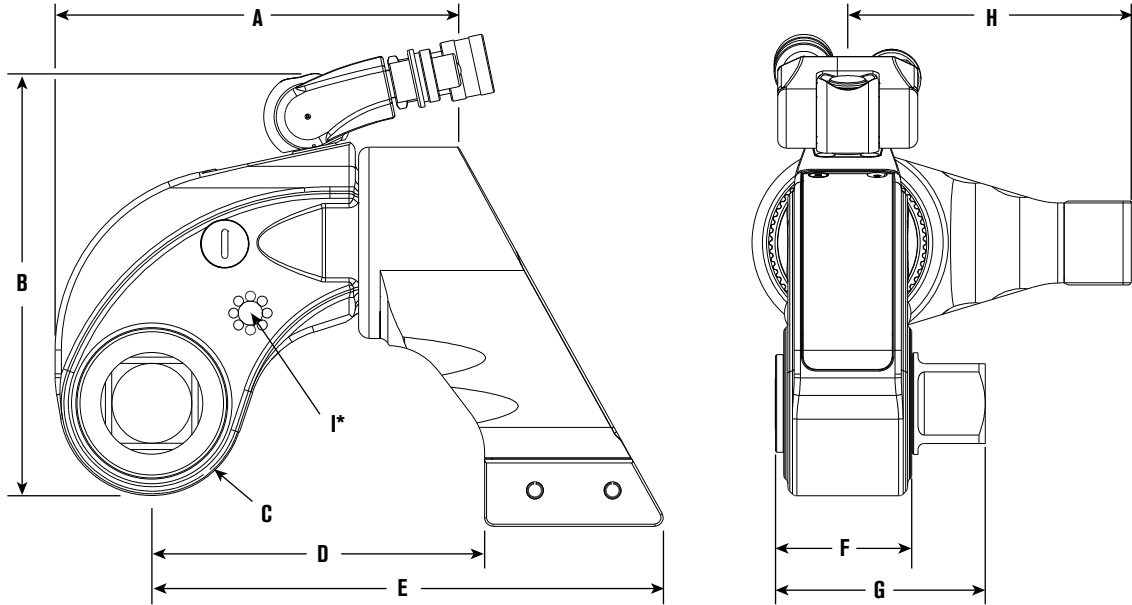


- Robust steel construction with ribbed polymer grip
- Multi-position on tool for balanced handling
- Cap-screw locking with positive 'docking'
- Is suitable for all wrench models (TWHC, TWSD, TWLC), however for larger sizes (TWSD25/TWLC 30/TWHC50) we recommend the use of eye-bolt lifting.

Order No.	Description	Tool Ref
DFTAS000001	Wrench Handle Size 1	TWSD1
		TWSD3
		TWHC1
		TWHC3
		TWLC2
DFTAS000002	Wrench Handle Size 2	TWSD6
		TWSD11
		TWHC6
		TWLC4
		TWLC8
		TWLC15

Specifications and Dimensional Data

TWHC



* Dimension I shows thread size (on both sides of the tool) for safety handle or lifting point. TWHC50 model available with lifting points only.

Tool Model	Min Torque		Max Torque		Square Drive	A mm (in)	B mm (in)	C mm (in)	D mm (in)	E mm (in)	F mm (in)	G mm (in)	H mm (in)	I	Weight	
	Nm	lb-ft	Nm	lb-ft											Kg	lb
TWHC1	230	170	1,915	1,413	3/4	132 (5.20)	145 (5.71)	28 (1.10)	111.5 (4.39)	170.0 (6.69)	39.5 (1.56)	67.7 (2.67)	86.1 (3.39)	M6 x 1.0	2.8	6.2
TWHC3	510	376	4,249	3,136	1	165 (6.50)	173.5 (6.83)	36.5 (1.44)	129.6 (5.10)	197.7 (7.78)	53 (2.09)	83.7 (3.30)	105.1 (4.14)	M6 x 1.0	5.3	11.7
TWHC6	984	726	8,198	6,050	1-1/2	192 (7.56)	201.6 (7.94)	44 (1.73)	158.5 (6.24)	243.7 (9.59)	61 (2.40)	99.9 (3.93)	135.1 (5.32)	M8 x 1.25	8.8	19.4
TWHC50	8,628	6,360	71,816	53,000	2-1/2	404.5 (15.93)	356.6 (14.04)	88 (3.46)	266.5 (10.49)	446.6 (17.58)	115 (4.53)	192.2 (7.57)	258 (10.16)	M12 x 1.75	69	152

Ordering Information

Order No.	Description	Order No.	Description	Order No.	Description
TWHC1	Wrench	TWHC1H	Wrench with handle	DFTAS000001	Handle for TWHC1
TWHC3	Wrench	TWHC3H	Wrench with handle	DFTAS000001	Handle for TWHC3
TWHC6	Wrench	TWHC6H	Wrench with handle	DFTAS000002	Handle for TWHC6
TWHC50	Wrench				

TORQUE WRENCH REACTIONS ARMS - TWHC

TWHC EXTENDED REACTION ARM TWHC-ERA



- Long reach version of TWHC standard reaction arm
- 3 standard sizes per model (+25mm/50mm/75mm) (+1 in / 2 in / 3 in), specials upon request
- Replaces standard reaction arm – quick release pin locking
- Steel alloy construction
- 360° rotation
- Available for full range of tool sizes

OK FOR SUBSEA



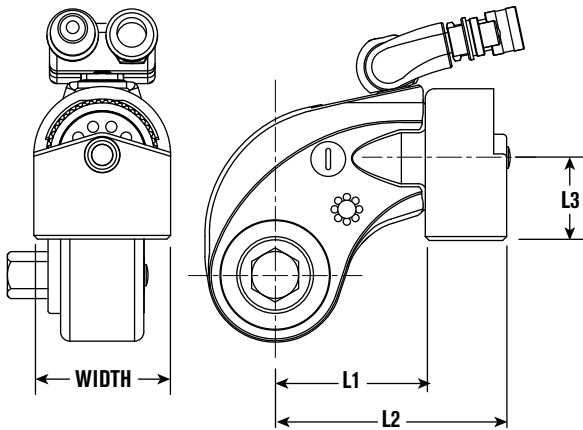
		Specifications and Dimensional Data									
Tool Ref	Order No.	L1		L2		L3		L4		Weight	
		mm	in	mm	in	mm	in	mm	in	kg	lb
TWHC1	TWHC1-ERA1	137	5.39	111	4.37	60	2.36	30	1.18	2	4.4
	TWHC1-ERA2	162	6.38	136	5.35					2.3	5.1
	TWHC1-ERA3	187	7.36	161	6.34					2.6	5.7
TWHC3	TWHC3-ERA1	155	6.10	130	5.12	70	2.76	35	1.38	3	6.6
	TWHC3-ERA2	180	7.09	155	6.10					3.5	7.7
	TWHC3-ERA3	205	8.07	180	7.09					3.9	8.6
TWHC6	TWHC6-ERA1	184	7.24	161	6.34	95	3.74	40	1.57	5	11
	TWHC6-ERA2	209	8.23	186	7.32					5.6	12.4
	TWHC6-ERA3	234	9.21	211	8.31					6.2	13.7



HANDLES SOLD SEPARATELY

The tool's designed long-stroke mechanism imparts a minimum 30 degree nut rotation per stroke while maintaining a tight and compact nose radius: this is a clear advantage over the short stroke and back-up pawl mechanisms of light alloy competitive models. Fewer parts and reduced torsion in operation - equals reduced wear, maintenance and associated costs.

Specifications and Dimensional Data



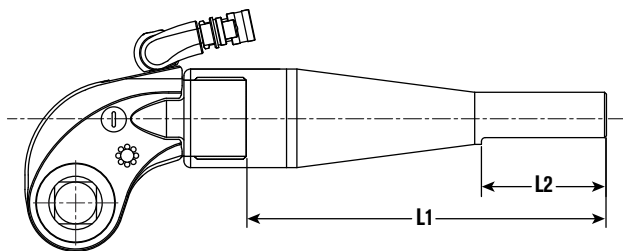
Tool Ref	Order No.	L1		L2		L3		Width		Weight	
		mm	in	mm	in	mm	in	mm	in	kg	lb
TWHC1	TWHC1-RP	72	2.835	116	4.567	49	1.93	64	2.52	1	2.2
TWHC3	TWHC3-RP	86	3.39	138	5.43	55	2.17	76	2.99	1.5	3.3
TWHC6	TWHC6-RP	99	3.90	162	6.38	62	2.44	89	3.50	2.3	5.1

TWHC REACTION PAD TWHC-RP



- Wrench In-Line Reaction Pad for TWHC wrench: used as simple pad or modified platform for specific application (Machine-able/Weld-able platform)
- Replaces standard reaction arm – quick release pin locking
- Steel alloy construction
- 360 degree rotation
- Available for full range of tool sizes

Specifications and Dimensional Data



Tool Ref	Order No.	L1		L2		Weight	
		mm	in	mm	in	kg	lb
TWHC1	TWHC1-LRA	501	19.72	152	6	4.5	9.9
TWHC3	TWHC3-LRA					6	13.2
TWHC6	TWHC6-LRA					8.1	17.9

TWHC LONG REACTION ARM TWHC-LRA



- Tubular extension arm for TWHC wrench: in-line reaction outside wrench profile
- Replaces standard reaction arm – quick release pin locking
- Steel/light alloy construction (reaction flat machined on tube end)
- Can be cut down to suit specific length
- Available for full range of tool sizes

TORQUE WRENCH

SQUARE DRIVE - TWSD

Max Torque 33,198 Nm at 700 bar
(24,500 lb-ft at 10,000 psi)



360° Reaction Arm

OK FOR SUBSEA



SQUARE DRIVE TORQUE WRENCH

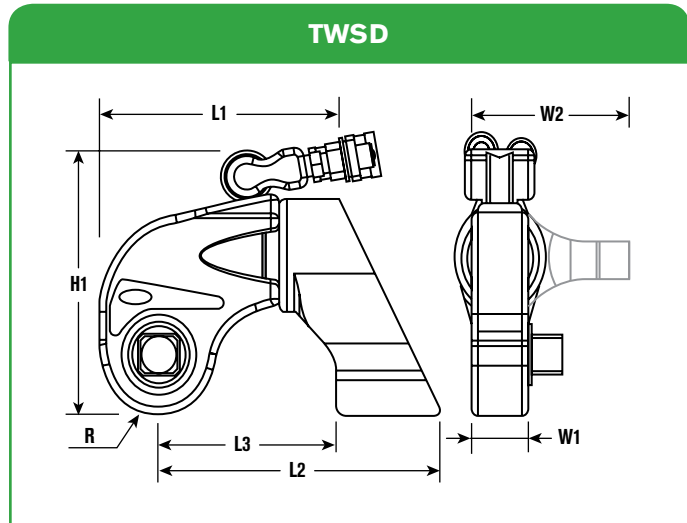
- Low weight, high strength design
- Superior torsional strength
- Fast operation cycle
- Fine tooth ratchet
- Floating piston design
- Swivel manifold internal relief valve prevents retract side over-pressurization
- Rigid steel body construction
- Compact frame size
- Reaction and drive accessories available

**TWSD CONVERSION CHART,
SEE PAGE 120**



Specifications and Dimensional Data

- Push button reversal of square drive
- Corrosion resistant finish
- 360° reaction arm
- Push to lock reaction arms
- Multi-axis high flow swivel manifold
- Simple design
- Consistently accurate torque output
- Fully enclosed drive mechanism



Tool Model	L1		L2		L3		H1		R		W1		W2	
	mm	in	mm	in	mm	in	mm	in	mm	in	mm	in	mm	in
TWSD11	234	9.2	292	11.5	178	7.0	241	9.5	56	2.2	61	2.4	165	6.5
TWSD25	305	12	376	14.8	231	9.1	315	12.4	71	2.8	76	3.0	200	7.9

Tool Model	Square Drive in	Min Torque		Max. Torque		Tool Weight	
		Nm	lb-ft	Nm	lb-ft	kg	lb
TWSD11	1-1/2	1,780	1,313	14,823	10,940	13.1	28.9
TWSD25	2-1/2	3,984	2,940	33,198	24,500	29.5	65.0

Ordering Information

Order No.	Description	Order No.	Description
TWSD11	WRENCH - 14,823 Nm , 10,940 lb-ft	DFTAS000002	WRENCH HANDLE Size 2
TWSD25	WRENCH - 33,198 Nm , 24,500 lb-ft		Tool Ref. TWSD11

Standard Reaction Arm included for all models

TORQUE WRENCH

REACTION ARMS - TWSD

TWSD EXTENDED REACTION ARM TWSD-ERA



- Long reach version of TWSD standard reaction arm
- 3 standard sizes per model (+25mm/50mm/75mm) (+1 in / 2 in / 3 in), specials upon request
- Replaces standard reaction arm – quick release pin locking
- Steel alloy construction
- 360° rotation
- Available for full range of tool sizes

Specifications and Dimensional Data											
Tool Ref	Order No.	L1		L2		L3		L4		Weight	
		mm	in	mm	in	mm	in	mm	in	kg	lb
TWSD11	TWSD11-ERA1	204	8.03	190	7.48					8	17.6
	TWSD11-ERA2	229	9.02	215	8.46	110	4.33	40	1.57	8.5	18.7
	TWSD11-ERA3	254	10	240	9.45					9.5	20.9
TWSD25	TWSD25-ERA1	256	10.08	225	8.86	145				18	39.7
	TWSD25-ERA2	281	11.06	250	9.84		5.71	50	1.97	20	44.1
	TWSD25-ERA3	306	12.05	275	10.83	147				21	46.3

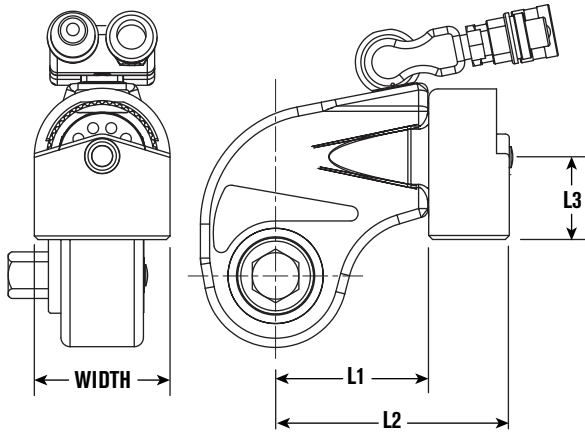


Torque Wrench Handle



SEE PAGE 14

Specifications and Dimensional Data



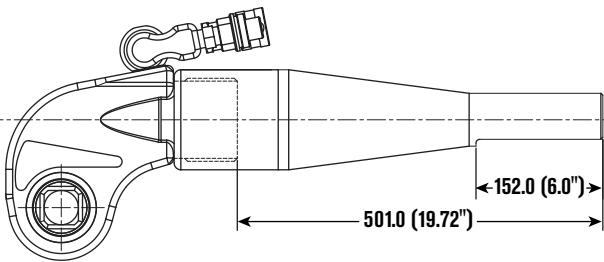
Tool Ref	Order No.	L1		L2		L3		Width		Weight	
		mm	in	mm	in	mm	in	mm	in	kg	lb
TWSD11	TWSD11-RP	109,5	4.311	184,5	7.264	65,5	2.579	105	4.133	4	8.8
TWSD25	TWSD25-RP	136,5	5.374	243,5	9.587	88,5	3.484	143	5.630	10	22

TWSD REACTION PAD TWSD-RP



- Wrench In-Line Reaction Pad for TWSD wrench: used as simple pad or modified platform for specific application (Machine-able/Weld-able platform)
- Replaces standard reaction arm – quick release pin locking
- Steel alloy construction
- 360 degree rotation
- Available for full range of tool sizes

Specifications and Dimensional Data



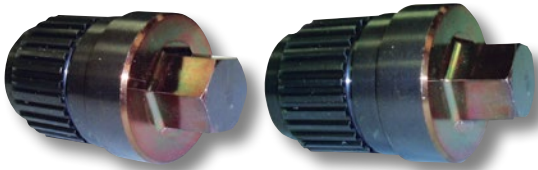
Tool Ref	Order No.	L1		L2		Weight	
		mm	in	mm	in	kg	lb
TWSD11	TWSD11-LRA	501	19.72	152	6	11	24.3
TWSD25	TWSD25-LRA					22	48.5

TWSD LONG REACTION ARM TWSD-LRA



- Tubular extension arm for TWSD wrench: in-line reaction outside wrench profile
- Replaces standard reaction arm – quick release pin locking
- Steel/light alloy construction (reaction flat machined on tube end)
- Can be cut down to suit specific length
- Available for full range of tool sizes

SQUARE DRIVE ADAPTERS & SOCKETS



Customs sizes are available upon request

Male Hex Drive

Wrench Size	Hexagon Drive Size A/F (inch)	Order No.		Hexagon Drive Size A/F (mm)	Order No.	
		TWSD	TWHC		TWSD	TWHC
1 (TWHC1)	5/8		TWHCHD01-063	17mm		TWHCHD01-017
	3/4		TWHCHD01-075	19mm		TWHCHD01-019
	7/8		TWHCHD01-088	22mm		TWHCHD01-022
	1		TWHCHD01-100	24mm		TWHCHD01-024
				27mm		TWHCHD01-027
3 (TWHC3)	5/8		TWHCHD03-063	17mm		TWHCHD03-017
	3/4		TWHCHD03-075	19mm		TWHCHD03-019
	7/8		TWHCHD03-088	22mm		TWHCHD03-022
	1		TWHCHD03-100	24mm		TWHCHD03-024
	1-1/8		TWHCHD03-113	27mm		TWHCHD03-027
	1-1/4		TWHCHD03-125	30mm		TWHCHD03-030
	1-3/8		TWHCHD03-138	32mm		TWHCHD03-032
	1-1/2		TWHCHD03-150	36mm		TWHCHD03-036
1-5/8		TWHCHD03-163	41mm		TWHCHD03-041	
6 (TWHC6)	5/8		TWHCHD06-063	17mm		TWHCHD06-017
	3/4		TWHCHD06-075	19mm		TWHCHD06-019
	7/8		TWHCHD06-088	22mm		TWHCHD06-022
	1		TWHCHD06-100	24mm		TWHCHD06-024
	1-1/8		TWHCHD06-113	27mm		TWHCHD06-027
	1-1/4		TWHCHD06-125	30mm		TWHCHD06-030
	1-3/8		TWHCHD06-138	32mm		TWHCHD06-032
	1-1/2		TWHCHD06-150	36mm		TWHCHD06-036
1-5/8		TWHCHD06-163	41mm		TWHCHD06-041	
11 (TWSD11)	1-1/8	TWD11-113		27mm	TWD11-027	
	1-1/4	TWD11-125		30mm	TWD11-030	
	1-3/8	TWD11-138		32mm	TWD11-032	
	1-1/2	TWD11-150		36mm	TWD11-036	
	1-5/8	TWD11-163		41mm	TWD11-041	
	1-3/4	TWD11-175		46mm	TWD11-046	
25 (TWSD25)	1-1/2	TWD25-150		36mm	TWD25-036	
	1-5/8	TWD25-163		41mm	TWD25-041	
	1-3/4	TWD25-175		46mm	TWD25-046	
	1-7/8	TWD25-188		50mm	TWD25-050	
	2	TWD25-200		55mm	TWD25-055	
	2-1/4	TWD25-225		60mm	TWD25-060	
	2-1/2	TWD25-250		65mm	TWD25-065	
2-3/4	TWD25-275		70mm	TWD25-070		



Impact Sockets - Imperial (for TWHC & TWSD)

Socket Size Imperial	3/4" Drive Order No.	1" Drive Order No.	1-1/2" Drive Order No.	2-1/2" Drive Order No.
7/8"	TWSIA088	TWSIB088	-	-
1-1/16"	TWSIA106	TWSIB106	-	-
1-1/4"	TWSIA125	TWSIB125	-	-
1-3/8"	TWSIA138	TWSIB138	-	-
1-7/16"	TWSIA144	TWSIB144	-	-
1-5/8"	TWSIA163	TWSIB163	TWSC163	-
1-13/16"	TWSIA181	TWSIB181	-	-
2"	TWSIA200	TWSIB200	TWSC200	-
2-3/16"	TWSIA219	TWSIB219	TWSC219	-
2-3/8"	TWSIA238	TWSIB238	TWSC238	-
2-9/16"	-	TWSIB256	TWSC256	-
2-3/4"	-	TWSIB275	TWSC275	-
2-15/16"	-	TWSIB294	TWSC294	-
3-1/8"	-	TWSIB313	TWSC313	TWSIF313
3-3/8"	-	TWSIB338	TWSC338	TWSIF338
3-12"	-	TWSIB350	TWSC350	TWSIF350
3-3/4"	-	TWSIB375	TWSC375	TWSIF375
3-7/8"	-	TWSIB388	-	TWSIF388
4-1/8"	-	TWSIB413	TWSC413	TWSIF413
4-1/4"	-	TWSIB425	TWSC425	TWSIF425
4-5/8"	-	-	TWSC463	TWSIF463
5"	-	-	-	TWSIF500
5-3/8"	-	-	-	TWSIF538
5-3/4"	-	-	-	TWSIF575
6-1/8"	-	-	-	TWSIF613

Impact Sockets - Metric (for TWHC & TWSD)

Socket Size Metric	3/4" Drive Order No.	1" Drive Order No.	1-1/2" Drive Order No.	2-1/2" Drive Order No.
22mm	TWSMA022	TWSMB022	-	-
24mm	TWSMA024	TWSMB024	-	-
32mm	TWSMA032	TWSMB032	-	-
36mm	TWSMA036	TWSMB036	-	-
41mm	TWSMA041	TWSMB041	TWSMC041	-
46mm	TWSMA046	TWSMB046	-	-
50mm	TWSMA050	TWSMB050	-	-
55mm	-	TWSMB055	-	-
60mm	-	TWSMB060	TWSMC060	-
65mm	-	TWSMB065	TWSMC065	-
70mm	-	TWSMB070	TWSMC070	-
75mm	-	-	TWSMC075	-
80mm	-	TWSMB080	TWSMC080	TWSMF080
85mm	-	TWSMB085	TWSMC085	TWSMF085
90mm	-	TWSMB090	TWSMC090	TWSMF090
95mm	-	TWSMB095	TWSMC095	TWSMF095
100mm	-	TWSMB100	-	TWSMF100
110mm	-	TWSMB110	TWSMC110	TWSMF110
115mm	-	-	TWSMC115	TWSMF115
120mm	-	-	TWSMC120	-
135mm	-	-	-	TWSMF135
150mm	-	-	-	TWSMF150

For Long Reach (Extended Length) sockets add "LR" to the end of the part number. For 12 point (bi-hex) sockets, add "BH" to the end of the part number.

TORQUE WRENCH

LOW CLEARANCE - TWLC

Max Torque 39,024 Nm at 700 bar
(28,800 lb-ft at 10,000 psi)



TORQUE WRENCH LOW CLEARANCE

The TWLC Series Wrench was designed for the most inaccessible bolting areas found in the industry. Its long neck, short height and small radius have all added to its great success.



Several link sizes are available for each drive.

Combine a drive body with a link to make a wrench. Each are sold separately.

**TWSD CONVERSION CHART,
SEE PAGE 121**

OK FOR SUBSEA



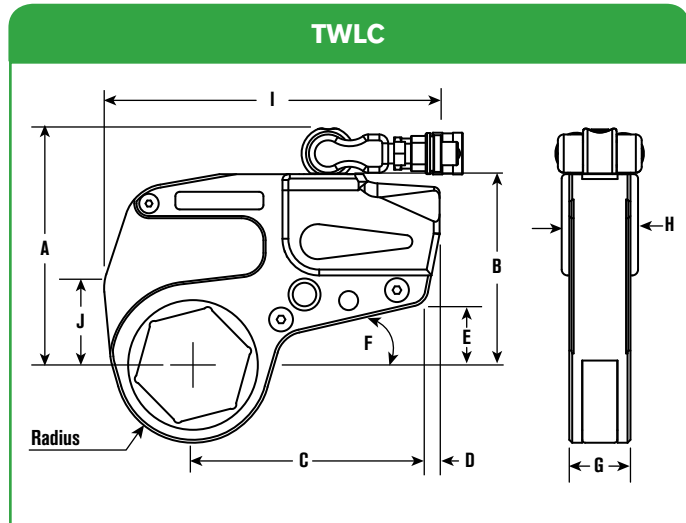
Torque Wrench Handle



SEE PAGE 14

Specifications and Dimensional Data

- Low weight, high strength design
- Superior torsional strength
- Fast operation cycle
- Fine tooth ratchet
- Floating piston design
- Link pin does not fall out
- Auto-connect drive piston
- Compact frame size
- Rigid steel body construction
- Swivel manifold internal relief valve prevents retract side over-pressurization
- “Hardened” steel reaction pad on TWLC8, 15 & 30
- Small nose radius
- Corrosion resistant finish
- Multi-axis high flow swivel manifold
- Simple design
- Consistent torque output



- Quick interchangeable heads, no tools necessary
- Replaceable reaction pad on larger models

Body Order No.	A		B		C		D		E		F	G		H	
	mm	in	mm	in	mm	in	mm	in	mm	in	deg	mm	in	mm	in
TWLC2	136	5.4	103	4.1	128	5	8	0.3	35	1.4	13	32	1.3	42	1.7
TWLC4	163	6.4	130	5.1	159	6.3	9	0.4	43	1.7	13	42	1.7	52	2
TWLC8	195	7.7	158	6.2	177	7	24.5	1	40	1.6	14	54	2.1	67	2.6
TWLC15	223	8.8	186	7.3	200	7.9	27	1.1	43	1.7	14	63	2.5	76	3
TWLC30	276	10.9	239	9.4	267	10.5	26	1	62	2.4	15	82	3.2	94	3.7

Body Order No.	Hex Range				Min Torque		Max Torque		Weight (Body Only)	
	mm	mm	in	in	Nm	lb-ft	Nm	lb-ft	kg	lb
TWLC2	26	60	1	2-3/8	256	189	2,134	1,575	1.0	2.2
TWLC4	33	80	1-5/16	3-1/8	646	477	5,386	3,975	2.0	4.4
TWLC8	49	100	1-7/8	3-15/16	1,293	954	10,772	7,950	3.5	7.7
TWLC15	62	116	2-7/16	4-5/8	2,415	1,782	20,122	14,850	7.0	15.4
TWLC30	80	155	3-1/8	6-1/16	4,683	3,456	39,024	28,800	14.5	31.9

CAUTION: Always read operating manual before using for proper use of tools and accessories.

NOTE: Reference dimensions shown and vary by links size. Exact dimensions can be found on our website.

Ordering Information

TO SPECIFY A TWLC SOLUTION:

1. Find a link for your application (nut size) (page 25-27)
2. Choose the appropriate Drive body (page 23)
3. Add reducers for additional nut sizes (pages 26-29)

Please order Drive Body and Link separately and pay attention to the same size, for Example TWLC2 and TWL2-041.

TORQUE WRENCH

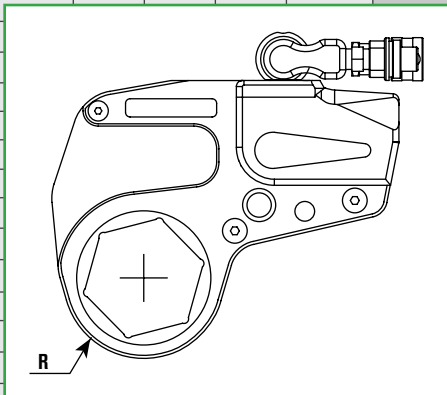
LOW CLEARANCE LINKS - TWLC

Parts Codes, Nose Radius

NOTE:

The sizes listed on these pages encompass both heavy hex and standard hex nut sizes. Check your local SPX FLOW Bolting Office for availability as some items may be special order.

Nut A/F		Link Order No.	TWLC2				Link Order No.	TWLC4				Link Order No.	TWLC8						
Inch	Metric		Radius R	I	J	Weight (Link Only)		Radius R	I	J	Weight (Link Only)		Radius R	I	J	Weight (Link Only)			
			mm (in)	mm (in)	mm (in)	kg (lb)	mm (in)	mm (in)	mm (in)	kg (lb)	mm (in)	mm (in)	mm (in)	kg (lb)					
1	26	TWL2-026																	
1-1/16	27	TWL2-027																	
1-1/8	29	TWL2-029																	
1-3/16	30	TWL2-030	31.5 (1.2)	180 (7.1)	38 (1.5)	2 (4.4)													
1-1/4	32	TWL2-032																	
1-5/16	33	TWL2-033																	
1-3/8	35	TWL2-035																	
1-7/16	36	TWL2-036																	
1-1/2	38	TWL2-150																	
1-9/16	40	TWL2-040	34.5 (1.4)	181 (7.1)	40 (1.6)	2 (4.4)													
1-5/8	41	TWL2-041																	
1-11/16	43	TWL2-043																	
1-3/4	44	TWL2-044	37 (1.5)	183 (7.2)	40 (1.6)	2 (4.4)													
1-13/16	46	TWL2-046																	
1-7/8	48	TWL2-188																	
1-15/16	49	TWL2-049	40 (1.6)	185 (7.3)	43 (1.7)	2 (4.4)													
2	50	TWL2-050																	
2-1/16	52	TWL2-052																	
2-1/8	54	TWL2-054	42.5 (1.7)	185 (7.3)	43 (1.7)	2 (4.4)													
2-3/16	55	TWL2-055																	
2-1/4	57	TWL2-057																	
2-5/16	59	TWL2-059																	
2-3/8	60	TWL2-060	45.5 (1.8)	185 (7.3)	43 (1.7)	2 (4.4)													
2-7/16	62																		
2-1/2	63																		
2-9/16	65																		
2-5/8	67																		
2-11/16	68																		
2-3/4	70																		
2-13/16	71																		
2-7/8	73																		
2-15/16	75																		
3	77																		
3-1/16	78																		
3-1/8	80																		
3-3/16	81																		
3-1/4	83																		
3-5/16	84																		
3-3/8	85																		
3-7/16	87																		
	89																		
3-1/2	90																		
3-9/16	91																		
3-5/8	92																		
3-11/16	94																		
3-3/4	95																		
3-13/16	97																		
	99																		
3-7/8	100																		



MORE SOLUTIONS ON NEXT PAGE

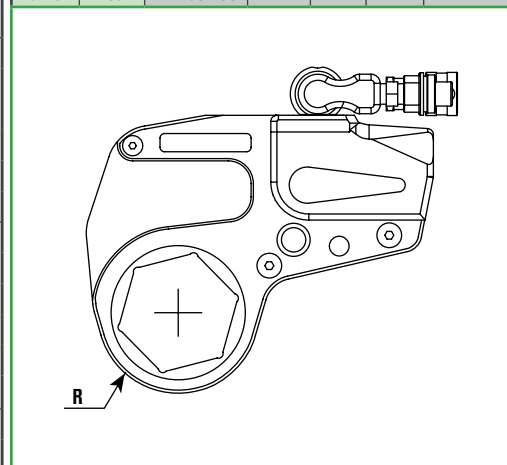
Ordering Information

TO SPECIFY A TWLC SOLUTION:

1. Find a link for your application (nut size) (page 26-27)
2. Choose the appropriate Drive body (page 23)
3. Add reducers for additional nut sizes (pages 28-29)

Please order Drive Body and Link separately and pay attention to the same size, for Example TWLC2 and TWL2-041.

Nut A/F		Link Order No.	TWLC15				TWLC30					Nut A/F		Link Order No.	TWLC30 (Continued)			
Inch	Metric		Radius R mm (in)	I mm (in)	J mm (in)	Weight (Link Only) kg (lb)	Link Order No.	Radius R mm (in)	I mm (in)	J mm (in)	Weight (Link Only) kg (lb)	Inch	Metric		Radius R mm (in)	I mm (in)	J mm (in)	Weight (Link Only) kg (lb)
2-7/16	62	TWL15-062										4-13/16	122	TWL30-122				
2-1/2	63	TWL15-063											123	TWL30-123				
2-9/16	65	TWL15-065	60.5 (2.4)	313 (12.3)	88 (3.5)	12.5 (27.5)						4-7/8	124	TWL30-124	99 (3.9)	400 (15.7)	109 (4.3)	28.5 (62.7)
2-5/8	67	TWL15-067										4-15/16	125	TWL30-125				
2-11/16	68	TWL15-068										5	127	TWL30-500				
2-3/4	70	TWL15-070										5-1/16	129	TWL30-129				
2-13/16	71	TWL15-071										5-1/8	130	TWL30-130				
2-7/8	73	TWL15-073	63 (2.5)	313 (12.3)	88 (3.5)	12.5 (27.5)						5-3/16	132	TWL30-132	105 (4.1)	400 (15.7)	109 (4.3)	28.5 (62.7)
2-15/16	75	TWL15-075										5-1/4	133	TWL30-133				
3	77	TWL15-077										5-3/8	135	TWL30-135				
3-1/16	78	TWL15-313	66.5 (2.6)	313 (12.3)	88 (3.5)	13 (28.6)							137	TWL30-538				
3-1/8	80	TWL15-080					TWL30-080					5-7/16	138	TWL30-138				
3-3/16	81	TWL15-081					TWL30-081					5-1/2	140	TWL30-140				
3-1/4	83	TWL15-083					TWL30-083					5-9/16	141	TWL30-141				
3-5/16	84	TWL15-084					TWL30-084	77 (3.0)	393 (15.5)	104 (4.1)	26.5 (58.3)	5-5/8	143	TWL30-143	110 (4.3)	400 (15.7)	109 (4.3)	28.5 (62.7)
3-3/8	85	TWL15-085	72 (2.8)	313 (12.3)	80 (3.1)	13.5 (29.7)	TWL30-085					5-11/16	144	TWL30-144				
3-7/16	87	TWL15-087					TWL30-087					5-3/4	145	TWL30-145				
	89	TWL15-089					TWL30-089						146	TWL30-146				
3-1/2	90	TWL15-090					TWL30-090					5-13/16	148	TWL30-148				
3-9/16	91	TWL15-091					TWL30-091					5-7/8	149	TWL30-149				
3-5/8	92	TWL15-092					TWL30-092						150	TWL30-150				
3-11/16	94	TWL15-094					TWL30-094					5-15/16	151	TWL30-151	116 (4.6)	400 (15.7)	109 (4.3)	29.5 (64.9)
3-3/4	95	TWL15-095	78 (3.1)	316 (12.4)	80 (3.1)	13.5 (29.7)	TWL30-095	83 (3.3)	393 (15.5)	104 (4.1)	26.5 (58.3)	6	152	TWL30-152				
3-13/16	97	TWL15-097					TWL30-097					6-1/16	154	TWL30-154				
	99	TWL15-388					TWL30-388					6-1/8	155	TWL30-155				
3-7/8	100	TWL15-100					TWL30-100											
4	102	TWL15-102					TWL30-102											
4-1/16	103	TWL15-103					TWL30-103											
4-1/8	105	TWL15-105	82.5 (3.2)	316 (12.4)	80 (3.1)	14 (30.8)	TWL30-105	89 (3.5)	393 (15.5)	104 (4.1)	27.5 (60.5)							
4-3/16	106	TWL15-106					TWL30-106											
4-1/4	108	TWL15-425					TWL30-425											
4-5/16	110	TWL15-110					TWL30-110											
4-3/8	111	TWL15-111					TWL30-111											
4-7/16	113	TWL15-113					TWL30-113											
4-1/2	114	TWL15-114	87.5 (3.4)	316 (12.4)	80 (3.1)	14 (30.8)	TWL30-114	92 (3.6)	393 (15.5)	104 (4.1)	27.5 (60.5)							
	115	TWL15-115					TWL30-115											
4-9/16	116	TWL15-116					TWL30-116											
4-5/8	117	TWL15-463					TWL30-463											
4-11/16	119						TWL30-119	99 (3.9)	400 (15.7)	109 (4.3)	28.5 (62.7)							
4-3/4	120						TWL30-120											



MORE SOLUTIONS ON NEXT PAGE

12 point links available upon request. Please contact factory.

TORQUE WRENCH

LOW CLEARANCE REDUCERS - TWLC

Drive Body, Links & Reducers

Special sizes available upon request.



Specifications and Dimensional Data

Body Order No.	Reference Link No.	Nut A/F		Reducer		Reducer		Reducer		Reducer		Order No.
		mm	in	mm	in	mm	in	mm	in	mm	in	
TWLC2	TWL2-032	32	1-1/4	-	-	-	-	-	-	-	-	-
	TWL2-036	36	1-7/16	-	-	-	-	-	-	-	-	-
	TWL2-041	41	1-5/8	41-36	1-5/8 - 1-7/16	TWR2-041036	41-32	1-5/8 - 1-1/4	TWR2-041032	-	-	-
	TWL2-046	46	1-13/16	46-41	1-13/16 - 1-5/8	TWR2-046041	46-36	1-13/16 - 1-7/16	TWR2-046036	46-32	1-13/16 - 1-1/4	TWR2-046032
	TWL2-050	50	2	50-46	2 - 1-13/16	TWR2-050046	50-41	2 - 1-5/8	TWR2-050041	50-36	2 - 1-7/16	TWR2-050036
	TWL2-055	55	2-3/16	55-50	2-3/16 - 2	TWR2-055050	55-46	2-3/16 - 1-13/16	TWR2-055046	55-41	2-3/16 - 1-5/8	TWR2-055041
	TWL2-060	60	2-3/8	60-55	2-3/8 - 2-3/16	TWR2-060055	60-50	2-3/8 - 2	TWR2-060050	60-46	2-3/8 - 1-13/16	TWR2-060046
TWLC4	TWL4-041	41	1-5/8	41-36	1-5/8 - 1-7/16	TWR4-041036	41-32	1-5/8 - 1-1/4	TWR4-041032	-	-	-
	TWL4-046	46	1-13/16	46-41	1-13/16 - 1-5/8	TWR4-046041	46-36	1-13/16 - 1-7/16	TWR4-046036	46-32	1-13/16 - 1-1/4	TWR4-046032
	TWL4-050	50	2	50-46	2 - 1-13/16	TWR4-050046	50-41	2 - 1-5/8	TWR4-050041	50-36	2 - 1-7/16	TWR4-050036
	TWL4-055	55	2-3/16	55-50	2-3/16 - 2	TWR4-055050	55-46	2-3/16 - 1-13/16	TWR4-055046	55-41	2-3/16 - 1-5/8	TWR4-055041
	TWL4-060	60	2-3/8	60-55	2-3/8 - 2-3/16	TWR4-060055	60-50	2-3/8 - 2	TWR4-060050	60-46	2-3/8 - 1-13/16	TWR4-060046
	TWL4-065	65	2-9/16	65-60	2-9/16 - 2-3/8	TWR4-065060	65-55	2-9/16 - 2-3/16	TWR4-065055	65-50	2-9/16 - 2	TWR4-065050
	TWL4-070	70	2-3/4	70-65	2-3/4 - 2-9/16	TWR4-070065	70-60	2-3/4 - 2-3/8	TWR4-070060	70-55	2-3/4 - 2-3/16	TWR4-070055
	TWL4-075	75	2-15/16	75-70	2-15/16 - 2-3/4	TWR4-075070	75-65	2-15/16 - 2-9/16	TWR4-075065	75-60	2-15/16 - 2-3/8	TWR4-075060
	TWL4-080	80	3-1/8	80-75	3-1/8 - 2-15/16	TWR4-080075	80-70	3-1/8 - 2-3/4	TWR4-080070	80-65	3-1/8 - 2-9/16	TWR4-080065
TWLC8	TWL8-060	60	2-3/8	60-55	2-3/8 - 2-3/16	TWR8-060055	60-50	2-3/8 - 2	TWR8-060050	60-46	2-3/8 - 1-13/16	TWR8-060046
	TWL8-065	65	2-9/16	65-60	2-9/16 - 2-3/8	TWR8-065060	65-55	2-9/16 - 2-3/16	TWR8-065055	65-50	2-9/16 - 2	TWR8-065050
	TWL8-070	70	2-3/4	70-65	2-3/4 - 2-9/16	TWR8-070065	70-60	2-3/4 - 2-3/8	TWR8-070060	70-55	2-3/4 - 2-3/16	TWR8-070055
	TWL8-075	75	2-15/16	75-70	2-15/16 - 2-3/4	TWR8-075070	75-65	2-15/16 - 2-9/16	TWR8-075065	75-60	2-15/16 - 2-3/8	TWR8-075060
	TWL8-080	80	3-1/8	80-75	3-1/8 - 2-15/16	TWR8-080075	80-70	3-1/8 - 2-3/4	TWR8-080070	80-65	3-1/8 - 2-9/16	TWR8-080065
	TWL8-085	85	3-3/8	85-80	3-3/8 - 3-1/8	TWR8-085080	85-65	3-3/8 - 2-15/16	TWR8-085065	85-70	3-3/8 - 2-3/4	TWR8-085070
	TWL8-090	90	3-1/2	90-85	3-1/2 - 3-3/8	TWR8-090085	90-80	3-1/2 - 3-1/8	TWR8-090080	90-75	3-1/2 - 2-15/16	TWR8-090075
	TWL8-095	95	3-3/4	95-90	3-3/4 - 3-1/2	TWR8-095090	95-85	3-3/4 - 3-3/8	TWR8-095085	95-80	3-3/4 - 3-1/8	TWR8-095080
	TWL8-100	100	3-7/8	100-95	3-7/8 - 3-3/4	TWR8-100095	100-90	3-7/8 - 3-1/2	TWR8-100090	100-85	3-7/8 - 3-3/8	TWR8-100085

Ordering Information

TO SPECIFY A TWLC SOLUTION:

1. Find a link for your application (nut size) (page 24-27)
2. Choose the appropriate Drive body (page 23)
3. Add reducers for additional nut sizes (pages 26-29)

Please order Drive Body and Link separately and pay attention to the same size, for Example TWLC2 and TWL2-041.



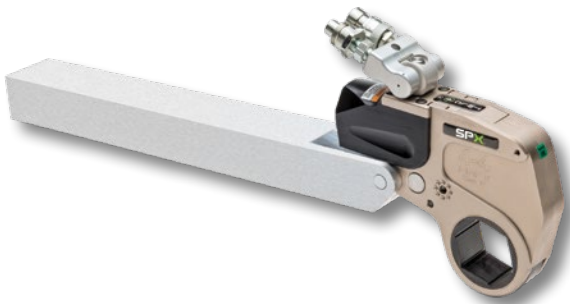
Specifications and Dimensional Data

Body Order No.	Reference Link No.	Nut A/F		Reducer			Reducer			Reducer		
		mm	in	mm	in	Order No.	mm	in	Order No.	mm	in	Order No.
TWLC15	TWL15-070	70	2-3/4	70-65	2-3/4 - 2-9/16	TWR15-070065	70-60	2-3/4 - 2-3/8	TWR15-070060	70-55	2-3/4 - 2-3/16	TWR15-070055
	TWL15-075	75	2-15/16	75-70	2-15/16 - 2-3/4	TWR15-075070	75-65	2-15/16 - 2-9/16	TWR15-075065	75-60	2-15/16 - 2-3/8	TWR15-075060
	TWL15-080	80	3-1/8	80-75	3-1/8 - 2-15/16	TWR15-080075	80-70	3-1/8 - 2-3/4	TWR15-080070	80-65	3-1/8 - 2-9/16	TWR15-080065
	TWL15-085	85	3-3/8	85-80	3-3/8 - 3-1/8	TWR15-085080	85-65	3-3/8 - 2-15/16	TWR15-085065	85-70	3-3/8 - 2-3/4	TWR15-085070
	TWL15-090	90	3-1/2	90-85	3-1/2 - 3-3/8	TWR15-090085	90-80	3-1/2 - 3-1/8	TWR15-090080	90-75	3-1/2 - 2-15/16	TWR15-090075
	TWL15-095	95	3-3/4	95-90	3-3/4 - 3-1/2	TWR15-095090	95-85	3-3/4 - 3-3/8	TWR15-095085	95-80	3-3/4 - 3-1/8	TWR15-095080
	TWL15-100	100	3-7/8	100-95	3-7/8 - 3-3/4	TWR15-100095	100-90	3-7/8 - 3-1/2	TWR15-100090	100-85	3-7/8 - 3-3/8	TWR15-100085
	TWL15-105	105	-	105-100	-	TWR15-105100	105-95	-	TWR15-105095	105-90	-	TWR15-105090
	TWL15-425	-	4-1/4	-	4-1/4 - 3-7/8	TWR15-425388	-	4-1/4 - 3-3/4	TWR15-425375	-	4-1/4 - 3-1/2	TWR15-425350
	TWL15-110	110	-	110-105	-	TWR15-110105	110-100	-	TWR15-110010	110-95	-	TWR15-110095
	TWL15-115	115	-	115-110	-	TWR15-115110	115-105	-	TWR15-115105	115-100	-	TWR15-115100
TWL15-463	-	4-5/8	-	4-5/8 - 4-1/4	TWR15-463425	-	4-5/8 - 3-7/8	TWR15-463388	-	4-5/8 - 3-3/4	TWR15-463375	
TWLC30	TWL30-080	80	3-1/8	80-75	3-1/8 - 2-15/16	TWR30-080075	80-70	3-1/8 - 2-3/4	TWR30-080070	80-65	3-1/8 - 2-9/16	TWR30-080065
	TWL30-085	85	3-3/8	85-80	3-3/8 - 3-1/8	TWR30-085080	85-65	3-3/8 - 2-15/16	TWR30-085065	85-70	3-3/8 - 2-3/4	TWR30-085070
	TWL30-090	90	3-1/2	90-85	3-1/2 - 3-3/8	TWR30-090085	90-80	3-1/2 - 3-1/8	TWR30-090080	90-75	3-1/2 - 2-15/16	TWR30-090075
	TWL30-095	95	3-3/4	95-90	3-3/4 - 3-1/2	TWR30-095090	95-85	3-3/4 - 3-3/8	TWR30-095085	95-80	3-3/4 - 3-1/8	TWR30-095080
	TWL30-100	100	3-7/8	100-95	3-7/8 - 3-3/4	TWR30-100095	100-90	3-7/8 - 3-1/2	TWR30-100090	100-85	3-7/8 - 3-3/8	TWR30-100085
	TWL30-105	105	-	105-100	-	TWR30-105100	105-95	-	TWR30-105095	105-90	-	TWR30-105090
	TWL30-425	-	4-1/4	-	4-1/4 - 3-7/8	TWR30-425388	-	4-1/4 - 3-3/4	TWR30-425375	-	4-1/4 - 3-1/2	TWR30-425350
	TWL30-110	110	-	110-105	-	TWR30-110105	110-100	-	TWR30-110010	110-95	-	TWR30-110095
	TWL30-115	115	-	115-110	-	TWR30-115110	115-105	-	TWR30-115015	115-100	-	TWR30-115100
	TWL30-463	-	4-5/8	-	4-5/8 - 4-1/4	TWR30-463425	-	4-5/8 - 3-7/8	TWR30-463388	-	4-5/8 - 3-3/4	TWR30-463375
	TWL30-120	120	-	120-115	-	TWR30-120115	120-110	-	TWR30-120110	120-105	-	TWR30-120105
	TWL30-500	-	5	-	5 - 4-5/8	TWR30-500463	-	5 - 4-1/4	TWR30-500425	-	5 - 3-7/8	TWR30-500388
	TWL30-130	130	-	130-120	-	TWR30-130120	130-115	-	TWR30-130115	130-110	-	TWR30-130110
	TWL30-135	135	5-3/8	135-125	5-3/8 - 5	TWR30-135125	135-120	5-3/8 - 4-5/8	TWR30-135120	135-115	5-3/8 - 4-1/4	TWR30-135115
	TWL30-145	145	5-3/4									
	TWL30-150	150	-									
TWL30-155	155	6-1/8										
AVAILABLE UPON REQUEST												

TORQUE WRENCH REACTION ARMS - TWLC

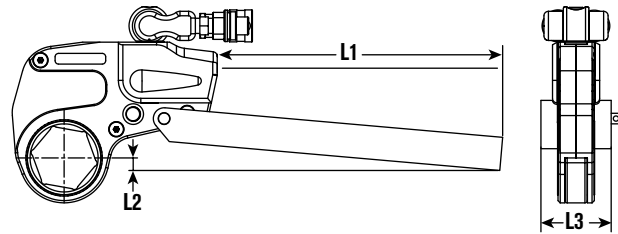
SPX FLOW Bolting Systems offer a varied range of alternative and optional reaction accessories, which help to find a reaction point solution no matter how unusual the bolted application is.

TWLC REACTION BAR TWLC-RB



- In-Line Extension Reaction Bar for TWLC wrench: allows extended reach on the same plane
- Pin engagement, no tools required
- Available for full range of tool sizes

Specifications and Dimensional Data



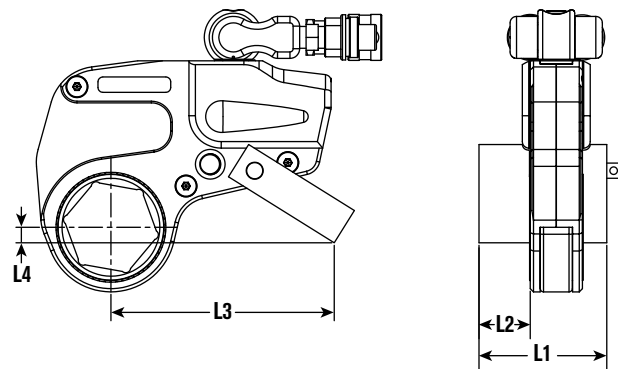
Tool Ref	Order No.	L1		L2		L3		Weight	
		mm	in	mm	in	mm	in	kg	lb
TWLC2	TWLC2-RB	381	15	28	1.10	55	2.17	2.6	5.7
TWLC4	TWLC4-RB	457	18	35	1.38	66	2.60	4.8	10.6
TWLC8	TWLC8-RB	457	18	37	1.46	85	3.35	9	19.8
TWLC15	TWLC15-RB	508	20	40	1.57	102	4.01	14.5	32
TWLC30	TWLC30-RB	508	20	35	1.38	127	5	27	59.5

TWLC REACTION PADDLE TWLC-RP



- Off-Set Reaction Arm for TWLC wrench: allows off-set reaction within wrench profile
- Pin engagement, no tools required
- Light alloy construction
- Available for full range of tool

Specifications and Dimensional Data



Tool Ref	Order No.	L1		L2		L3		L4		Weight	
		mm	in	mm	in	mm	in	mm	in	kg	lb
TWLC2	TWLC2-RP	84	3.31	35	1.38	142	5.59	13	0.51	0.5	1.1
TWLC4	TWLC4-RP	109	4.29	46	1.81	178	7.01	19	0.75	0.9	2
TWLC8	TWLC8-RP	136.5	5.37	57	2.25	220	8.66	26	1.02	1.8	4
TWLC15	TWLC15-RP	165	6.50	70	2.76	252	9.92	45	1.77	3.5	7.7
TWLC30	TWLC30-RP	200	7.874	86	3.39	317	12.48	44	1.73	6	13.2

**HAVE A UNIQUE APPLICATION?
DOES STANDARD PRODUCT NOT FIT?**



CUSTOM REACTION PADS AND REDUCERS ARE AVAILABLE.

Contact SPX FLOW or an authorized distributor for more details

**WHEN NOTHING ELSE WILL WORK,
SPLIT ADAPTERS ARE MADE TO
ORDER AND AVAILABLE UPON
REQUEST.**



**TWLC15 split adapter,
closed position**



**TWLC15 split adapter,
open position**

TORQUE WRENCH SLIMLINE, TWSL

THE SLIMLINE TORQUE WRENCH

The SlimLine Torque Wrench is engineered to fit inaccessible applications with minimal clearance.

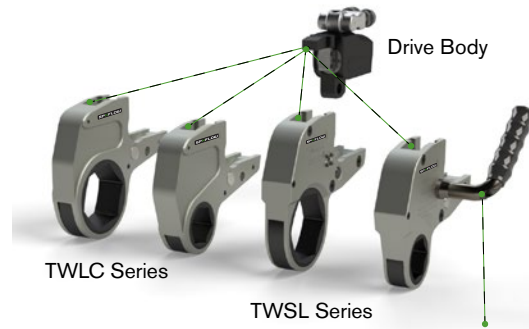
Features & Benefits

- Dynamic engineering modeling (FEA) optimized tool design to extend life and durability
- The SlimLine links use the same quick change Drive Body as the existing TWLC links
- Small nose radius, fits all standard API and ANSI flanges
- Rigid steel body construction with corrosion resistant plating
- Fully enclosed drive mechanism for operator safety
- Swivel manifold has an internal relief valve to prevent retract side over-pressurization
- Multi-axis swivel technology for free positioning of tool and hoses



DRIVE BODY INTERCHANGES WITH THE TWLC & TWSL LINK SIZES

The Drive Body is designed to interchange with the TWLC (Low Clearance) and the new TWSL (SlimLine) Links, lowering your tool investment across each series to broaden your application reach.



Optional Handle Order #: **DFTAS000002**

*Contact your nearest SPXFLOW Bolting Systems sales representative for assistance in sizing the proper tool for your application, or go to spxboltingsystems.com website for details about other available link sizes not listed.

Specifications and Dimensional Data

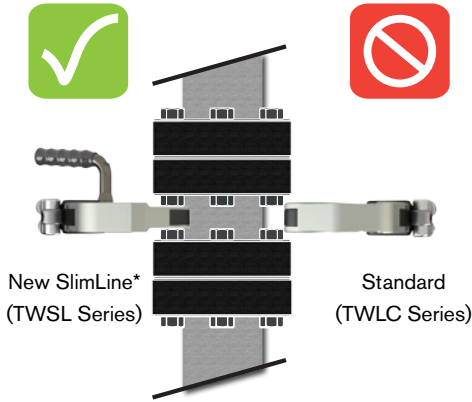
Size	A	B	C	D	E	F	G
	mm (In)	mm (In)	mm (In)	mm (In)	mm (In)	mm (In)	mm (In)
TWLC2	145 (5.71)	114 (4.49)	128 (5.04)	184.5 (7.26)	8.8 (0.35)	25.0 (0.98)	42.00 (1.65)
TWLC4	168.1 (6.61)	137.0 (5.39)	168.0 (6.61)	224.3 (8.83)	10.72 (0.42)	30.5 (1.20)	52.00 (2.04)

Torque Wrench Drive Body Ordering Information for SlimLine

Drive Body Order No.	Hex Range for SlimLine				SlimLine Min Torque		SlimLine Max. Torque		Weight (Body Only)	
	mm	mm	in	in	Nm	lb-ft	Nm	lb-ft	kg	lb
TWLC2	28	60	1-1/8	2-3/8	301	222	1,681 ~ 2,508	1,240 ~ 1,850	1.0	2.2
TWLC4	46	80	1-13/16	3-1/8	685	505	3,578 ~ 5,708*	2,639 ~ 4,210*	2.0	4.4
TWLC8	57	100	2-1/4	3-15/16	Contact Factory for Details				3.5	7.7

Note: Links are sold separately from the drive body, refer to the tables below.

SlimLine Application Range



Due to the compact design, the maximum torque of the TWSL links vary depending on link size, * reference the information below for complete details.

The TWSL's narrow width and reduced radius design enables the tool to fit into tight areas where standard low clearance links cannot.

* Shown with optional handle, order # **DFTAS000001** for TWSL2, **DFTAS000002** for TWSL4 & TWSL8.

Torque Wrench Link Ordering Information for SlimLine

Link Order No.	Hex Range for SlimLine				SlimLine Min Torque		SlimLine Max. Torque		Weight (Link Only)	
	mm	mm	in	in	Nm	lb-ft	Nm	lb-ft	kg	lb
TWSL2-#	28	60	1-1/8	2-3/8	301	222	1,681 - 2,508	1,240 - 1,850	1.9 - 2.05	4.2 - 4.5
TWSL4-#	46	80	1-13/16	3-1/8	685	505	3,578 ~ 5,708*	2,639 ~ 4,210*	3.7 - 3.8	8.0 - 8.4
TWSL8-#	57	100	2-1/4	3-15/16			Contact Factory for Details			

Note: The “#” suffix will be replaced with the actual link size in a numeric value.

TWSL2 SlimLine Link Reference Table*

Nut A/F		Link Order No.	Max. Torque		Weight (Link Only)	
mm	in		Nm	lb-ft	kg	lb
32	1-1/4	TWSL2-032	1,681	1,240	1.87	4.1
36	1-7/16	TWSL2-036	1,939	1,430	1.90	4.2
41	1-5/8	TWSL2-041	2,169	1,600	1.93	4.3
46	1-13/16	TWSL2-046	2,508	1,850	1.95	4.3
50	2	TWSL2-050	2,508	1,850	1.96	4.3
55	2-3/16	TWSL2-055	2,508	1,850	1.98	4.4
60	2-3/8	TWSL2-060	2,508	1,850	1.99	4.4

TWSL4 SlimLine Link Reference Table*

Nut A/F		Link Order No.	Max. Torque		Weight (Link Only)	
mm	in		Nm	lb-ft	kg	lb
46	1-13/16	TWSL4-046	3,578	2,639	3.65	8
50	2	TWSL4-050	4,435	3,271	3.72	8.2
55	2-3/16	TWSL4-055	4,838	3,568	3.74	8.2
60	2-3/8	TWSL4-060	5,243	3,867	3.78	8.3
65	2-9/16	TWSL4-065	5,708	4,210	3.79	8.4
70	2-3/4	TWSL4-070	5,708	4,210	3.81	8.4
75	2-15/16	TWSL4-075	5,708	4,210	3.83	8.4
80	3-1/8	TWSL4-080	5,708	4,210	3.82	8.4