

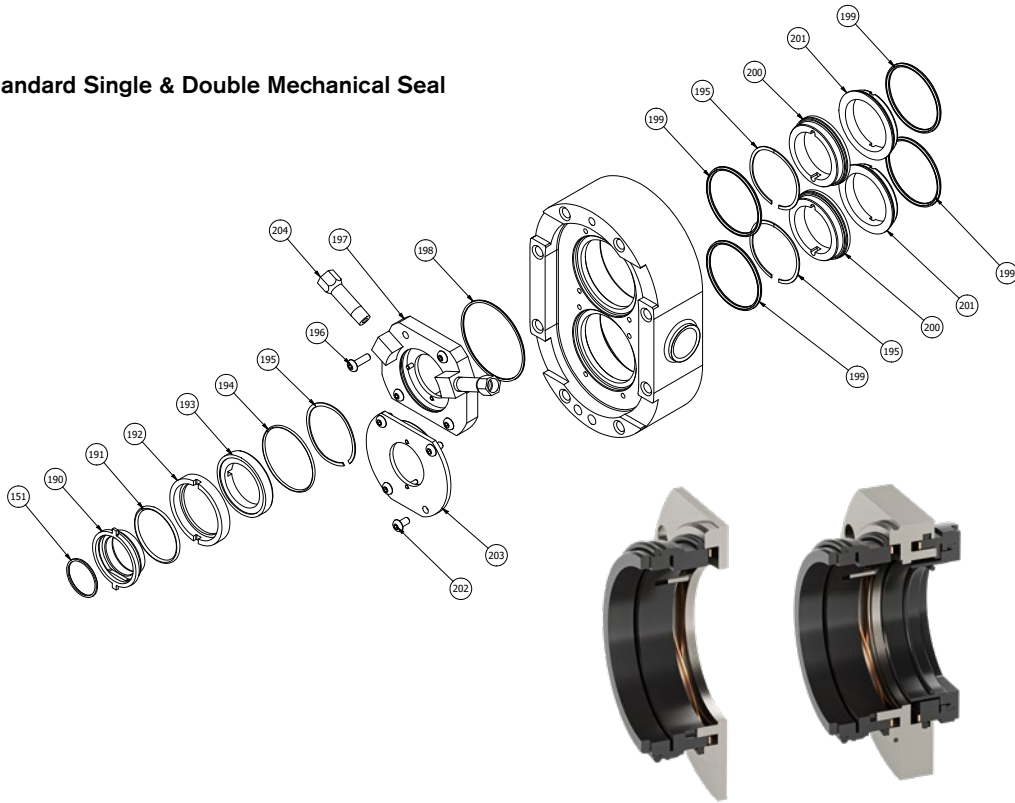
Universal 3

SEAL REFERENCE CHART

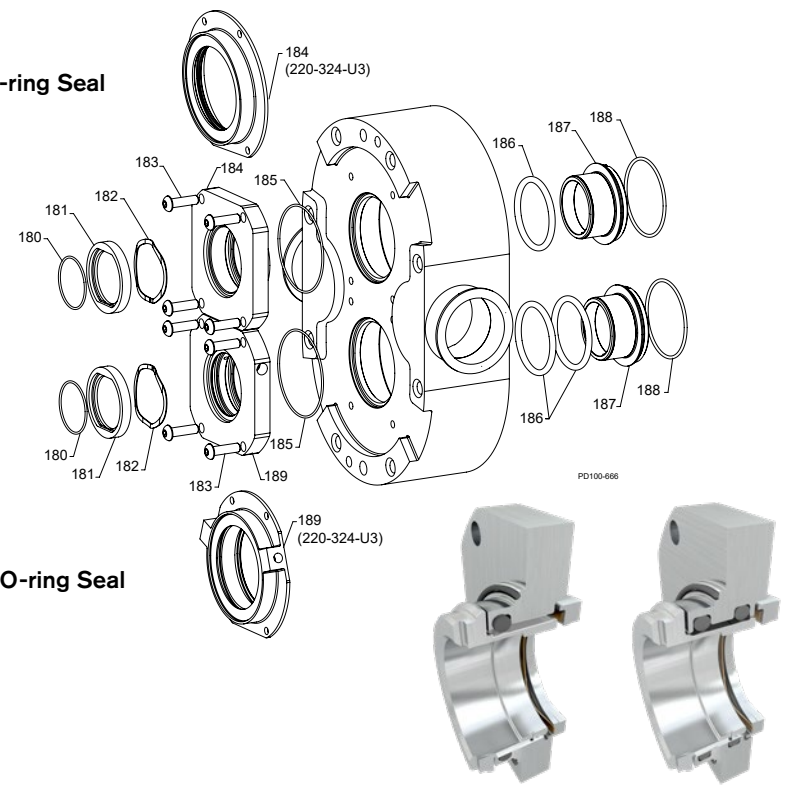
Waukesha Cherry-Burrell®

SPXFLOW®
GENUINE PARTS

Standard Single & Double Mechanical Seal



Single O-ring Seal



UNIVERSAL 3 SINGLE/DOUBLE MECHANICAL SEALS

| ITEM NO. | DESCRIPTION | | QTY. PER PUMP | | PART NO. (BY MODEL) | | | | | NOTES |
|----------|-------------------------------|-------|---------------|--------|-----------------------|------------------|----------------------------|-----------------------|------------------------|-------|
| | | | SINGLE | DOUBLE | 006, 014, 015, 018 U3 | 030, 034, 040 U3 | 045, 060, 064, 130, 134 U3 | 180, 184, 220, 224 U3 | 210, 214, 320, 324, U3 | |
| | | | | | | | | | | |
| 151 | O-ring, Adjusting Ring | EPDM | N/A | 2 | E70023 | E70031 | E70149 | | | |
| | | FKM | | | V70023 | V70031 | V70149 | | | |
| 190 | Adjusting Ring | | N/A | 2 | 141988+ | 142473+ | 142489+ | | | |
| 191 | O-ring, Adjusting Ring | EPDM | N/A | 2 | E70130 | E70144 | E70243 | | | |
| | | FKM | | | V70130 | V70144 | V70243 | | | |
| 192 | Flush-Side Rotary Seal | SC | N/A | 2 | 141989+ | 142474+ | 142490+ | | | |
| 193 | Flush-Side Stationary Seal | C | N/A | 2 | 141990+ | 142475+ | 142491+ | | | |
| 194 | O-ring, Flush Side Stationary | EPDM | N/A | 2 | E70033 | E70147 | E70158 | | | |
| | | FKM | | | V70033 | V70147 | V70158 | | | |
| 195 | Wave Spring | | 2 | 4 | 142102+ | 142484+ | 142500+ | | | |
| 196 | Seal Housing Bolt DM | | N/A | 8 | 30-26 | 30-745 | 30-725 | 30-743 | 30-725 | |
| 197 | Seal Housing DM | | N/A | 2 | 141991+ | 142485+ | 142487+ | 142501+ | 142503+ | |
| 198 | O-ring Seal Housing | EPDM | N/A | 2 | E70036 | E70041 | E70249 | | | |
| | | FKM | | | V70036 | V70041 | V70249 | | | |
| 199 | O-ring Product Side | EPDM | 4 | 4 | E70135 | E70147 | E70247 | | | |
| | | FKM | | | V70135 | V70147 | V70247 | | | |
| 200 | Product side stationary seal | C | 2 | 2 | 141992+ | 142476+ | 142492+ | | | |
| | | SC | | | 141993+ | 142477+ | 142493+ | | | |
| | | TC | | | 141994+ | 142478+ | 142494+ | | | |
| | | SC NF | | | 141995+ | 142479+ | 142495+ | | | |
| | | SC NF | | | 141996+ | 142480+ | 142496+ | | | |
| | | TC NF | | | 141997+ | 142481+ | 142497+ | | | |
| 201 | Product side rotary seal | SC | 2 | 2 | 141998+ | 142482+ | 142498+ | | | |
| | | TC | | | 141999+ | 142483+ | 142499+ | | | |
| 202 | Seal Housing Bolt SM | | 8 | N/A | 30-546 | 30-741 | 30-296 | 30-775 | | |
| 203 | Seal Housing SM | | 2 | N/A | 142000+ | 142486+ | 142488+ | 142502+ | 142504+ | |
| 204 | Flush Extension | NPT | N/A | 4 | 141189+ | | 141190+ | | | |
| | | BSP | | | 141191+ | | 141192+ | | | |

UNIVERSAL 3 SINGLE/DOUBLE O-RING SEALS

| ITEM NO. | DESCRIPTION | | QTY. PER PUMP | | PART NO. (BY MODEL) | | | | | NOTES |
|----------|--------------------------------------|--------|---------------|--------|-----------------------|------------------|----------------------------|-----------------------|------------------------|-------|
| | | | DOUBLE | SINGLE | 006, 014, 015, 018 U3 | 030, 034, 040 U3 | 045, 060, 064, 130, 134 U3 | 180, 184, 220, 224 U3 | 210, 214, 320, 324, U3 | |
| | | | | | | | | | | |
| 180 | O-ring sleeve, black | EPDM | 2 | 2 | E70024 | E70031 | E70150 | | | |
| | | FKM | | | V70024 | V70031 | V70150 | | | |
| 181 | Spring Seat, O-ring Seal | | 2 | 2 | 138467+ | 138442+ | 139115+ | | | |
| 182 | Wave Spring | | 2 | 2 | 139799+ | 101685+ | 101688+ | | | |
| 183 | Button Socket Head Cap Screw (BSHCS) | Single | 2 | 2 | 30-546 | 30-742 | 30-741 | | | |
| | | Double | | | 30-747 | | | | | |
| 184 | Housing, Single O-ring Seal | | N/A | 2 | 138470+ | 138424+ | 138425+ | 139098+ | 139099+ | |
| 185 | O-ring seal housing | EPDM | 2 | 2 | E70036 | E70041 | L25071004 | | | |
| | | FKM | | | V70036 | V70041 | L25071002 | | | |
| 186 | O-ring seal | EPDM | 4 | 2 | E70326 | E70331 | E70343 | | | |
| | | FKM | | | V70326 | V70331 | V70343 | | | |
| 187 | Sleeve, O-ring Seal | COX | 2 | 2 | 138465+ | 138428+ | 139116+ | | | |
| | | SS | | | 140543+ | 140544+ | 140545+ | | | |
| 188 | O-ring, sleeve front | EPDM | 2 | 2 | E70135 | E70147 | E70248 | | | |
| | | FKM | | | V70135 | V70147 | V70248 | | | |
| 189 | Housing, Double O-ring Seal | | 2 | N/A | 138466+ | 138426+ | 138427+ | 139095+ | 139097+ | |

NOTES:
 * Recommended Spare Parts
 1. Does not apply to U3 pumps 180-U3 and larger
 2. Wave Spring Kit contains 1 wave spring and 1 drive ring.

Abbreviation Key:
 SM Single Mechanical
 DM Double Mechanical
 C Carbon
 SC Silicon Carbide
 TC Tungsten Carbide
 NF Narrow Face

SPX FLOW, Inc.
 611 Sugar Creek Road
 Delavan, WI 53115
 P: (262) 728-1900 or (800) 252-5200

SPX FLOW, Inc. reserves the right to incorporate our latest design and material changes without notice or obligation. Design features, materials of construction and dimensional data, as described in this bulletin, are provided for your information only and should not be relied upon unless confirmed in writing. Please contact your local sales representative for product availability in your region. For more information, visit www.spxflow.com.
 The green " » " is a trademark of SPX FLOW, Inc.

ISSUED 01/2023 PP-003 COPYRIGHT © 2022 SPX FLOW, Inc.

SEAL KIT CHARTS



WHERE TO BUY

